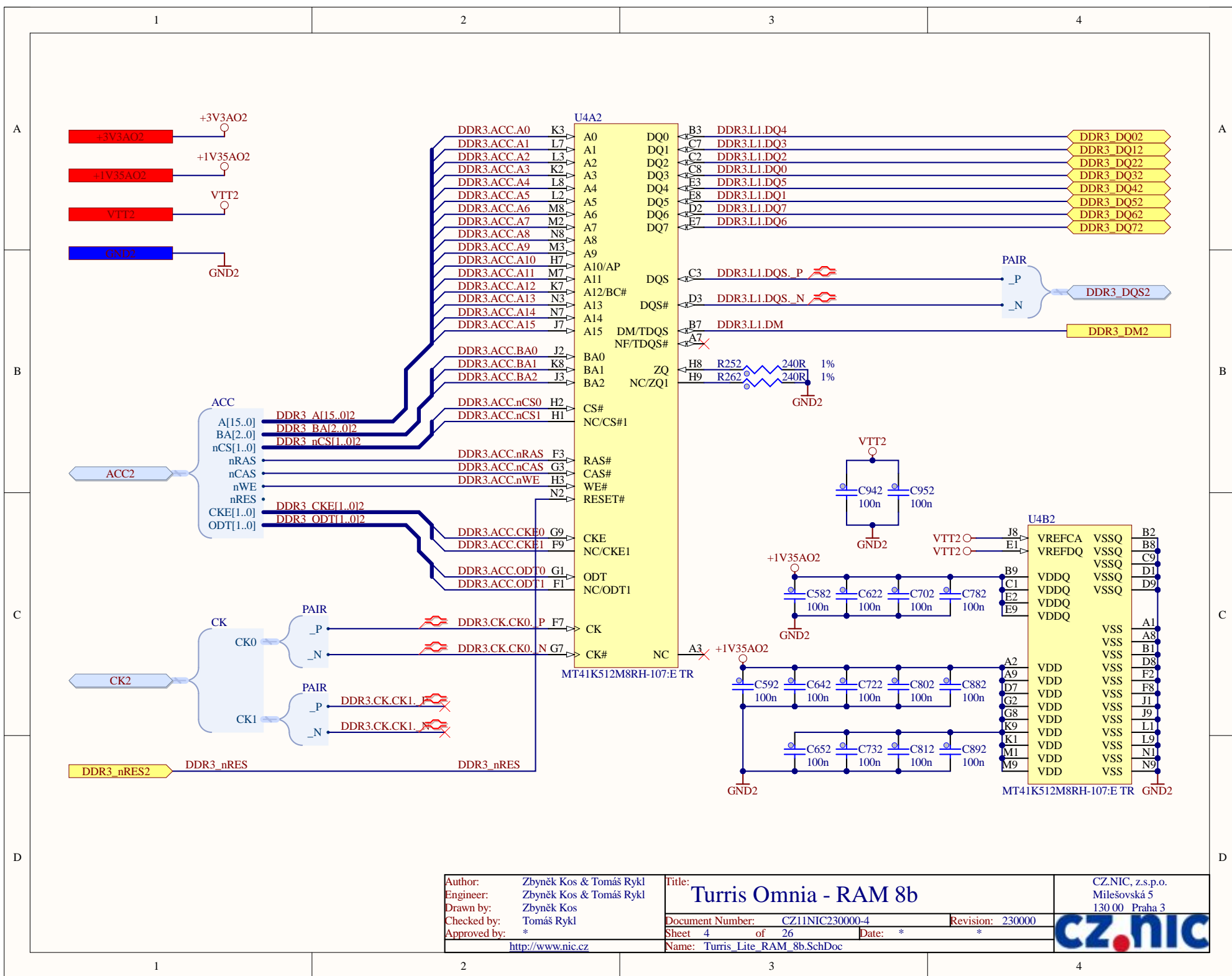


Author: Zbyněk Kos & Tomáš Rykl
 Engineer: Zbyněk Kos & Tomáš Rykl
 Drawn by: Zbyněk Kos
 Checked by: Tomáš Rykl
 Approved by: *

Title: **Turris Omnia - RAM 8b**
 Document Number: CZ11NIC230000-4
 Sheet 4 of 26
 Name: Turris_Lite_RAM_8b.SchDoc

CZ.NIC, z.s.p.o.
 Milešovská 5
 130 00 Praha 3
CZ.nic



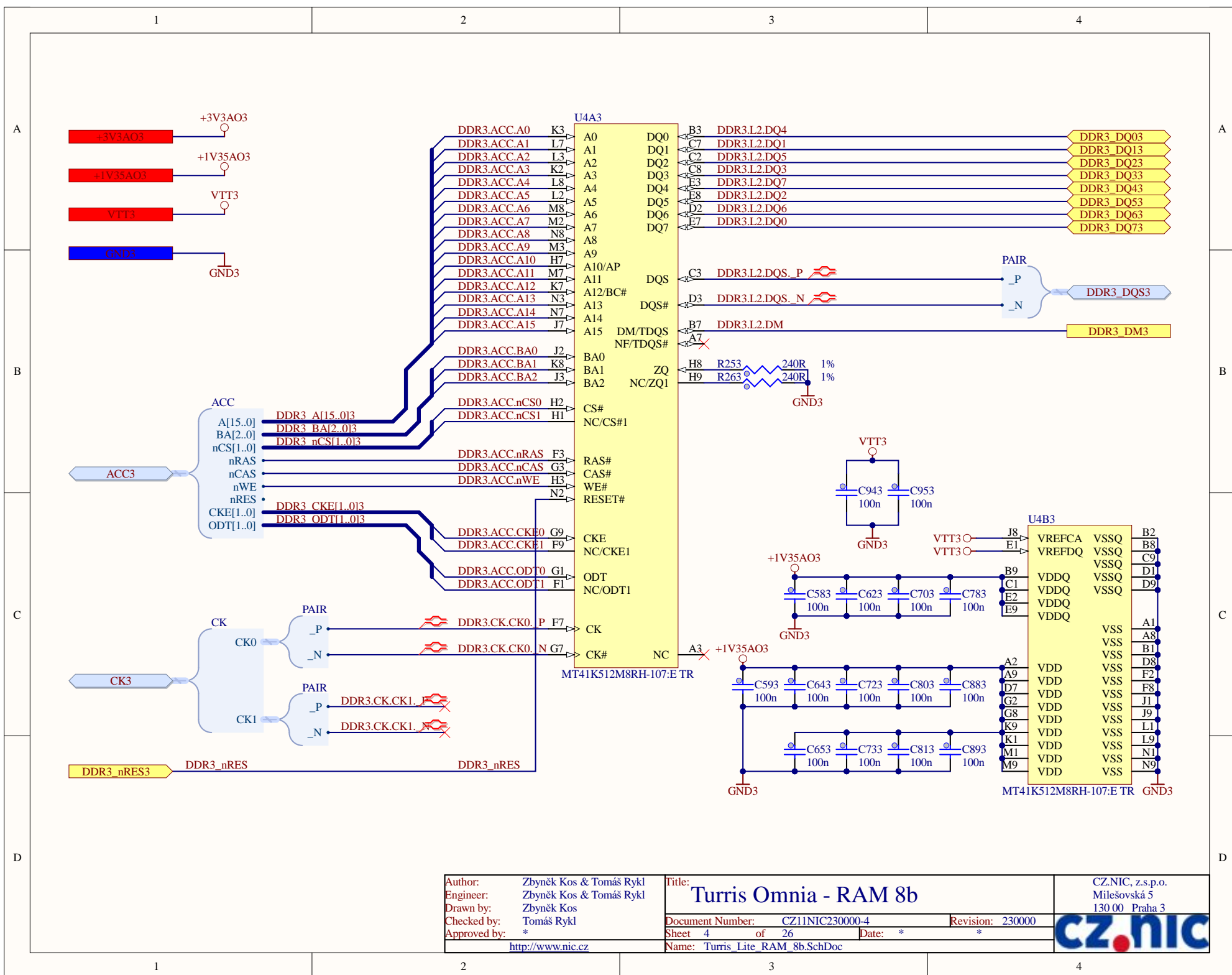
Author: Zbyněk Kos & Tomáš Rykl
 Engineer: Zbyněk Kos & Tomáš Rykl
 Drawn by: Zbyněk Kos
 Checked by: Tomáš Rykl
 Approved by: *

Title: **Turris Omnia - RAM 8b**

Document Number: CZ11NIC230000-4 Revision: 230000
 Sheet 4 of 26 Date: * *
 Name: Turris_Lite_RAM_8b.SchDoc

CZ.NIC, z.s.p.o.
 Milešovská 5
 130 00 Praha 3

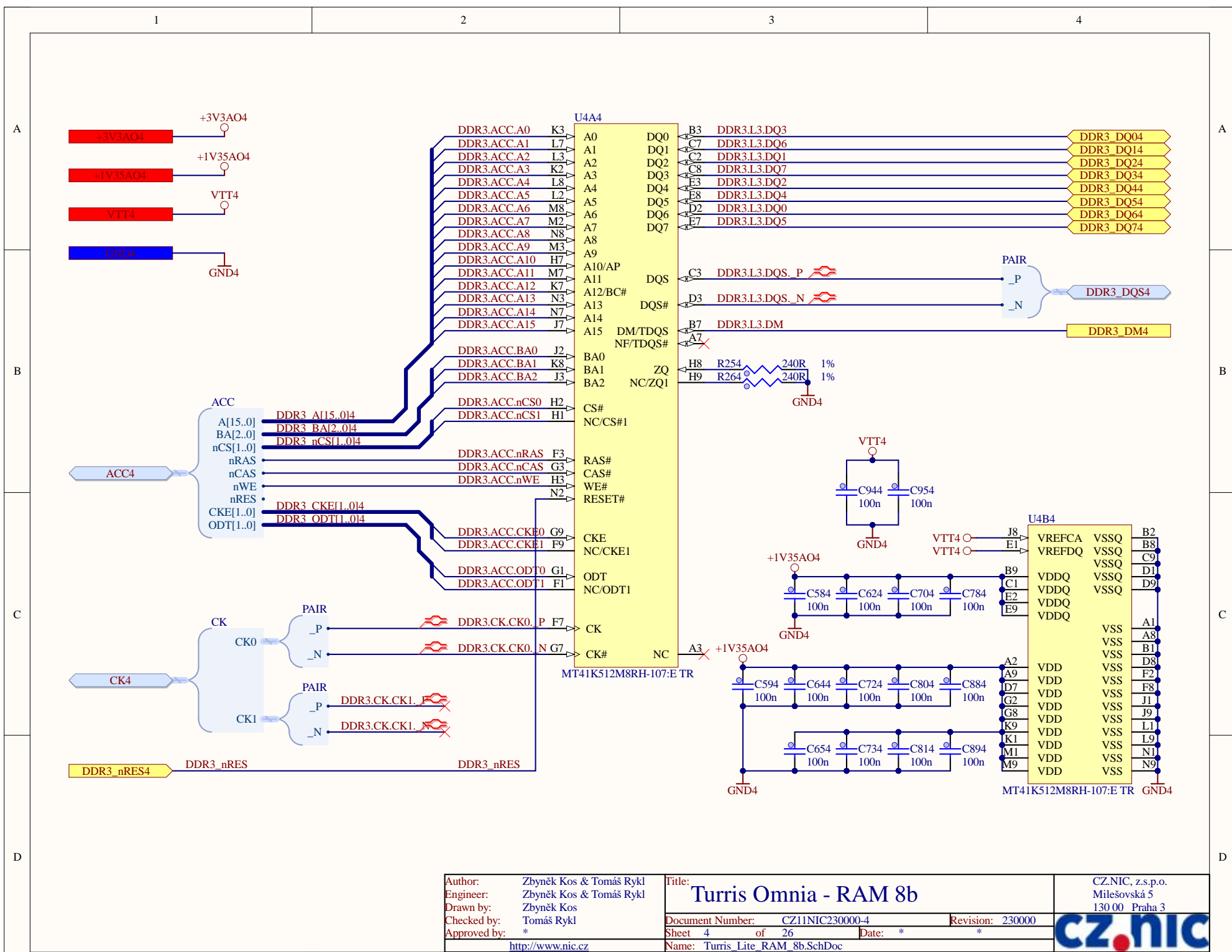




Author: Zbyněk Kos & Tomáš Rykl
 Engineer: Zbyněk Kos & Tomáš Rykl
 Drawn by: Zbyněk Kos
 Checked by: Tomáš Rykl
 Approved by: *

Title: **Turris Omnia - RAM 8b**
 Document Number: CZ11NIC230000-4
 Sheet 4 of 26
 Name: Turris_Lite_RAM_8b.SchDoc

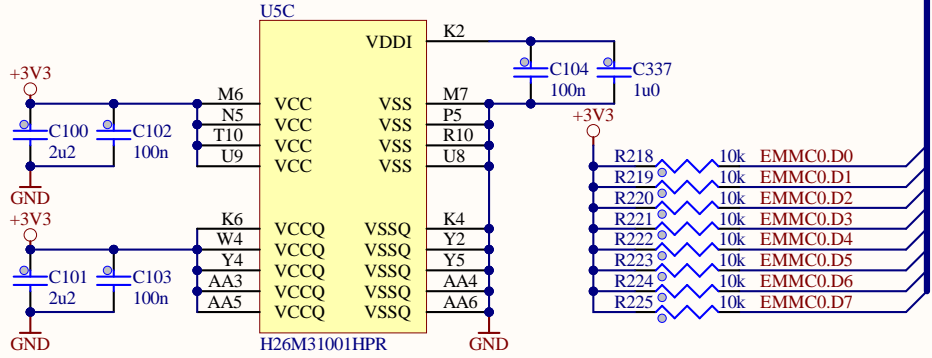
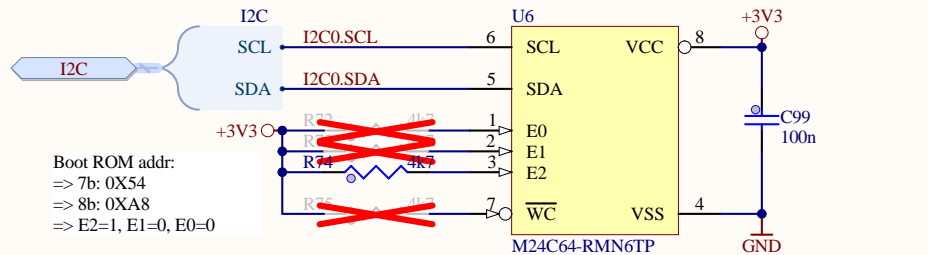
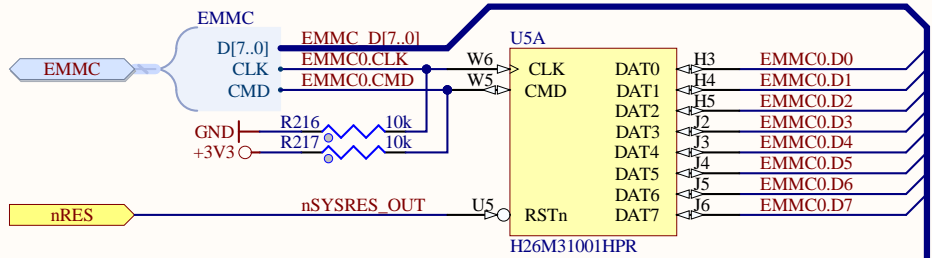
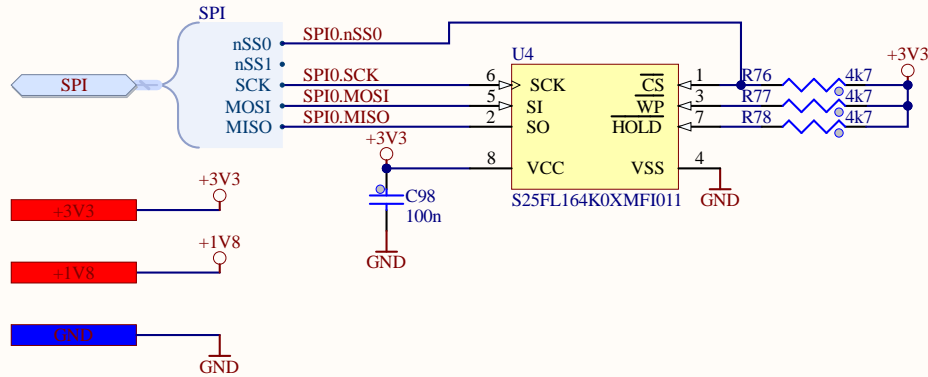
CZ.NIC, z.s.p.o.
 Milešovská 5
 130 00 Praha 3
CZ.nic



Author: Zbyněk Kos & Tomáš Rykl
 Engineer: Zbyněk Kos & Tomáš Rykl
 Drawn by: Zbyněk Kos
 Checked by: Tomáš Rykl
 Approved by: *

Title: **Turris Omnia - RAM 8b**
 Document Number: CZ11NIC230000-4
 Sheet 4 of 26
 Name: Turris_Lite_RAM_8b.SchDoc

CZ.NIC, z.s.p.o.
 Milešovská 5
 130 00 Praha 3
CZ.nic



A

B

C

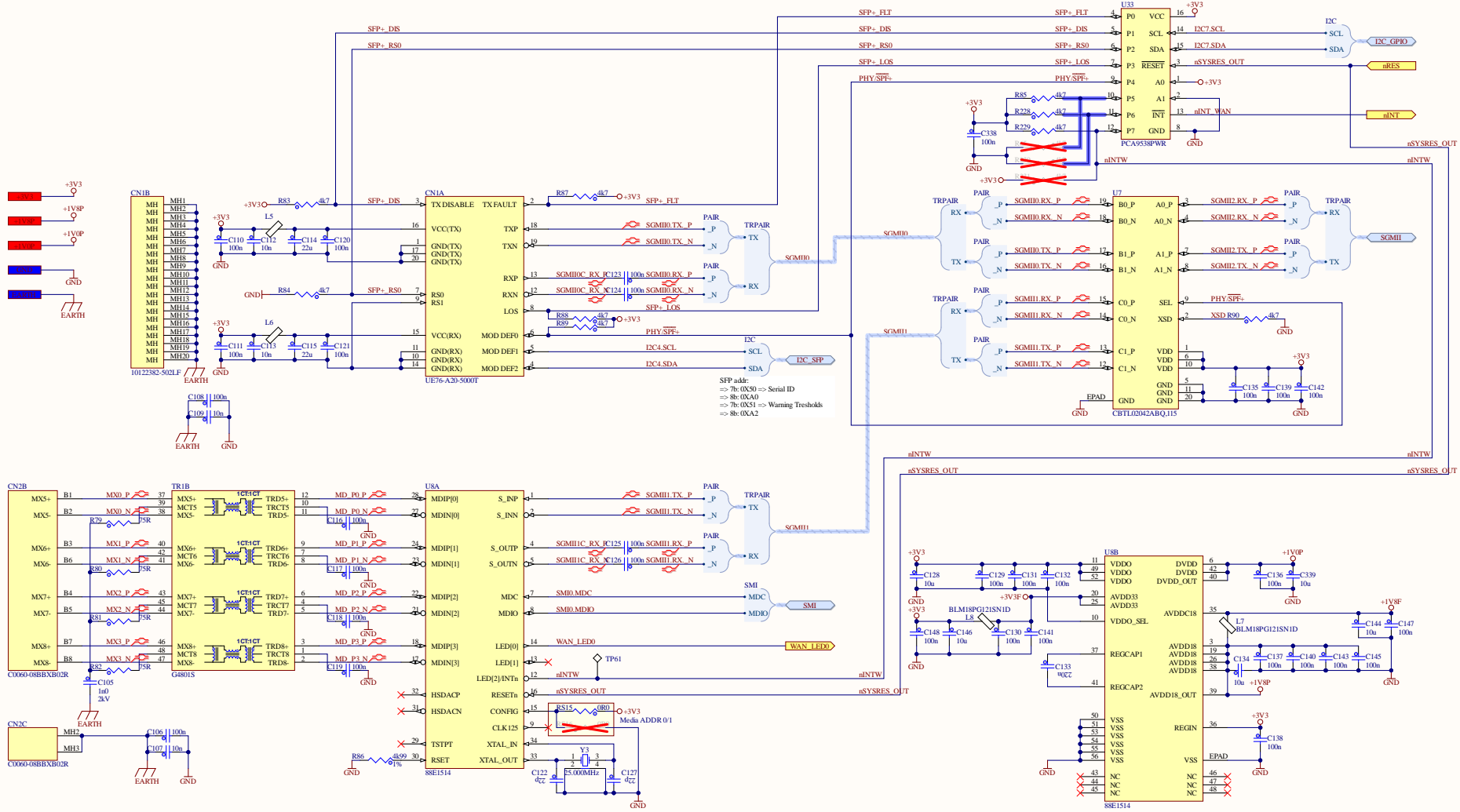
D

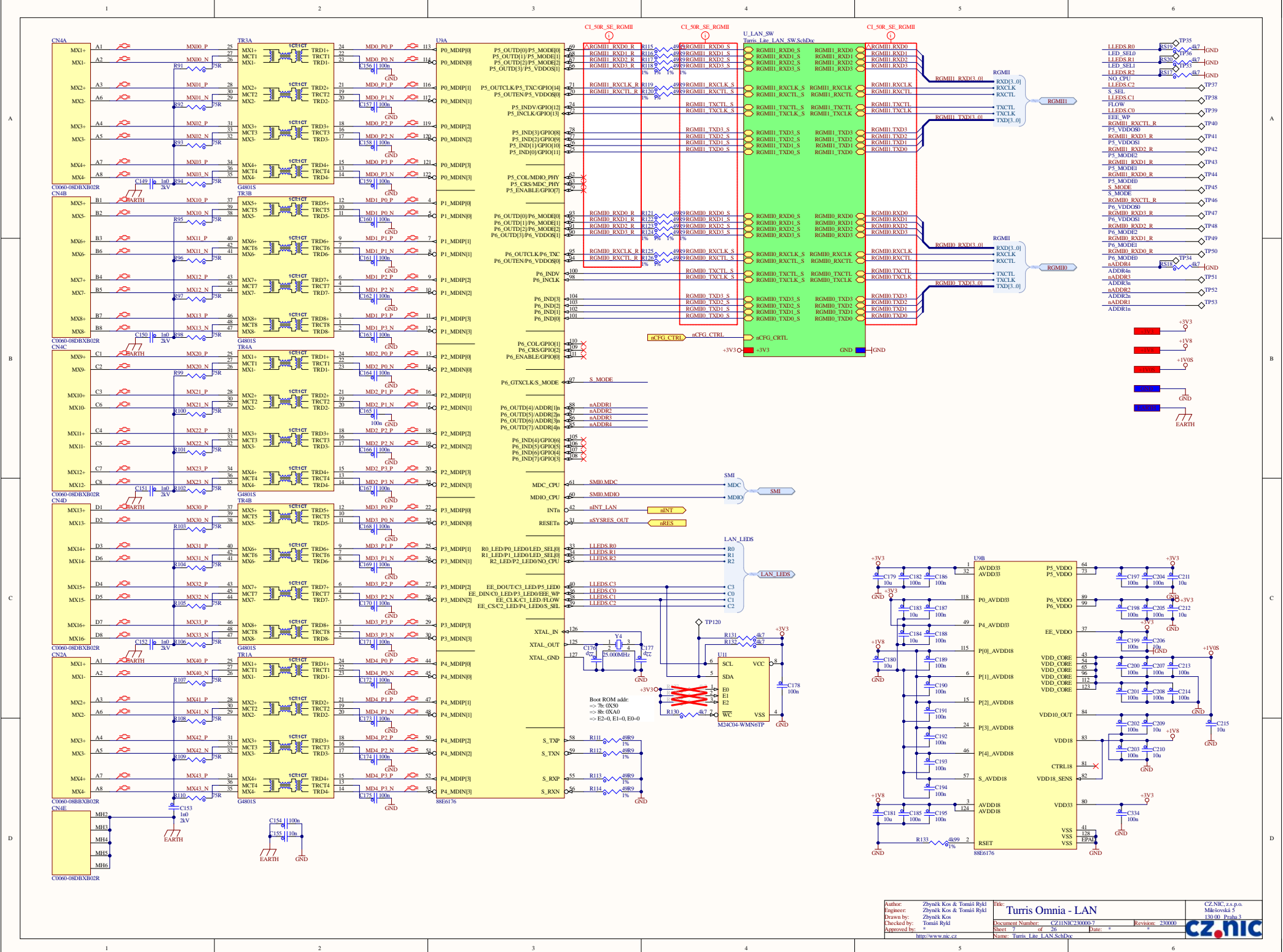
A

B

C

D





A

A

B

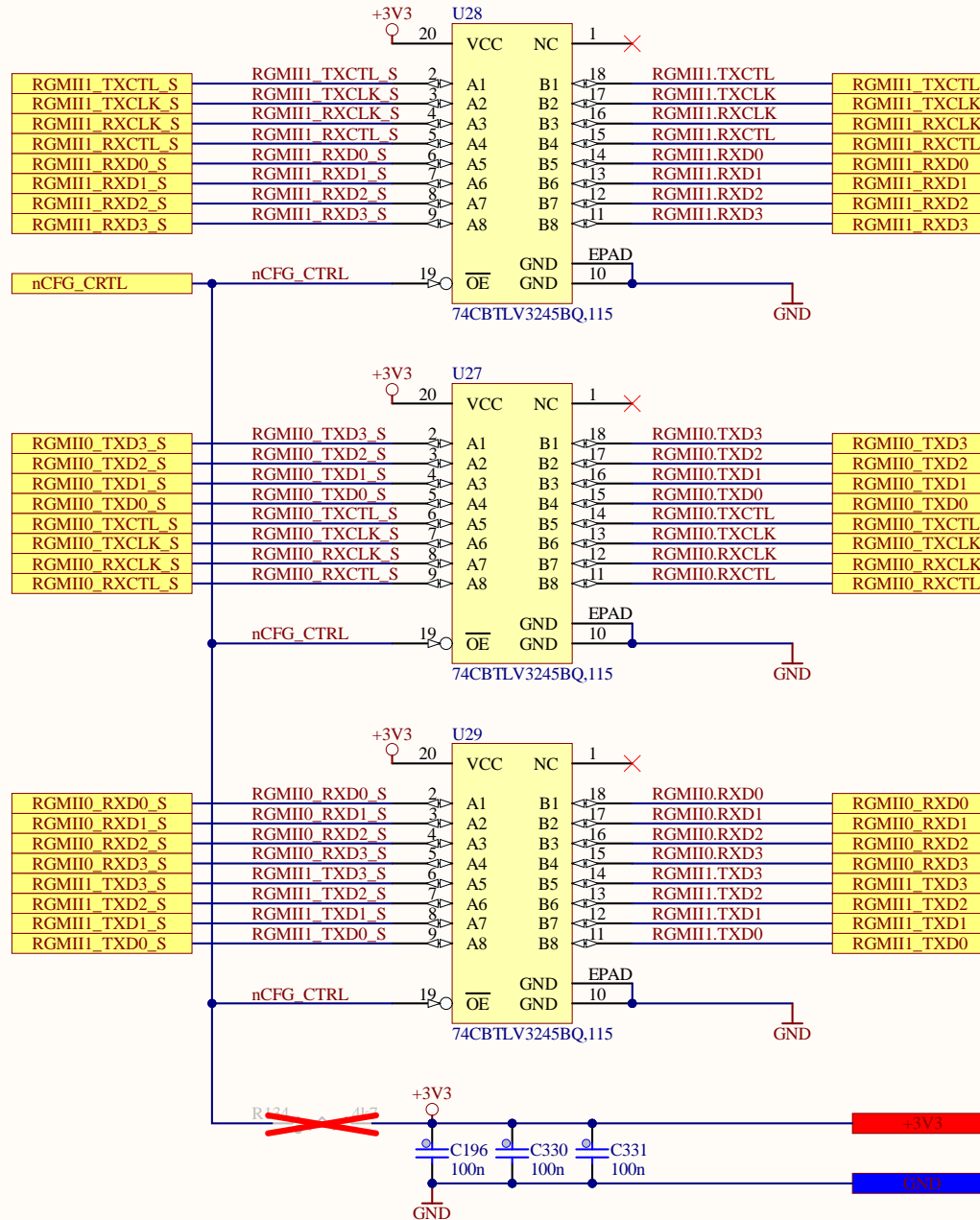
B

C

C

D

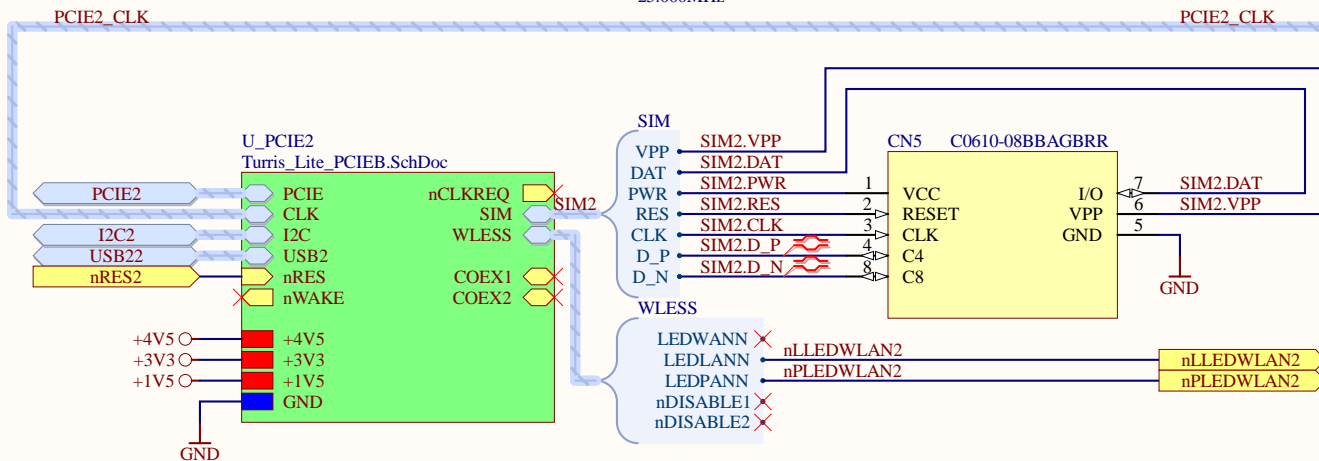
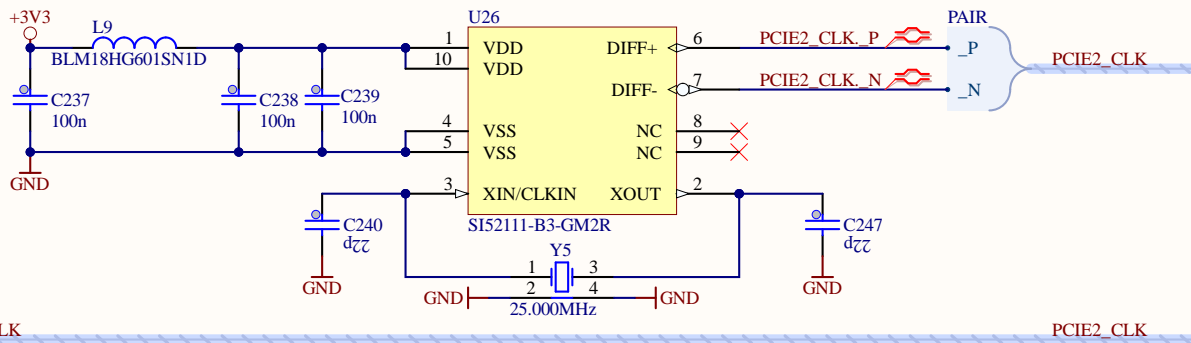
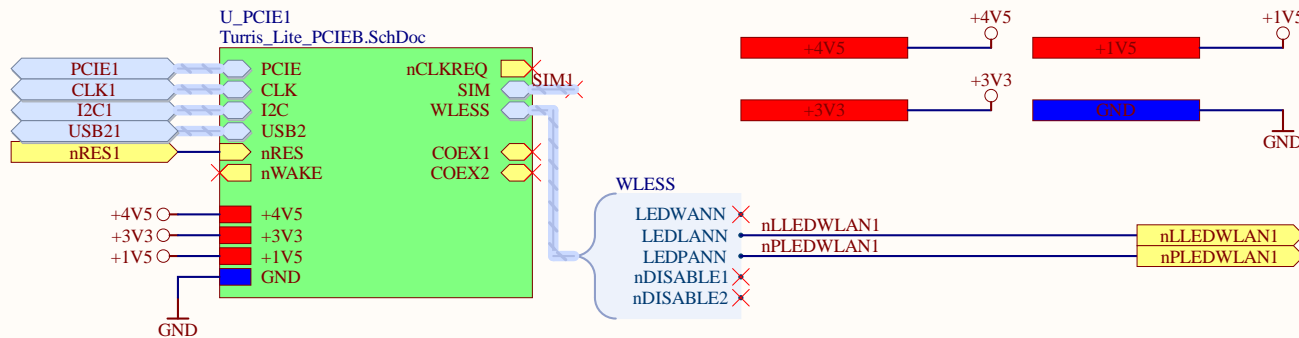
D



Author: Zbyněk Kos & Tomáš Rykl
 Engineer: Zbyněk Kos & Tomáš Rykl
 Drawn by: Zbyněk Kos
 Checked by: Tomáš Rykl
 Approved by: *

Title: **Turris Omnia - LAN - Switch**
 Document Number: CZ11NIC230000-8
 Sheet 8 of 26
 Name: Turris_Lite_LAN_SW.SchDoc

CZ.NIC, z.s.p.o.
 Milešovská 5
 130 00 Praha 3
CZ.nic



Author: Zbyněk Kos & Tomáš Rykl
 Engineer: Zbyněk Kos & Tomáš Rykl
 Drawn by: Zbyněk Kos
 Checked by: Tomáš Rykl
 Approved by: *

Title: **Turris Omnia - PCIE**

Document Number: CZ11NIC230000-9

Revision: 230000

Sheet 9 of 26

Date: * *

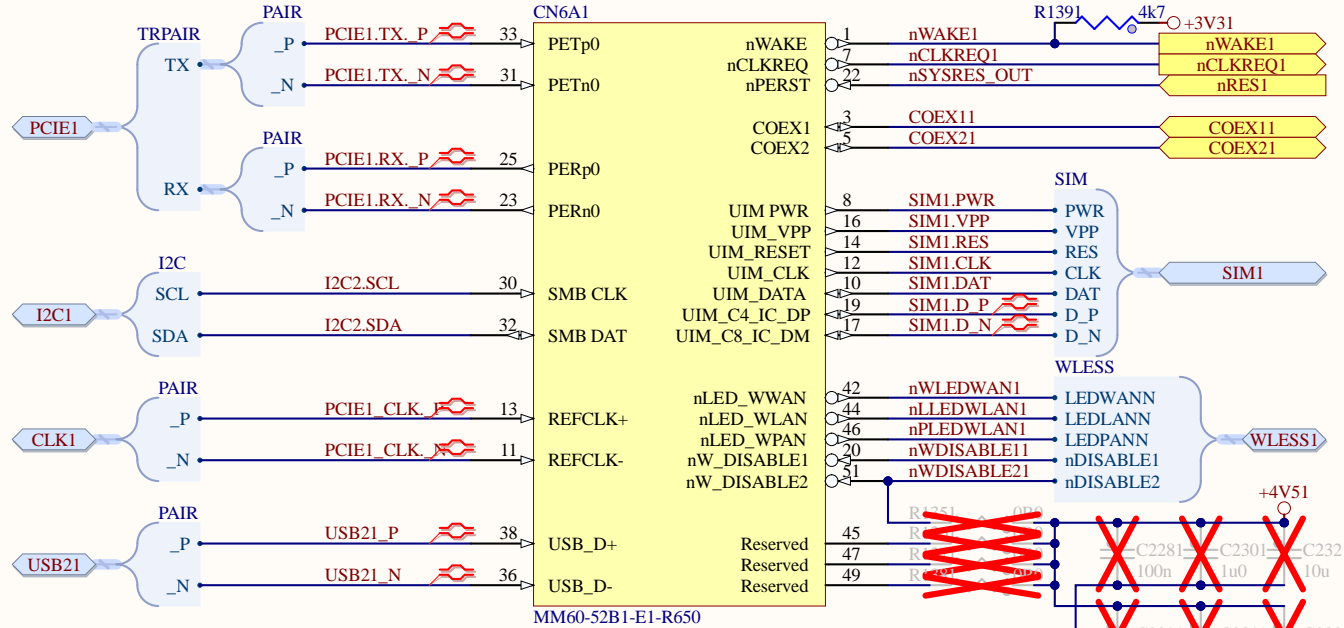
Name: Turris_Lite_PCIE.SchDoc

CZ.NIC, z.s.p.o.
 Milešovská 5
 130 00 Praha 3



A

A

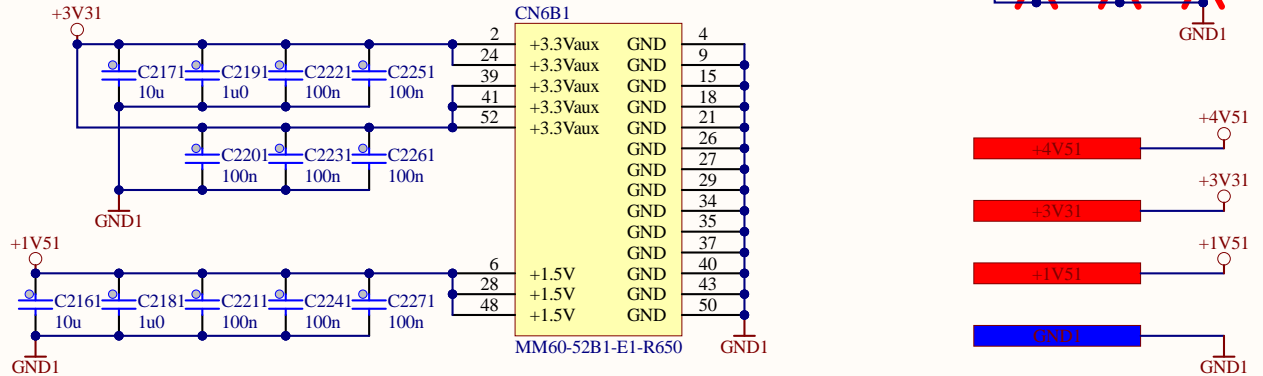


B

B

C

C



D

D

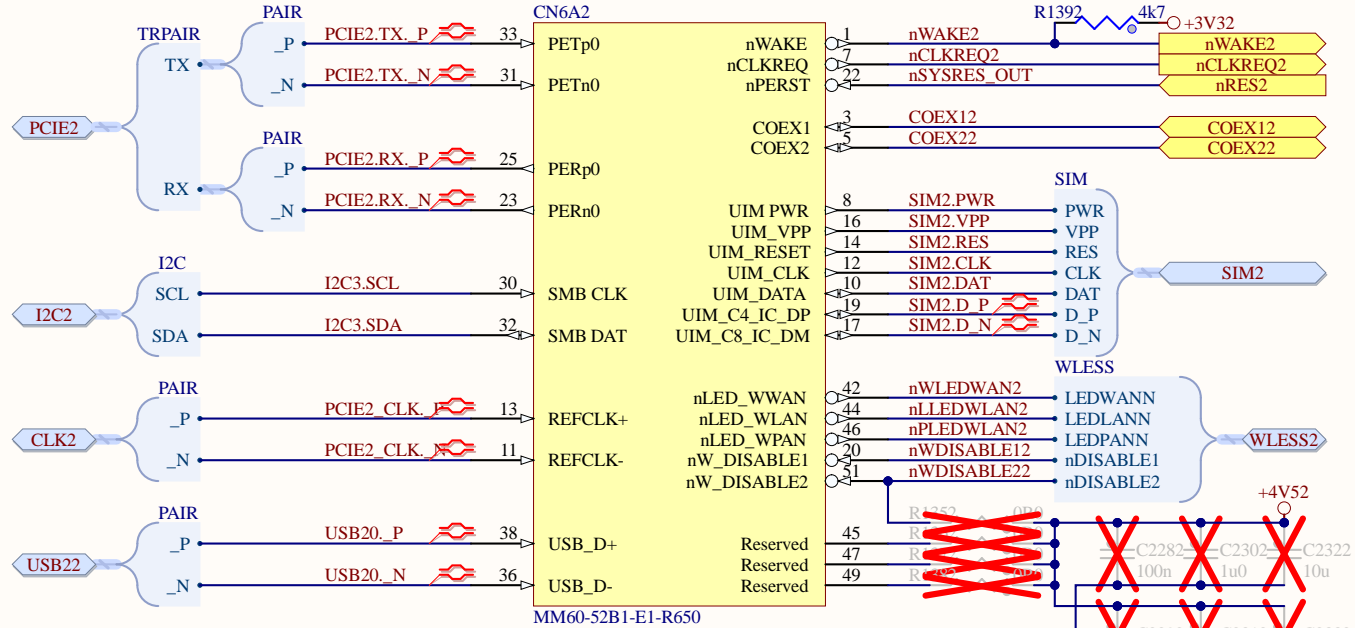
Author: Zbyněk Kos & Tomáš Rykl
 Engineer: Zbyněk Kos & Tomáš Rykl
 Drawn by: Zbyněk Kos
 Checked by: Tomáš Rykl
 Approved by: *
<http://www.nic.cz>

Title: **Turris Omnia - PCIE - Single Slot**
 Document Number: CZ11NIC230000-10 Revision: 230000
 Sheet 10 of 26 Date: * *
 Name: Turris_Lite_PCIEB.SchDoc

CZ.NIC, z.s.p.o.
 Milešovská 5
 130 00 Praha 3

A

A

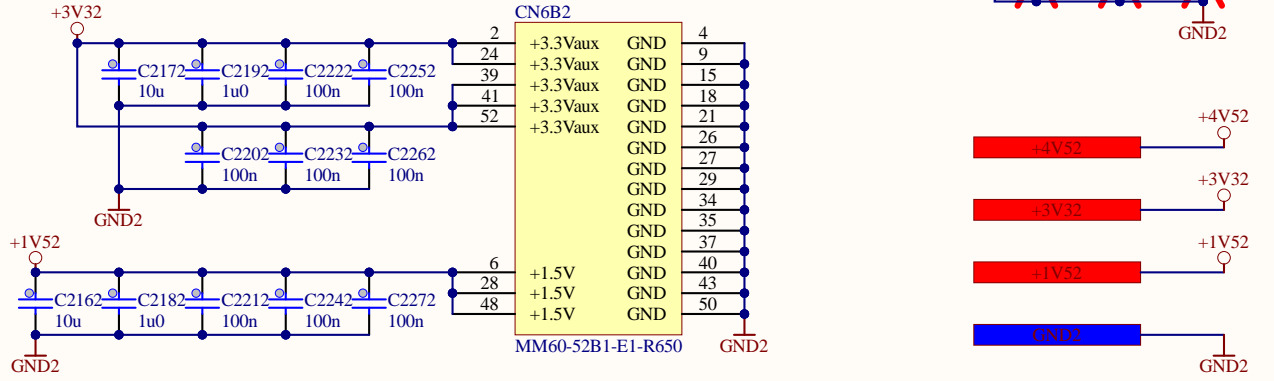


B

B

C

C



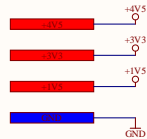
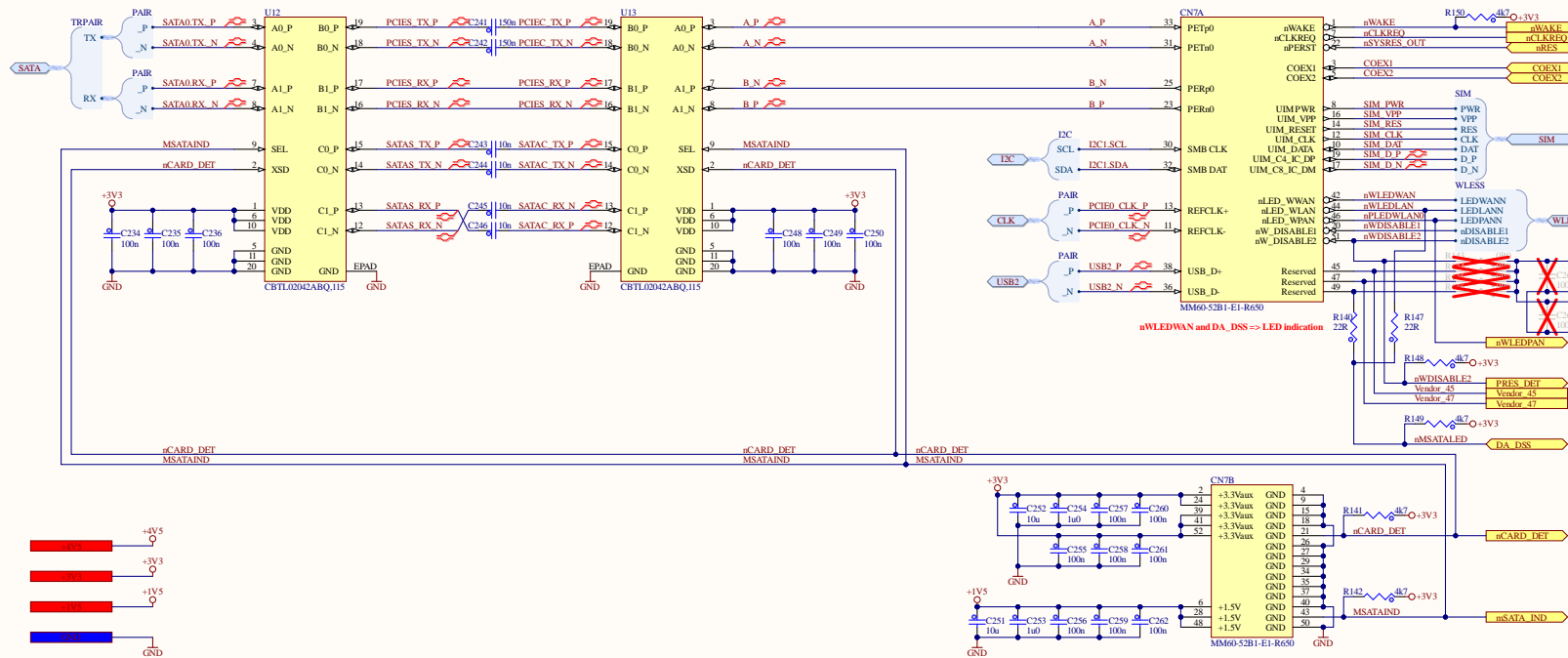
D

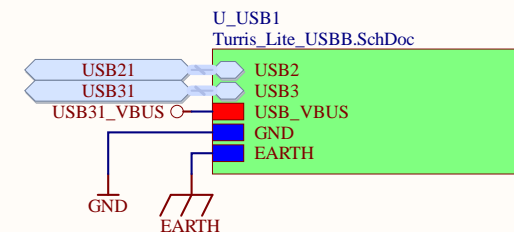
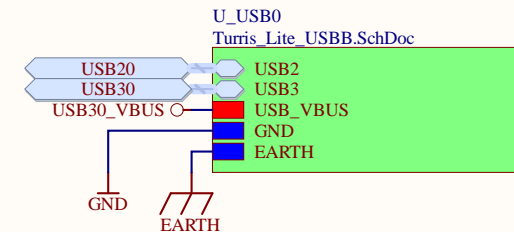
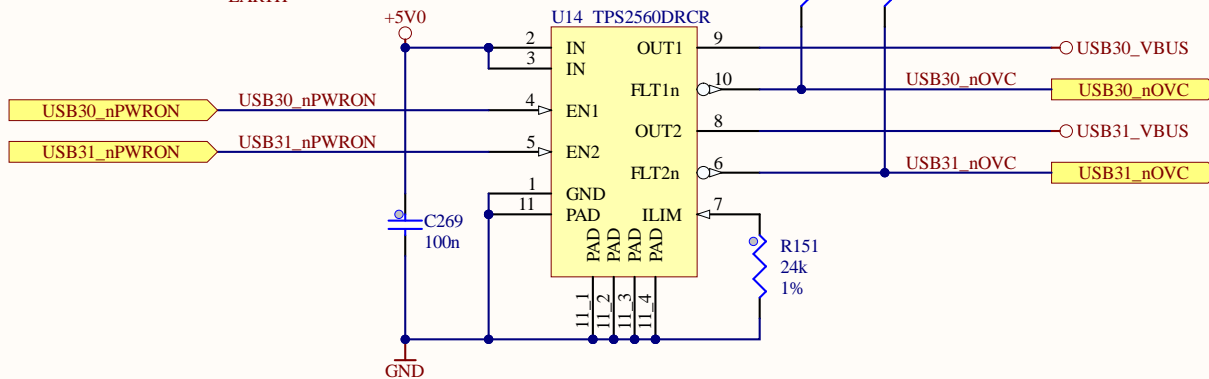
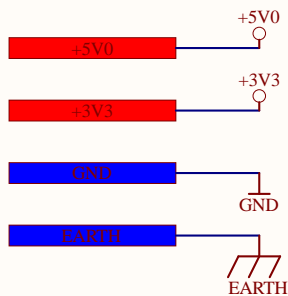
D

Author: Zbyněk Kos & Tomáš Rykl
 Engineer: Zbyněk Kos & Tomáš Rykl
 Drawn by: Zbyněk Kos
 Checked by: Tomáš Rykl
 Approved by: *

Title: **Turris Omnia - PCIE - Single Slot**
 Document Number: CZ11NIC230000-10 Revision: 230000
 Sheet 10 of 26 Date: * *
 Name: Turris_Lite_PCIEB.SchDoc

CZ.NIC, z.s.p.o.
 Milešovská 5
 130 00 Praha 3





Author: Zbyněk Kos & Tomáš Rykl
 Engineer: Zbyněk Kos & Tomáš Rykl
 Drawn by: Zbyněk Kos
 Checked by: Tomáš Rykl
 Approved by: *

Title: **Turrís Omnia - USB 3.0**

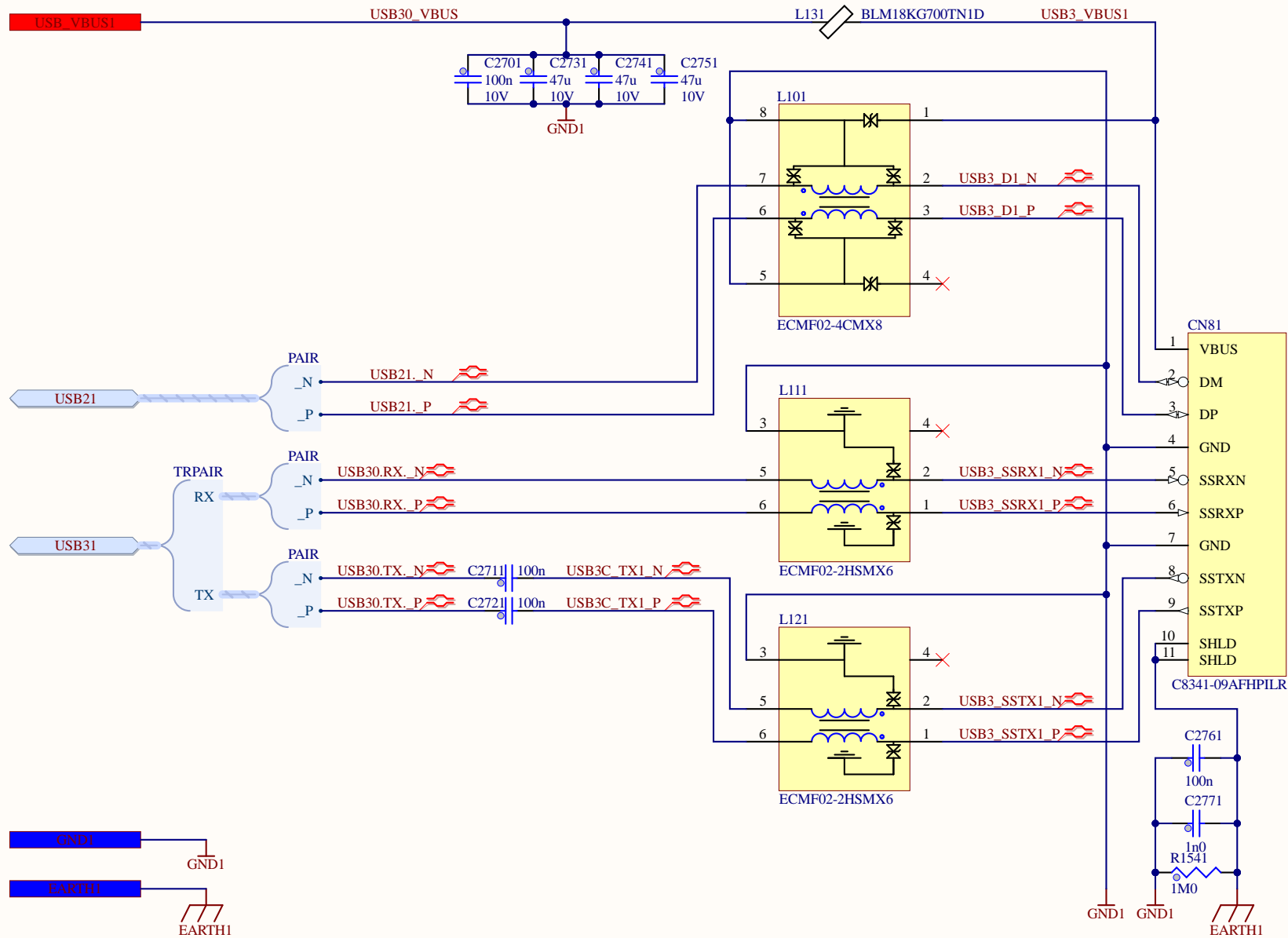
Document Number: CZ11NIC230000-12 Revision: 230000

Sheet 12 of 26 Date: * *

Name: Turrís_Lite_USB.SchDoc

CZ.NIC, z.s.p.o.
 Milešovská 5
 130 00 Praha 3





Author: Zbyněk Kos & Tomáš Rykl
 Engineer: Zbyněk Kos & Tomáš Rykl
 Drawn by: Zbyněk Kos
 Checked by: Tomáš Rykl
 Approved by: *

<http://www.nic.cz>

Title: **Turrus Omnia - USB 3.0 - Single Slot**

Document Number: CZ11NIC230000-13

Revision: 230000

Sheet 13 of 26

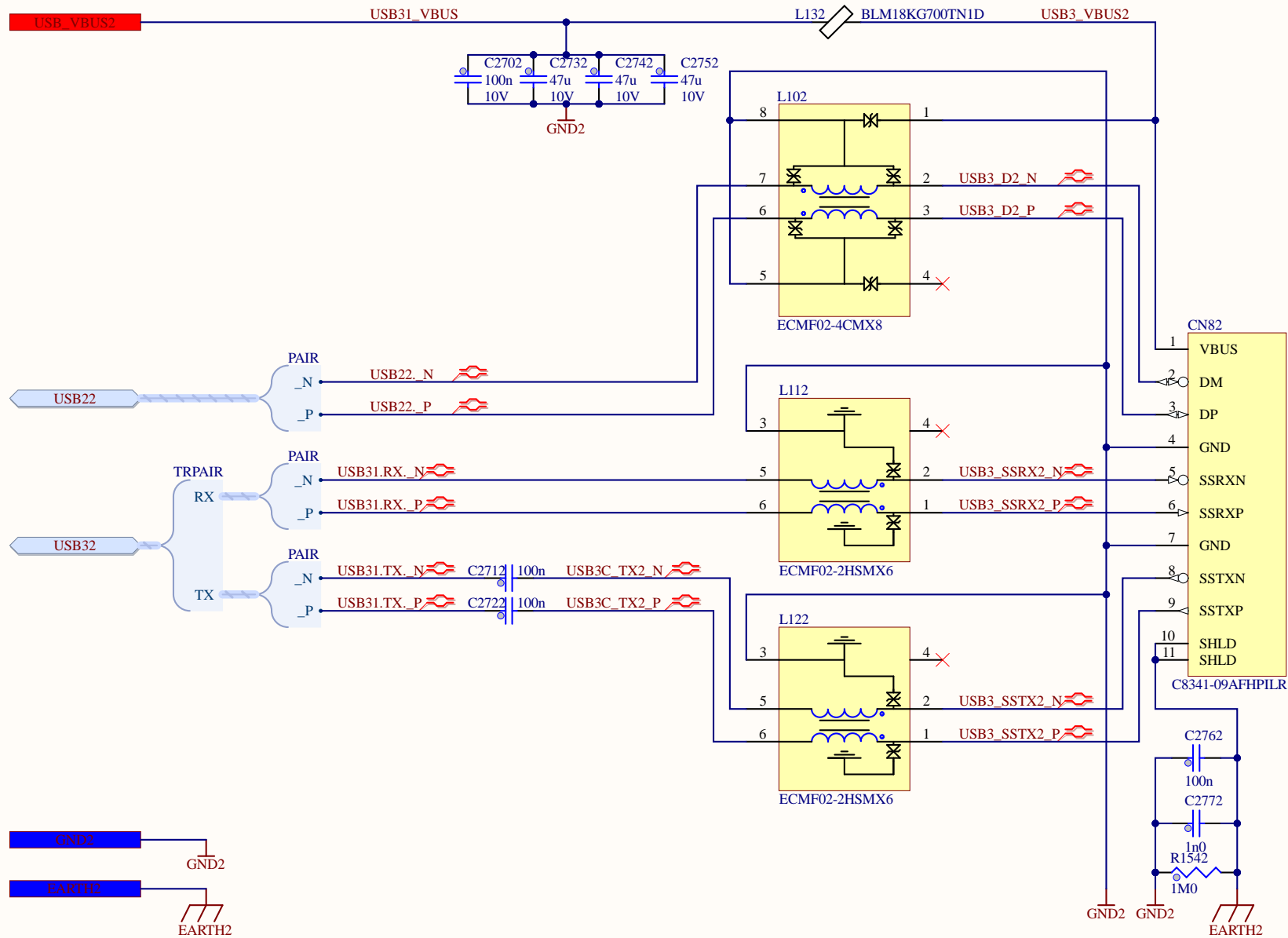
Date: *

*

Name: Turrus_Lite_USB3.SchDoc

CZ.NIC, z.s.p.o.
 Milešovská 5
 130 00 Praha 3





Author: Zbyněk Kos & Tomáš Rykl
 Engineer: Zbyněk Kos & Tomáš Rykl
 Drawn by: Zbyněk Kos
 Checked by: Tomáš Rykl
 Approved by: *

<http://www.nic.cz>

Title: **Turris Omnia - USB 3.0 - Single Slot**

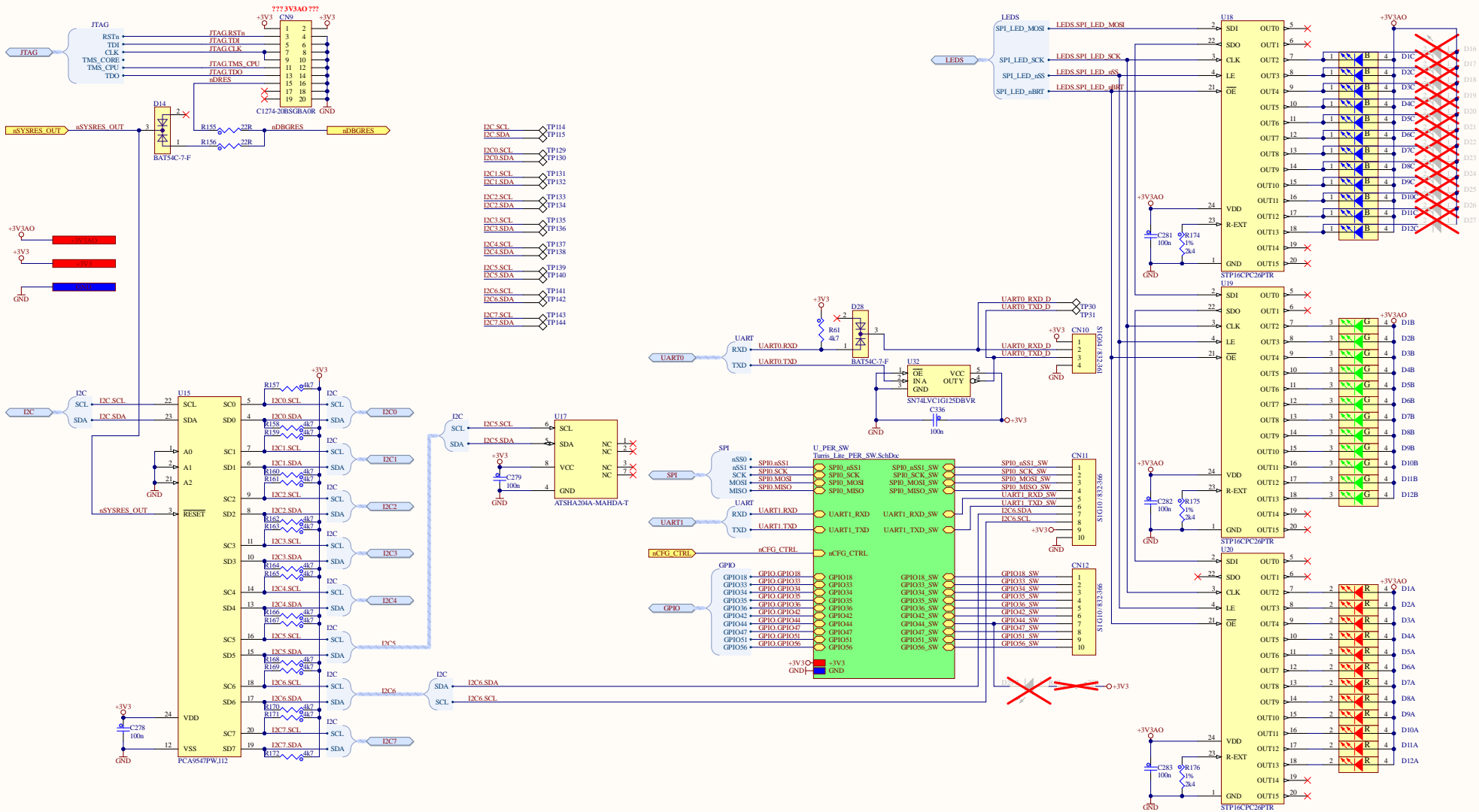
Document Number: CZ11NIC230000-13 Revision: 230000

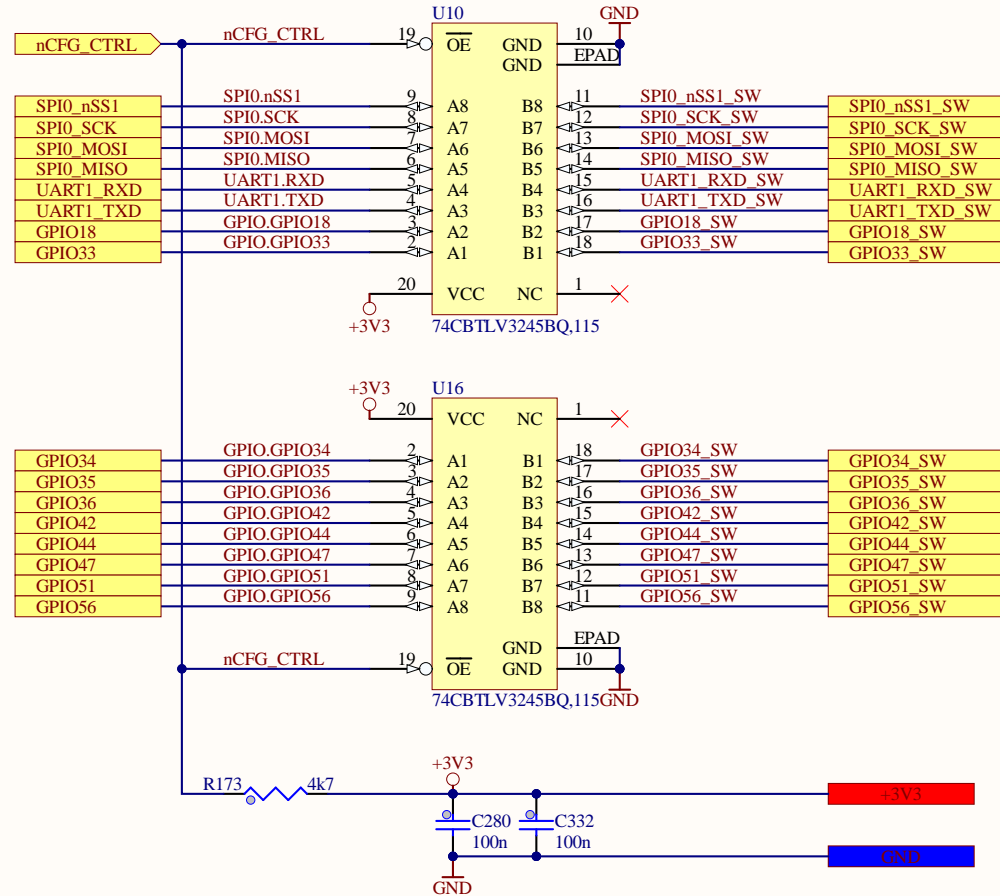
Sheet 13 of 26 Date: * *

Name: Turris_Lite_USB3.SchDoc

CZ.NIC, z.s.p.o.
 Milešovská 5
 130 00 Praha 3



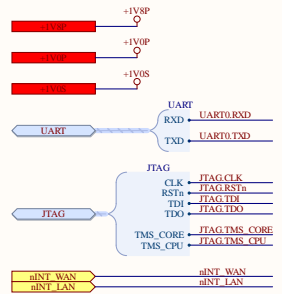




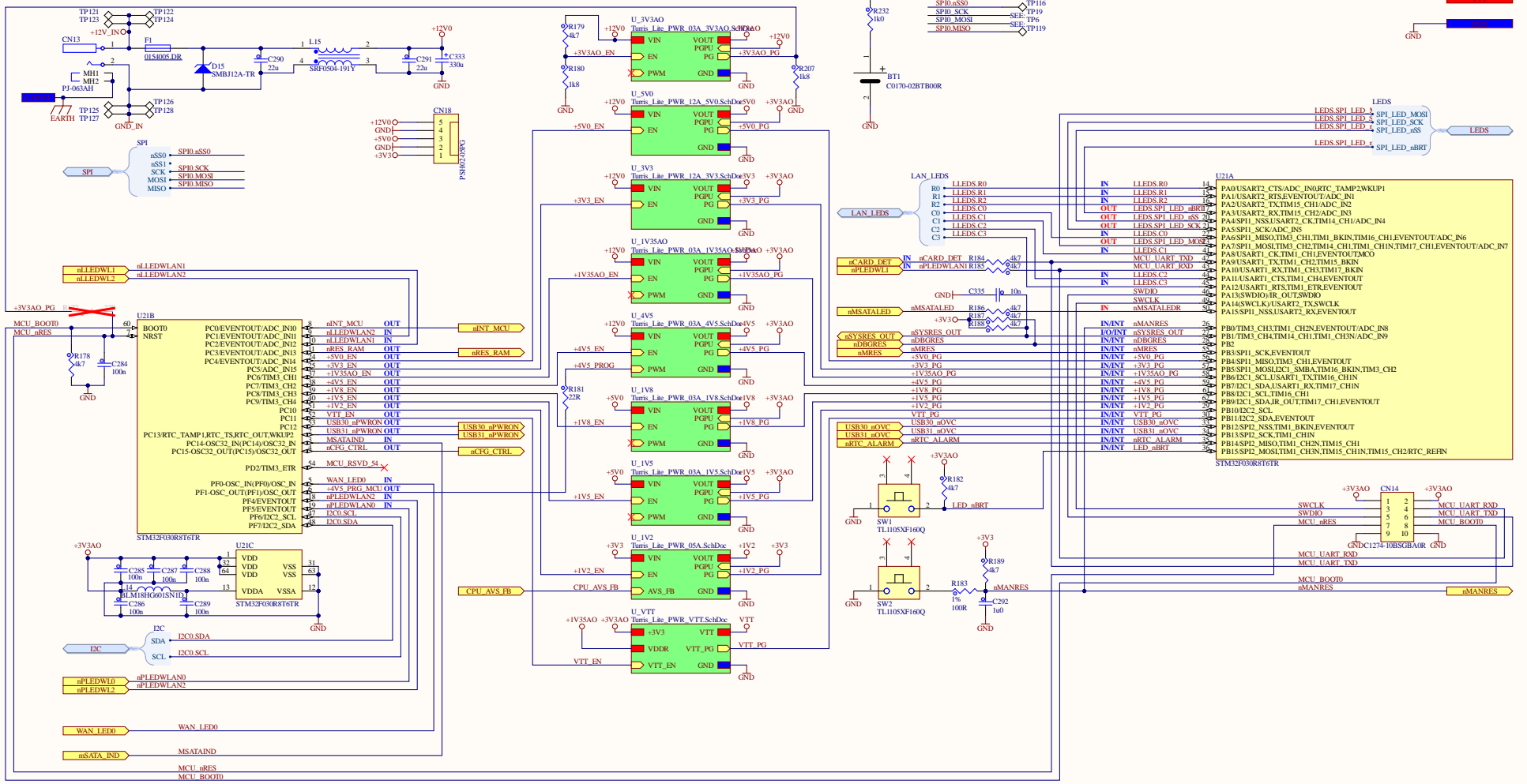
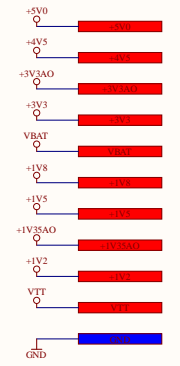
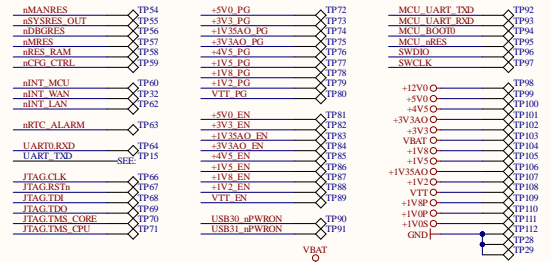
Author: Zbyněk Kos & Tomáš Rykl
 Engineer: Zbyněk Kos & Tomáš Rykl
 Drawn by: Zbyněk Kos
 Checked by: Tomáš Rykl
 Approved by: *
<http://www.nic.cz>

Title: **Turris Omnia - PER - SW**
 Document Number: CZ11NIC230000-15
 Sheet 15 of 26
 Name: Turris_Lite_PER_SW.SchDoc

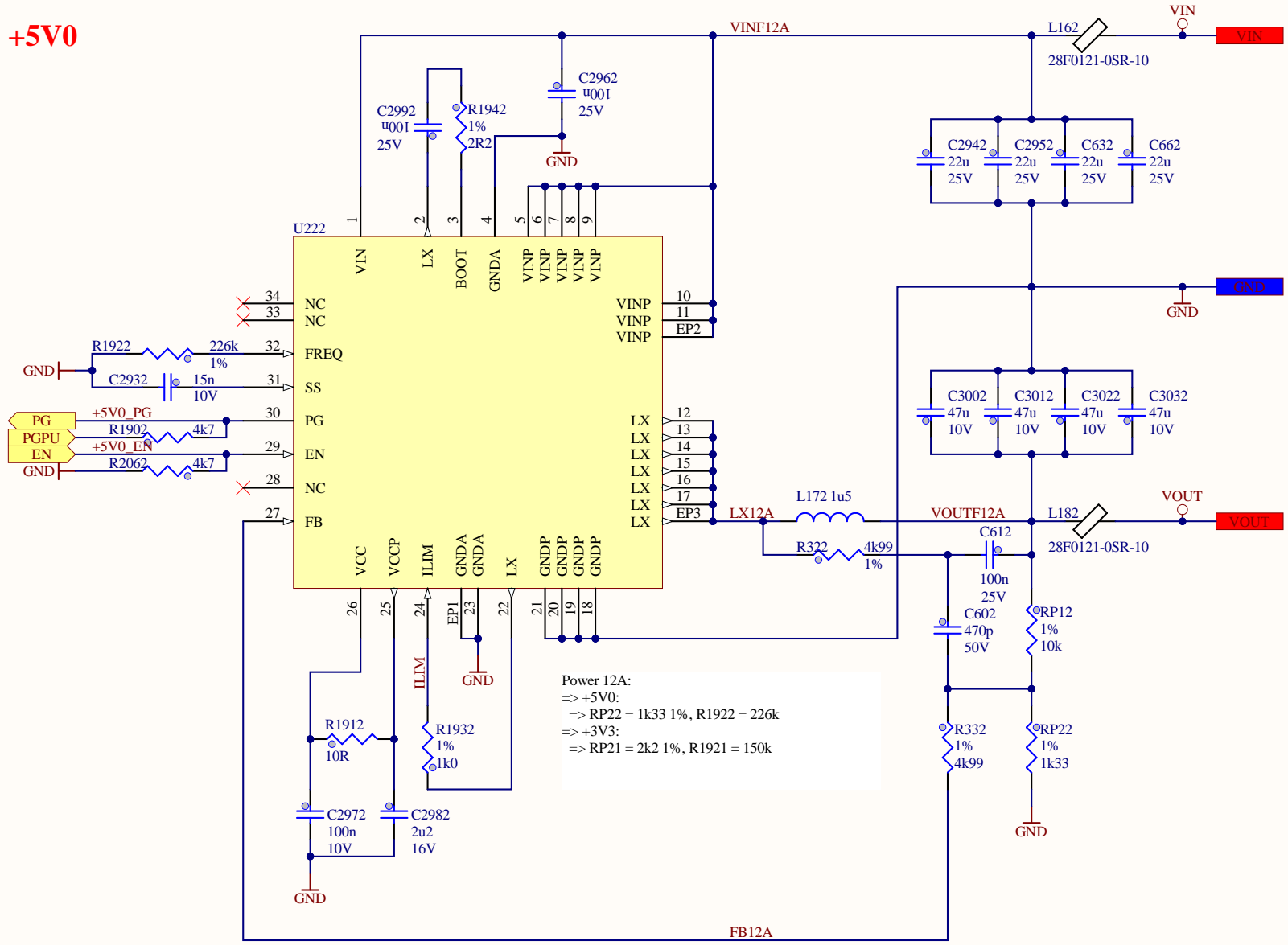
CZ.NIC, z.s.p.o.
 Milešovská 5
 130 00 Praha 3



59 Test Points



+5V0



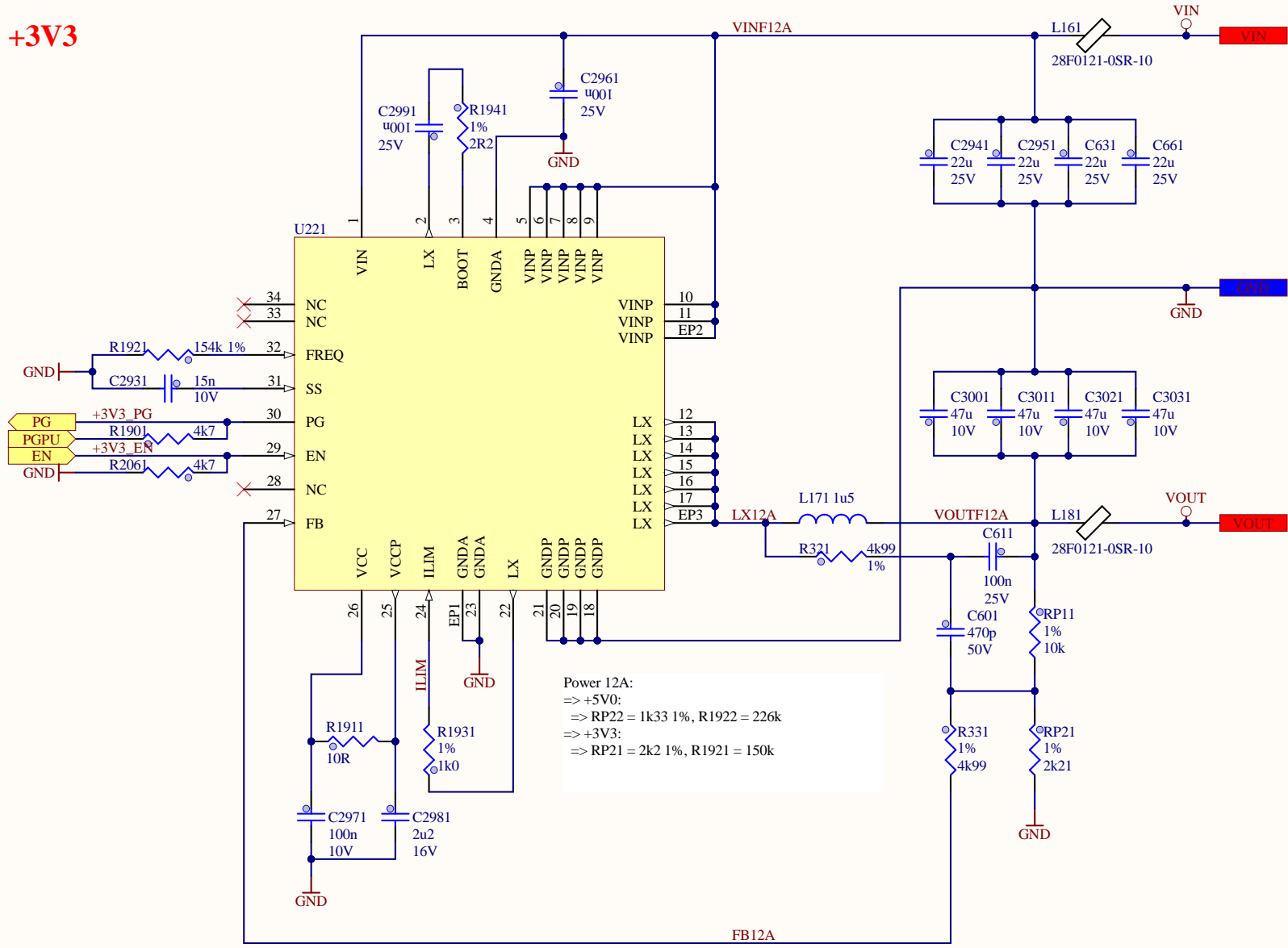
Power 12A:
=> +5V0:
=> RP22 = 1k33 1%, R1922 = 226k
=> +3V3:
=> RP21 = 2k2 1%, R1921 = 150k

Author: Zbyněk Kos & Tomáš Rykl
Engineer: Zbyněk Kos & Tomáš Rykl
Drawn by: Zbyněk Kos
Checked by: Tomáš Rykl
Approved by: *
<http://www.nic.cz>

Title: **Turrís Omnia - Power - 12A Regulator**
Document Number: CZ11NIC230000-17
Revision: 230000
Sheet 17 of 26
Date: * *
Name: Turrís_Lite_PWR_12A_5V0.SchDoc

CZ.NIC, z.s.p.o.
Milešovská 5
130 00 Praha 3
CZ.nic

+3V3

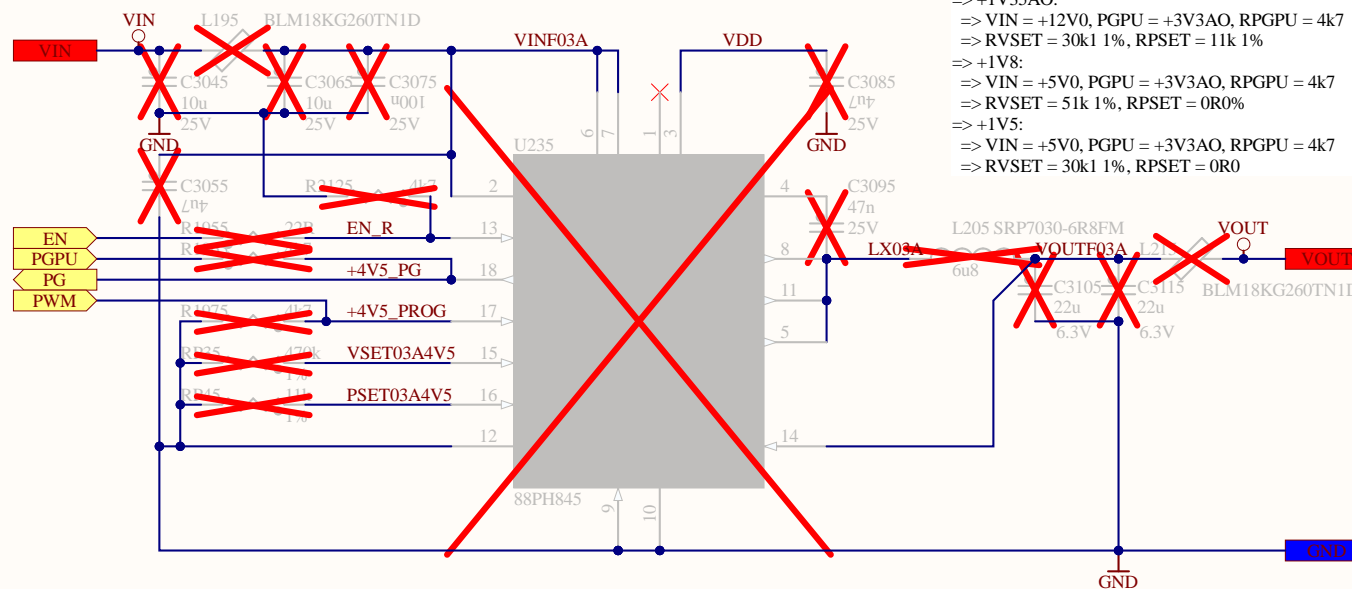


Power 12A:
=> +5V0:
=> RP22 = 1k33 1%, R1922 = 226k
=> +3V3:
=> RP21 = 2k2 1%, R1921 = 150k

Author: Zbyněk Kos & Tomáš Rykl
Engineer: Zbyněk Kos & Tomáš Rykl
Drawn by: Zbyněk Kos
Checked by: Tomáš Rykl
Approved by: *
<http://www.nic.cz>

Title: **Turrís Omnia - Power - 12A Regulator**
Document Number: CZ11NIC230000-18
Sheet 18 of 26
Name: Turrís_Lite_PWR_12A_3V3.SchDoc

CZ.NIC, z.s.p.o.
Milešovská 5
130 00 Praha 3

+4V5**Power 03A:**

=> +4V5:

=> VIN = +12V, PGPU = +3V3AO, RPGPU = 4k7

=> RVSET = 470k 1%, RPSET = 11k 1%

=> +3V3AO:

=> VIN = +12V0, PGPU = +12V0, RPGPU = 4k7

=> RVSET = 270k 1%, RPSET = 0R0

=> EN_PD = NA

=> +1V35AO:

=> VIN = +12V0, PGPU = +3V3AO, RPGPU = 4k7

=> RVSET = 30k1 1%, RPSET = 11k 1%

=> +1V8:

=> VIN = +5V0, PGPU = +3V3AO, RPGPU = 4k7

=> RVSET = 51k 1%, RPSET = 0R0%

=> +1V5:

=> VIN = +5V0, PGPU = +3V3AO, RPGPU = 4k7

=> RVSET = 30k1 1%, RPSET = 0R0

Author: Zbyněk Kos & Tomáš Rykl
 Engineer: Zbyněk Kos & Tomáš Rykl
 Drawn by: Zbyněk Kos
 Checked by: Tomáš Rykl
 Approved by: *

<http://www.nic.cz>

Title: **Turris Omnia - Power - 3A Regulator**

Document Number: CZ11NIC230000-19

Revision: 230000

Sheet 19 of 26

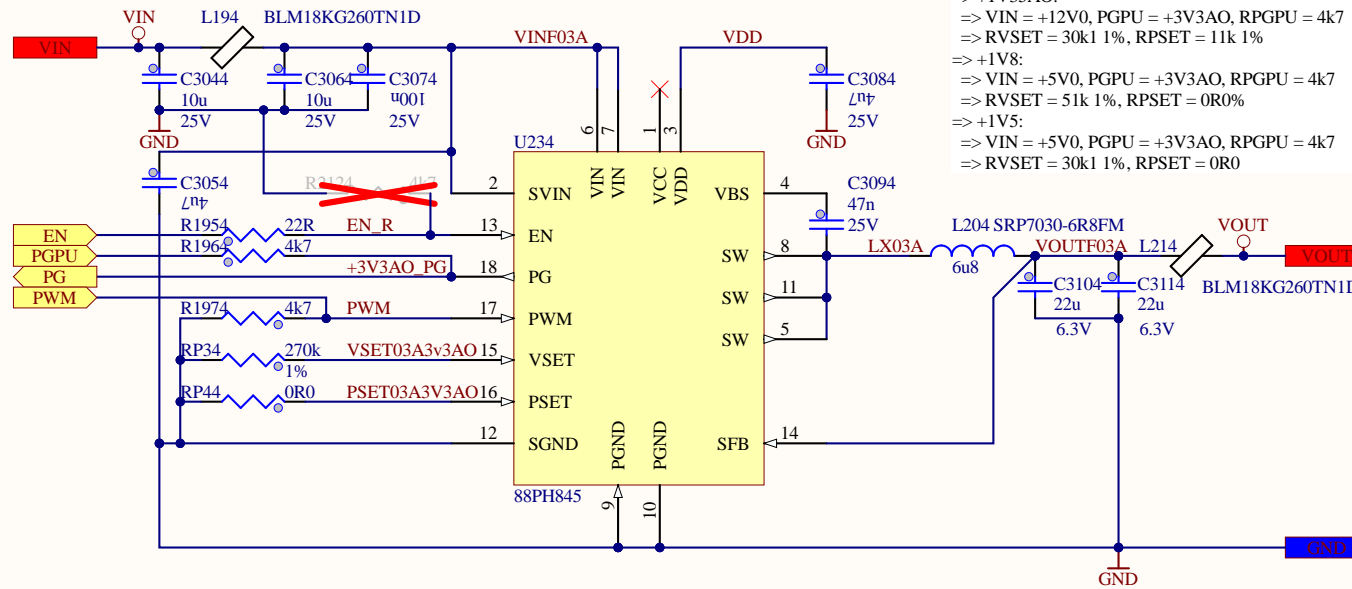
Date: *

*

Name: Turris_Lite_PWR_03A_4V5.SchDoc

CZ.NIC, z.s.p.o.
 Milešovská 5
 130 00 Praha 3

CZ.nic

+3V3AO**Power 03A:**

=> +4V5:

=> VIN = +12V, PGPU = +3V3AO, RPGPU = 4k7

=> RVSET = 470k 1%, RPSET = 11k 1%

=> +3V3AO:

=> VIN = +12V0, PGPU = +12V0, RPGPU = 4k7

=> RVSET = 270k 1%, RPSET = 0R0

=> EN_PD = NA

=> +1V35AO:

=> VIN = +12V0, PGPU = +3V3AO, RPGPU = 4k7

=> RVSET = 30k1 1%, RPSET = 11k 1%

=> +1V8:

=> VIN = +5V0, PGPU = +3V3AO, RPGPU = 4k7

=> RVSET = 51k 1%, RPSET = 0R0%

=> +1V5:

=> VIN = +5V0, PGPU = +3V3AO, RPGPU = 4k7

=> RVSET = 30k1 1%, RPSET = 0R0

Author: Zbyněk Kos & Tomáš Rykl
 Engineer: Zbyněk Kos & Tomáš Rykl
 Drawn by: Zbyněk Kos
 Checked by: Tomáš Rykl
 Approved by: *

<http://www.nic.cz>

Title: **Turrís Omnia - Power - 3A Regulator**

Document Number: CZ11NIC230000-20 Revision: 230000

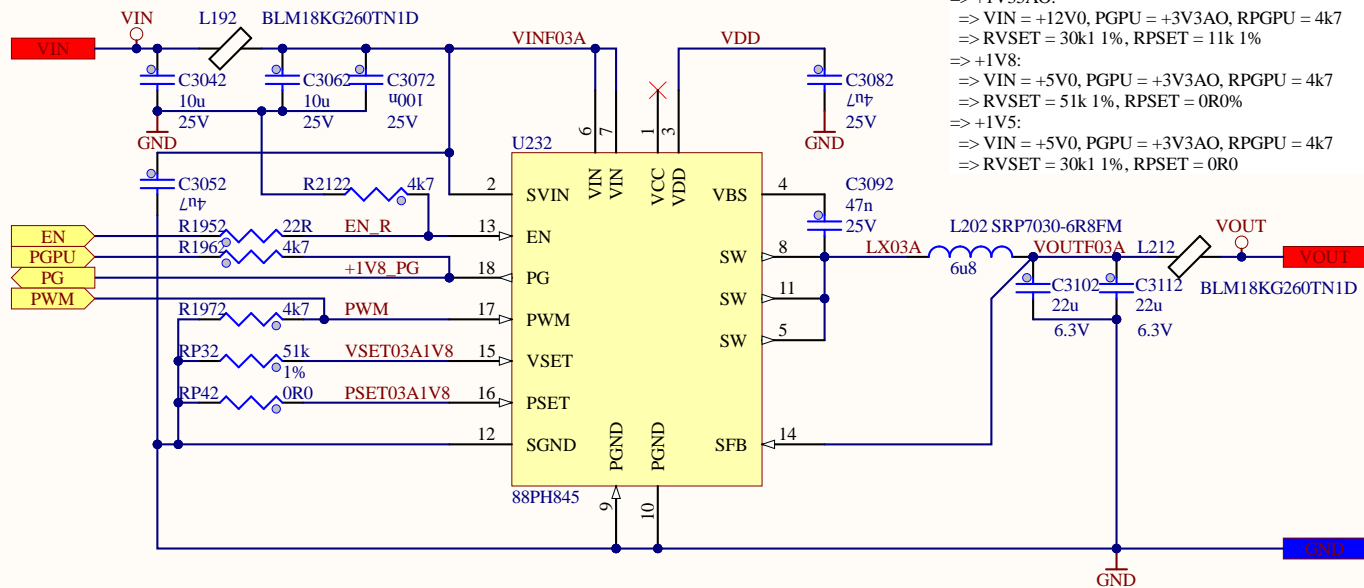
Sheet 20 of 26 Date: * *

Name: Turrís Lite PWR_03A_3V3AO.SchDoc

CZ.NIC, z.s.p.o.
 Milešovská 5
 130 00 Praha 3



+1V8



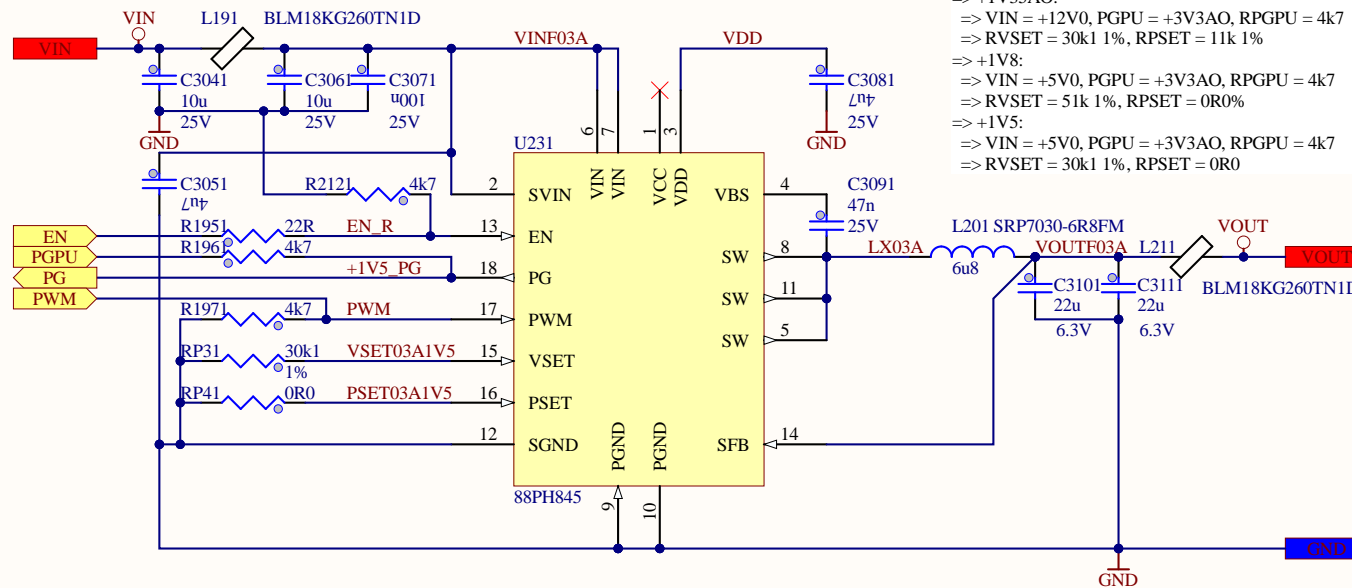
Power 03A:

- => +4V5:
- => VIN = +12V, PGPU = +3V3AO, RPGPU = 4k7
- => RVSET = 470k 1%, RPSET = 11k 1%
- => +3V3AO:
- => VIN = +12V0, PGPU = +12V0, RPGPU = 4k7
- => RVSET = 270k 1%, RPSET = 0R0
- => EN_PD = NA
- => +1V35AO:
- => VIN = +12V0, PGPU = +3V3AO, RPGPU = 4k7
- => RVSET = 30k1 1%, RPSET = 11k 1%
- => +1V8:
- => VIN = +5V0, PGPU = +3V3AO, RPGPU = 4k7
- => RVSET = 51k 1%, RPSET = 0R0%
- => +1V5:
- => VIN = +5V0, PGPU = +3V3AO, RPGPU = 4k7
- => RVSET = 30k1 1%, RPSET = 0R0

Author: Zbyněk Kos & Tomáš Rykl
 Engineer: Zbyněk Kos & Tomáš Rykl
 Drawn by: Zbyněk Kos
 Checked by: Tomáš Rykl
 Approved by: *
<http://www.nic.cz>

Title: **Turris Omnia - Power - 3A Regulator**
 Document Number: CZ11NIC230000-21 Revision: 230000
 Sheet 21 of 26 Date: * *
 Name: Turris_Lite_PWR_03A_1V8.SchDoc

CZ.NIC, z.s.p.o.
 Milešovská 5
 130 00 Praha 3

+1V5

Power 03A:

=> +4V5:

=> VIN = +12V, PGPU = +3V3AO, RPGPU = 4k7

=> RVSET = 470k 1%, RPSET = 11k 1%

=> +3V3AO:

=> VIN = +12V0, PGPU = +12V0, RPGPU = 4k7

=> RVSET = 270k 1%, RPSET = 0R0

=> EN_PD = NA

=> +1V35AO:

=> VIN = +12V0, PGPU = +3V3AO, RPGPU = 4k7

=> RVSET = 30k1 1%, RPSET = 11k 1%

=> +1V8:

=> VIN = +5V0, PGPU = +3V3AO, RPGPU = 4k7

=> RVSET = 51k 1%, RPSET = 0R0%

=> +1V5:

=> VIN = +5V0, PGPU = +3V3AO, RPGPU = 4k7

=> RVSET = 30k1 1%, RPSET = 0R0

Author: Zbyněk Kos & Tomáš Rykl
 Engineer: Zbyněk Kos & Tomáš Rykl
 Drawn by: Zbyněk Kos
 Checked by: Tomáš Rykl
 Approved by: *

<http://www.nic.cz>

Title: **Turris Omnia - Power - 3A Regulator**

Document Number: CZ11NIC230000-22

Revision: 230000

Sheet 22 of 26

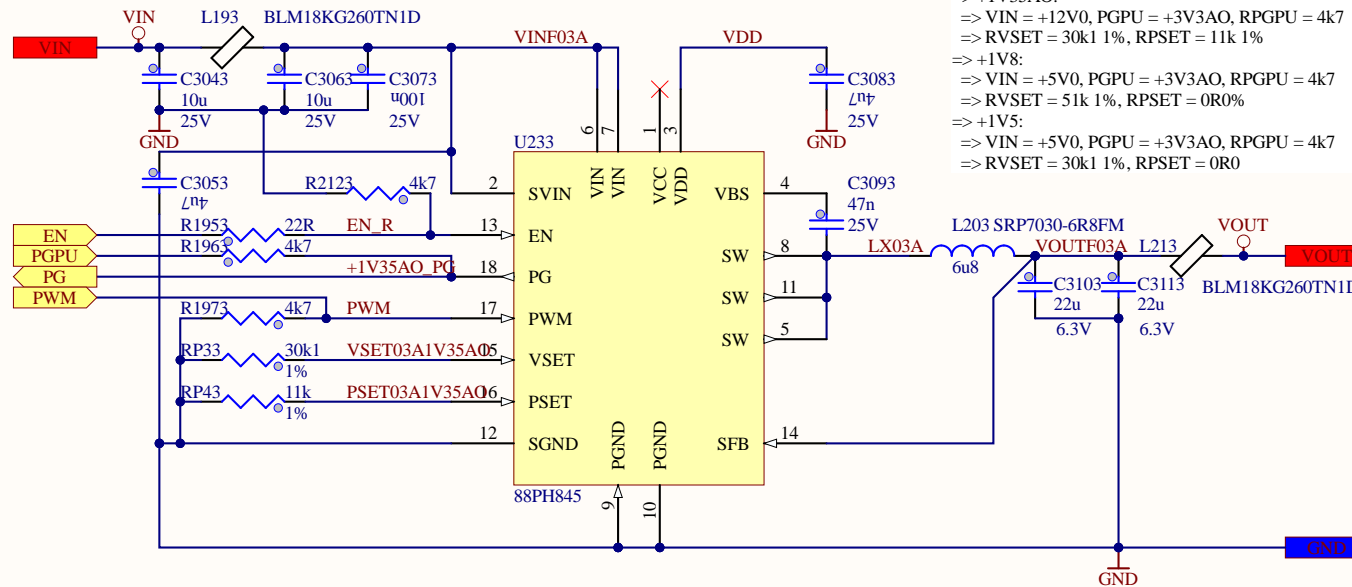
Date: *

*

Name: Turris_Lite_PWR_03A_1V5.SchDoc

CZ.NIC, z.s.p.o.
 Milešovská 5
 130 00 Praha 3

CZ.nic

+1V35AO**Power 03A:**

=> +4V5:

=> VIN = +12V, PGPU = +3V3AO, RPGPU = 4k7

=> RVSET = 470k 1%, RPSET = 11k 1%

=> +3V3AO:

=> VIN = +12V0, PGPU = +12V0, RPGPU = 4k7

=> RVSET = 270k 1%, RPSET = 0R0

=> EN_PD = NA

=> +1V35AO:

=> VIN = +12V0, PGPU = +3V3AO, RPGPU = 4k7

=> RVSET = 30k1 1%, RPSET = 11k 1%

=> +1V8:

=> VIN = +5V0, PGPU = +3V3AO, RPGPU = 4k7

=> RVSET = 51k 1%, RPSET = 0R0%

=> +1V5:

=> VIN = +5V0, PGPU = +3V3AO, RPGPU = 4k7

=> RVSET = 30k1 1%, RPSET = 0R0

Author: Zbyněk Kos & Tomáš Rykl
 Engineer: Zbyněk Kos & Tomáš Rykl
 Drawn by: Zbyněk Kos
 Checked by: Tomáš Rykl
 Approved by: *

<http://www.nic.cz>

Title: **Turris Omnia - Power - 3A Regulator**

Document Number: CZ11NIC230000-23

Revision: 230000

Sheet 23 of 26

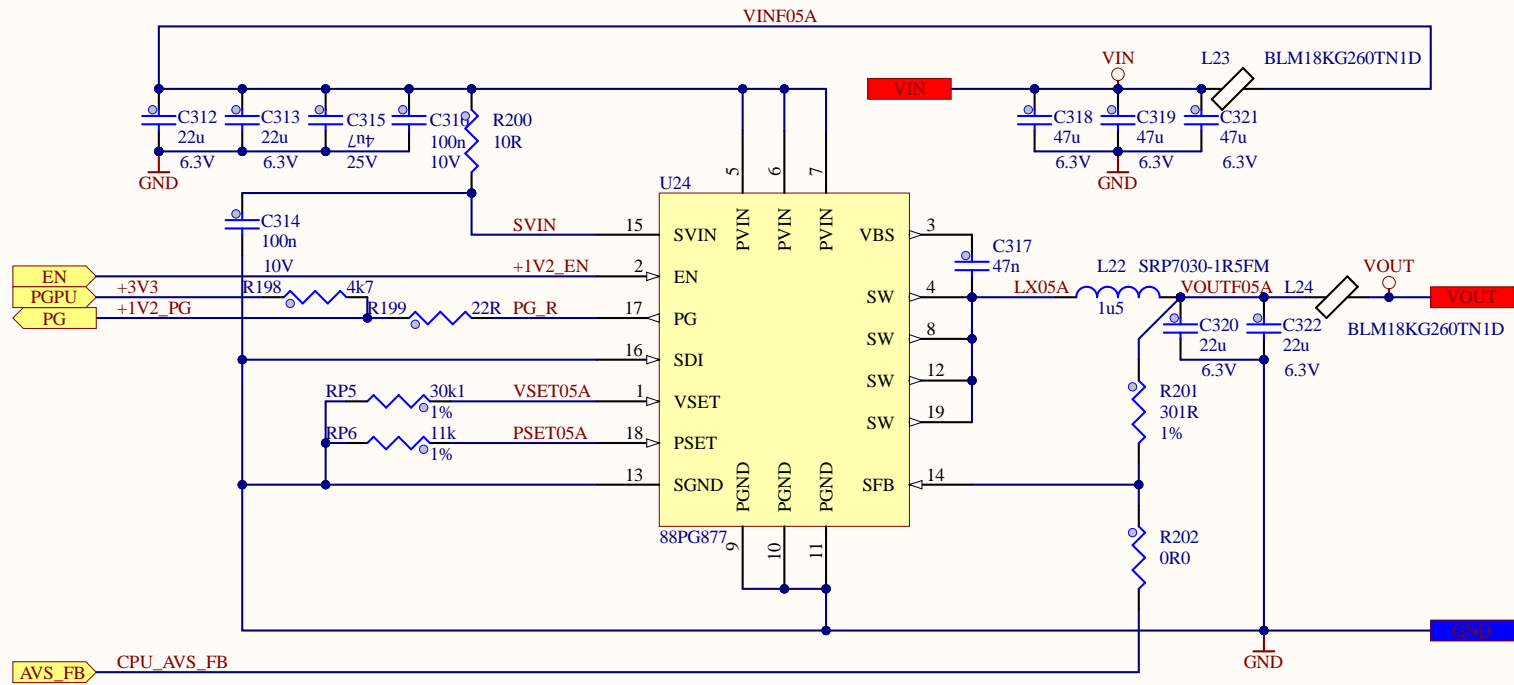
Date: *

*

Name: Turris_Lite_PWR_03A_1V35AO.SchDoc

CZ.NIC, z.s.p.o.
 Milešovská 5
 130 00 Praha 3

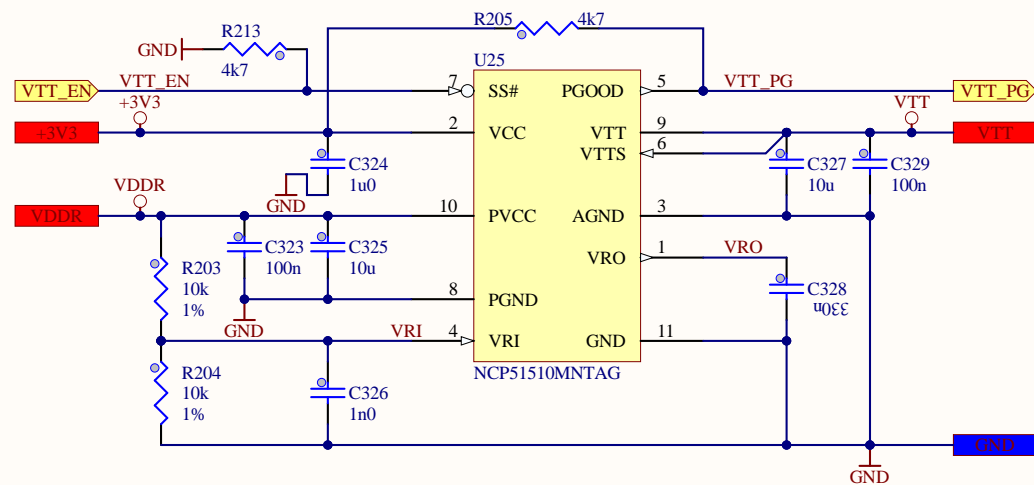




Author: Zbyněk Kos & Tomáš Rykl
 Engineer: Zbyněk Kos & Tomáš Rykl
 Drawn by: Zbyněk Kos
 Checked by: Tomáš Rykl
 Approved by: *
<http://www.nic.cz>

Title: **Turris Omnia - Power - 5A Regulator**
 Document Number: CZ11NIC230000-24
 Sheet 24 of 26
 Name: Turris_Lite_PWR_05A.SchDoc

CZ.NIC, z.s.p.o.
 Milešovská 5
 130 00 Praha 3



Author: Zbyněk Kos & Tomáš Rykl
 Engineer: Zbyněk Kos & Tomáš Rykl
 Drawn by: Zbyněk Kos
 Checked by: Tomáš Rykl
 Approved by: *

<http://www.nic.cz>

Title: **Turris Omnia - Power - VTT Regulator**

Document Number: CZ11NIC230000-25

Revision: 230000

Sheet 25 of 26

Date: * *

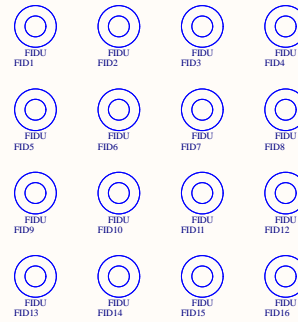
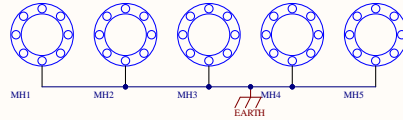
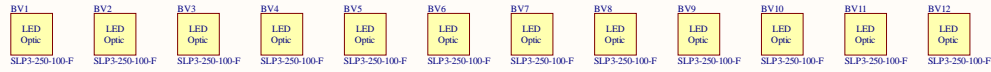
Name: Turris_Lite_PWR_VTT.SchDoc

CZ.NIC, z.s.p.o.
 Milešovská 5
 130 00 Praha 3

CZ.nic

Mechanical components
 - mounting holes
 - screws
 - box elements
 - distribution box
 - distribution box content (manual etc.)
 - fiducial marks???

Connect all mount holes to EARTH



- Screws
- Heatsinks
- Thermal tapes
- Thermal polymers
- AL Box parts
- Battery
- Antennas
- Paper Box
- Manual
- Power Supply
- ETH cables - optional
- WiFi cards - optional
- Diplexers - optional
- SFP module - optional
- Jumper

Author: Zbyněk Kos & Tomáš Rykl
 Engineer: Zbyněk Kos & Tomáš Rykl
 Drawn by: Zbyněk Kos
 Checked by: Tomáš Rykl
 Approved by: *

<http://www.nic.cz>

Title: Turris Omnia - Mech. & SW & Accs
 Document Number: CZJ1NIC230000-26
 Sheet: 26 of 26
 Revision: 230000
 Date: * * *

Name: Turris_Lite_MECH.SCHDoc

CZ.NIC, z.s.p.o.
 Měškovská 5
 130 00 Praha 3
CZ.nic