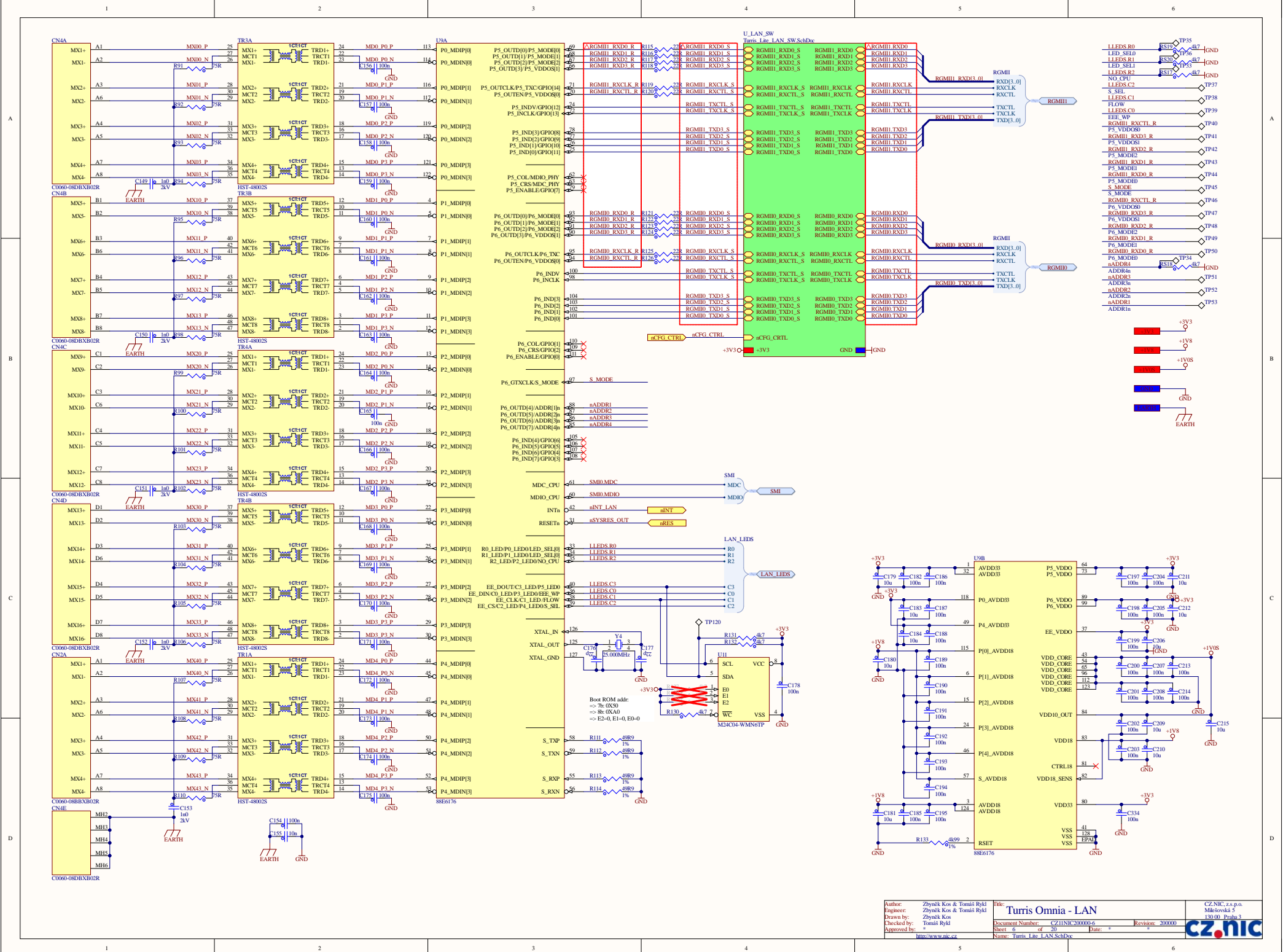


Author: Zbyněk Kos & Tomáš Rykl
 Engineer: Zbyněk Kos & Tomáš Rykl
 Drawn by: Zbyněk Kos
 Checked by: Tomáš Rykl
 Approved by: *

Title: **Turris Omnia - ROM**
 Document Number: CZ11NIC200000-4
 Sheet 4 of 20
 Name: Turris_Lite_ROM.SchDoc

CZ.NIC, z.s.p.o.
 Milešovská 5
 130 00 Praha 3



A

A

B

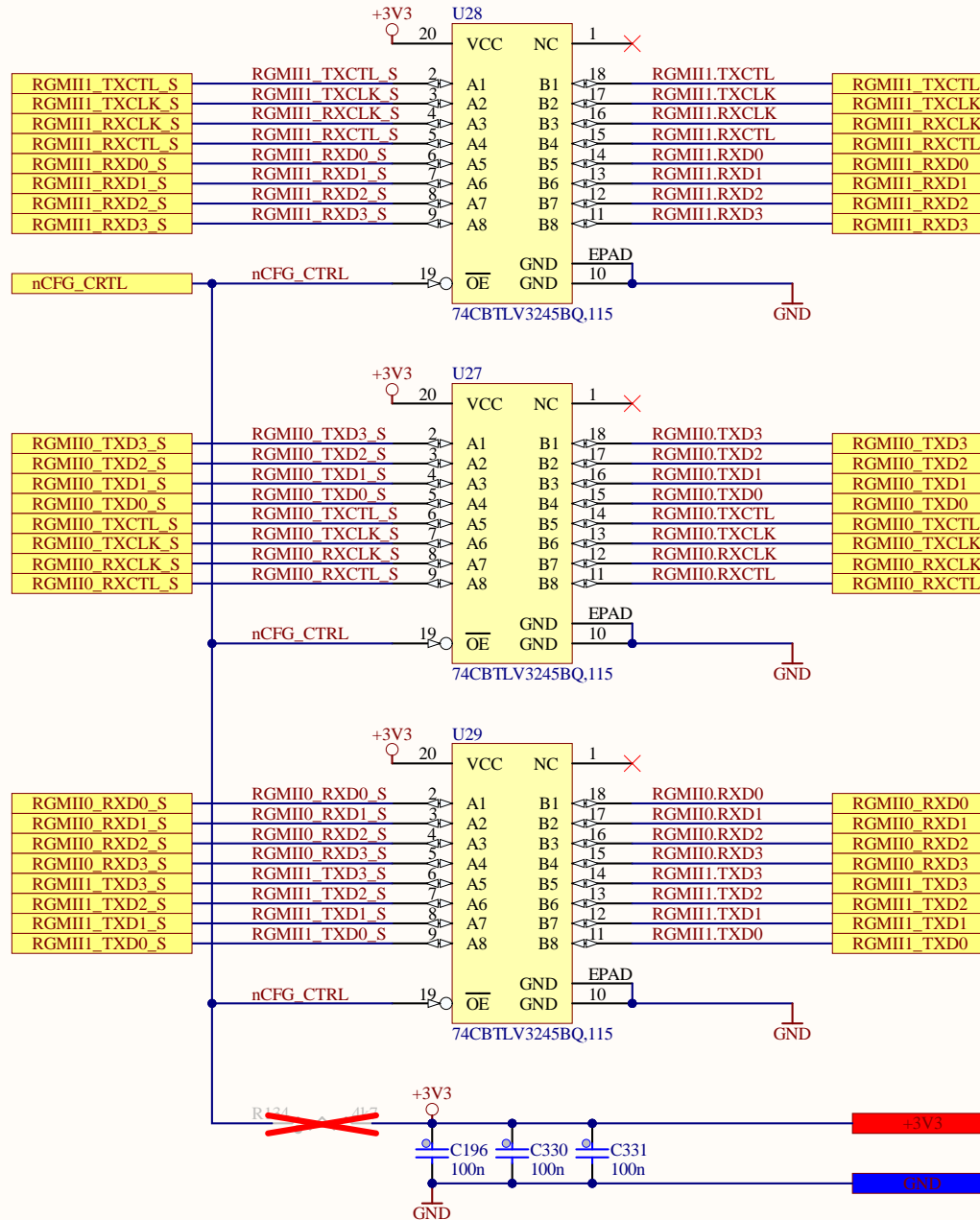
B

C

C

D

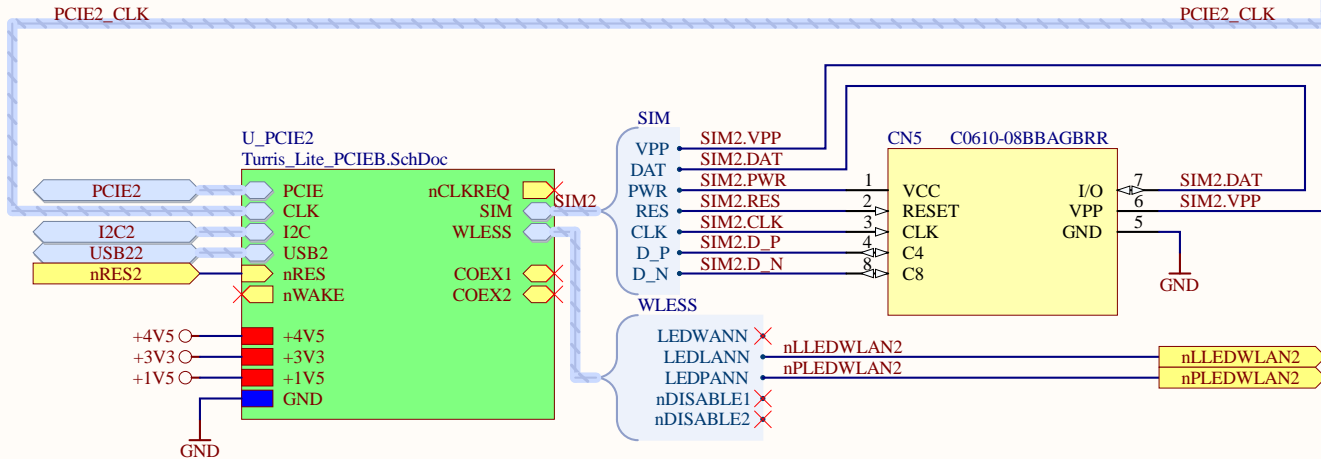
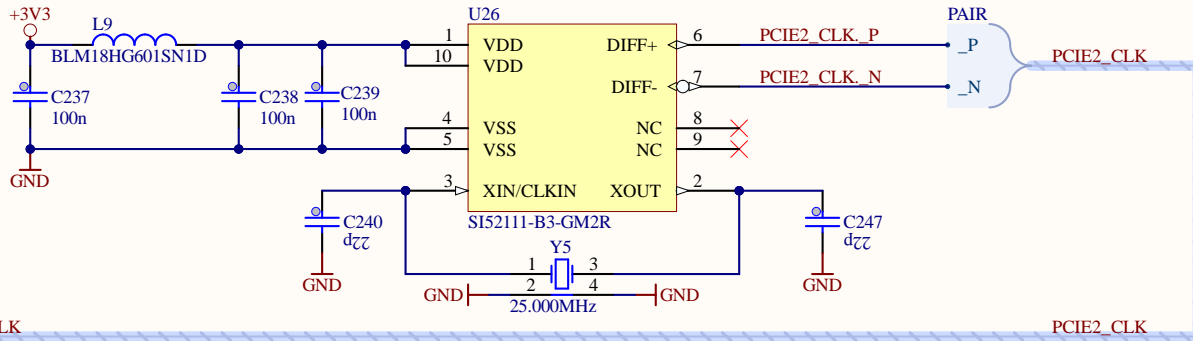
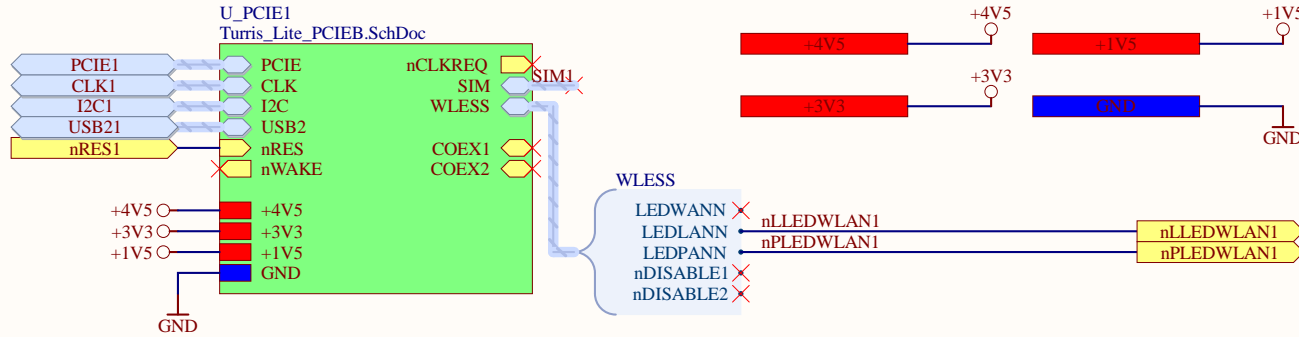
D



Author: Zbyněk Kos & Tomáš Rykl
 Engineer: Zbyněk Kos & Tomáš Rykl
 Drawn by: Zbyněk Kos
 Checked by: Tomáš Rykl
 Approved by: *

Title: **Turris Omnia - LAN - Switch**
 Document Number: CZ11NIC200000-7
 Revision: 200000
 Sheet 7 of 20
 Date: * *
 Name: Turris_Lite_LAN_SW.SchDoc

CZ.NIC, z.s.p.o.
 Milešovská 5
 130 00 Praha 3



Author: Zbyněk Kos & Tomáš Rykl
 Engineer: Zbyněk Kos & Tomáš Rykl
 Drawn by: Zbyněk Kos
 Checked by: Tomáš Rykl
 Approved by: *

Title: **Turris Omnia - PCIE**

Document Number: CZ11NIC200000-8 Revision: 200000
 Sheet 8 of 20 Date: * *
 Name: Turris_Lite_PCIE.SchDoc

CZ.NIC, z.s.p.o.
 Milešovská 5
 130 00 Praha 3

A

A

B

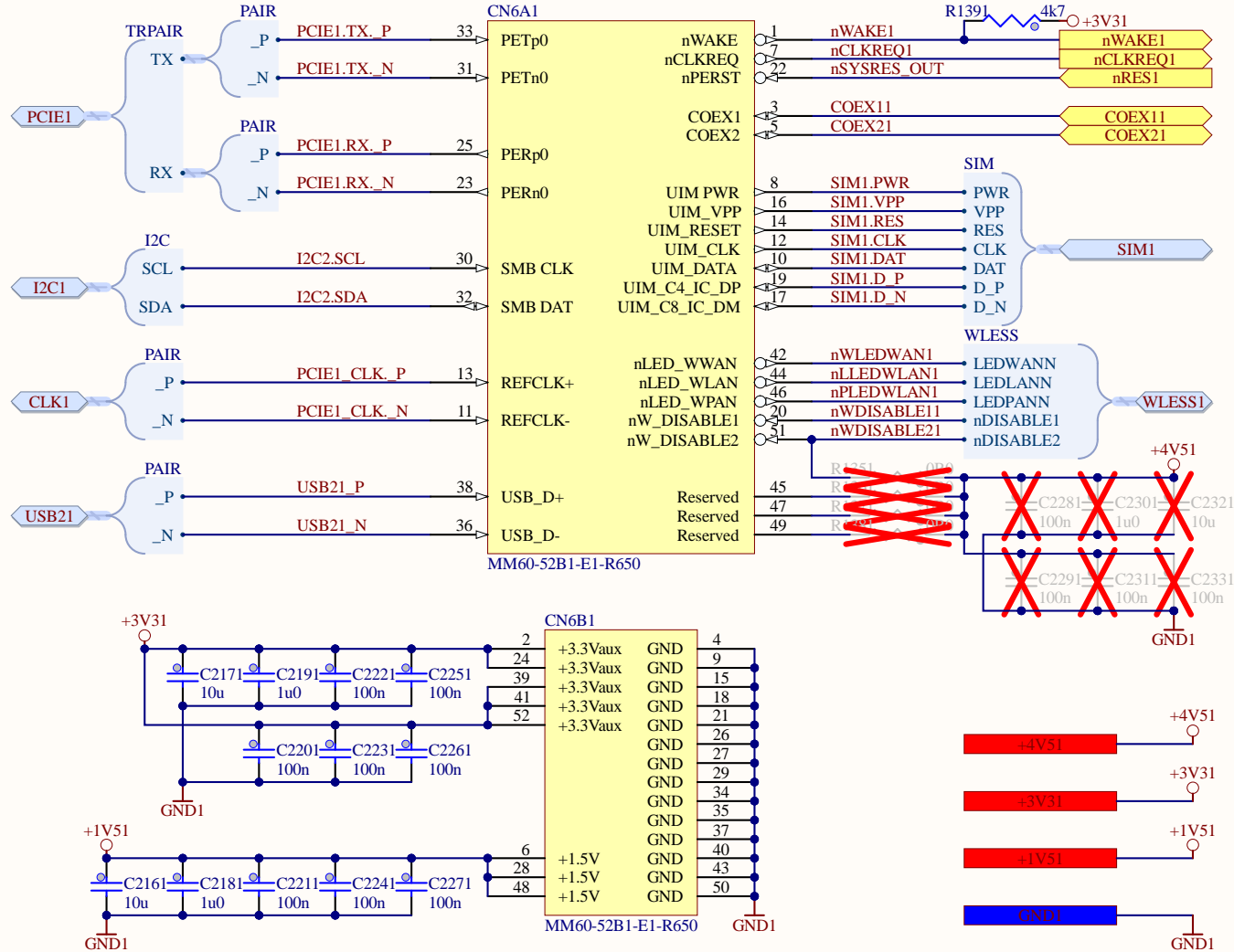
B

C

C

D

D



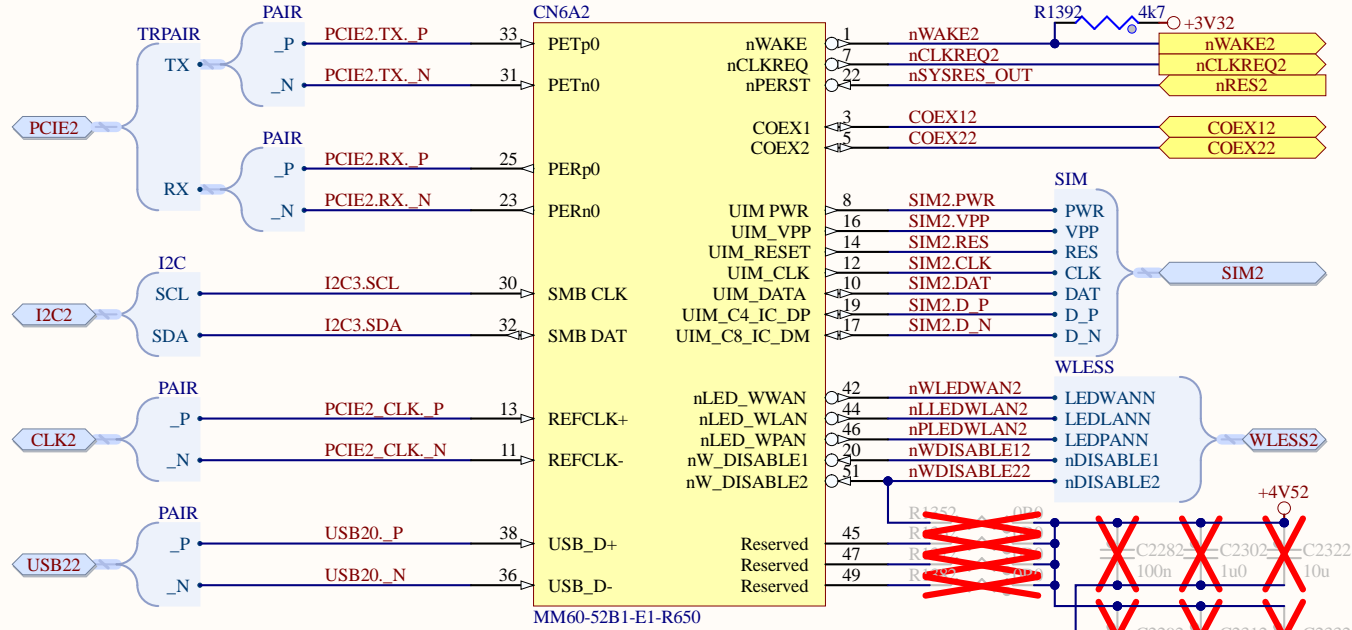
Author: Zbyněk Kos & Tomáš Rykl
 Engineer: Zbyněk Kos & Tomáš Rykl
 Drawn by: Zbyněk Kos
 Checked by: Tomáš Rykl
 Approved by: *
<http://www.nic.cz>

Title: **Turris Omnia - PCIE - Single Slot**
 Document Number: CZ11NIC20000-9 Revision: 20000
 Sheet 9 of 20 Date: * *
 Name: Turris_Lite_PCIEB.SchDoc

CZ.NIC, z.s.p.o.
 Milešovská 5
 130 00 Praha 3

A

A

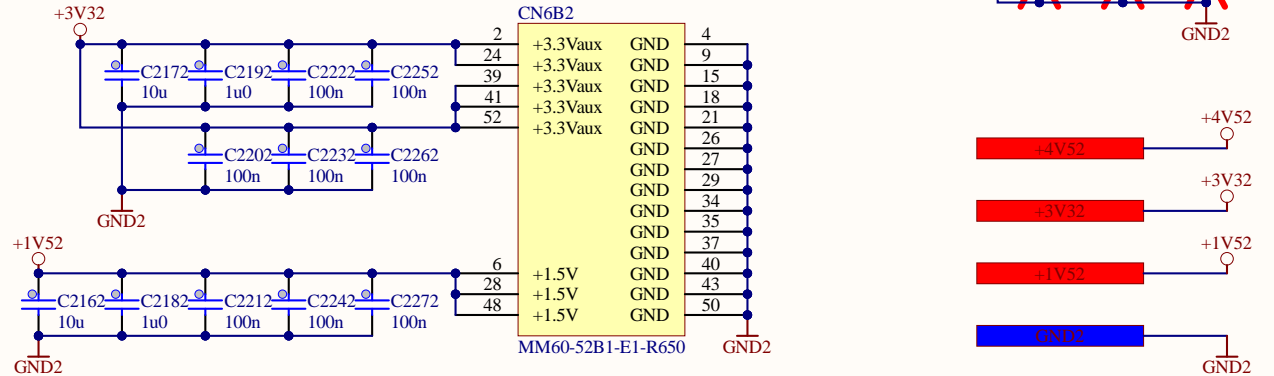


B

B

C

C



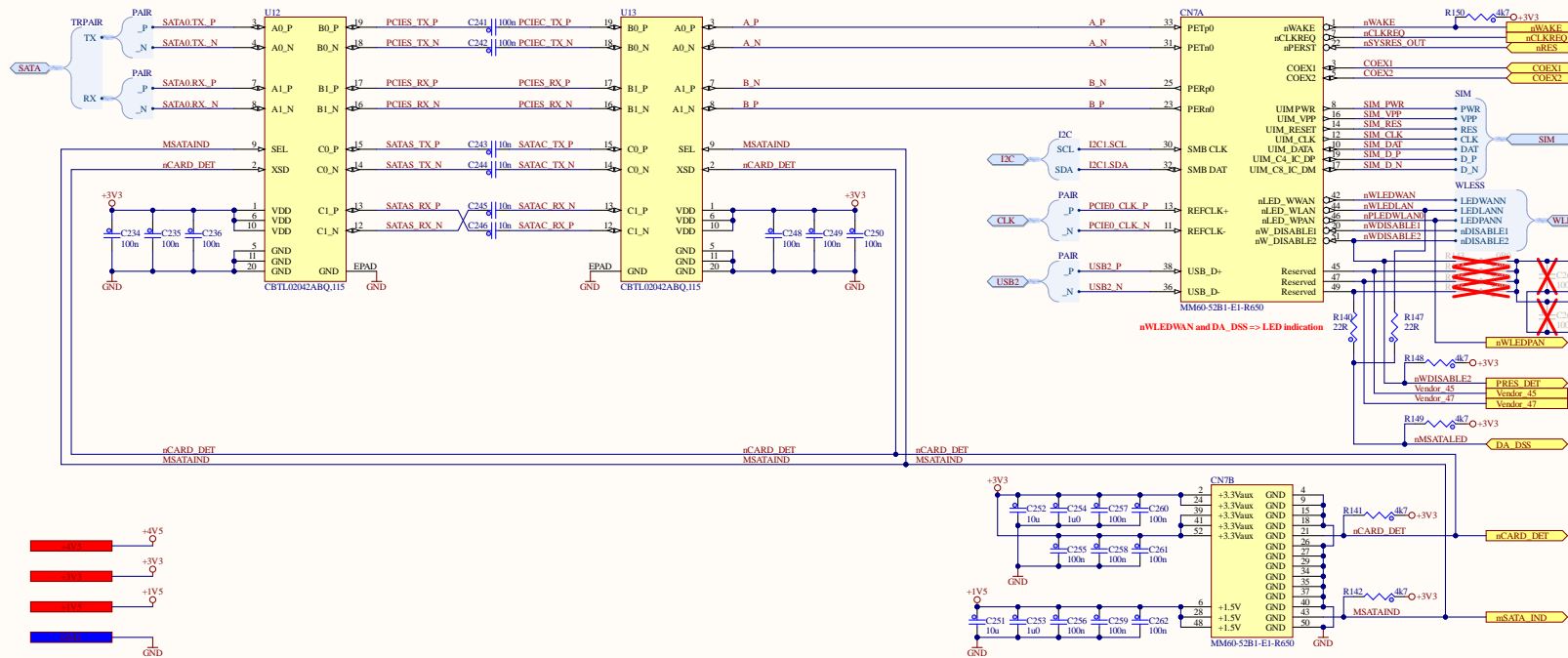
D

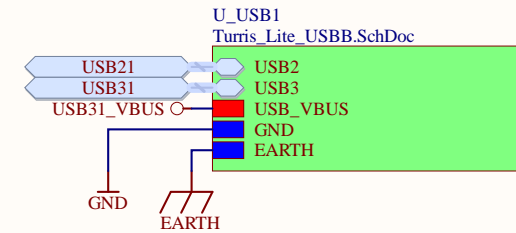
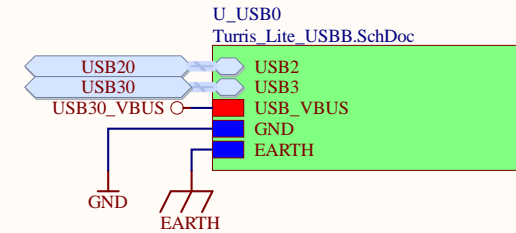
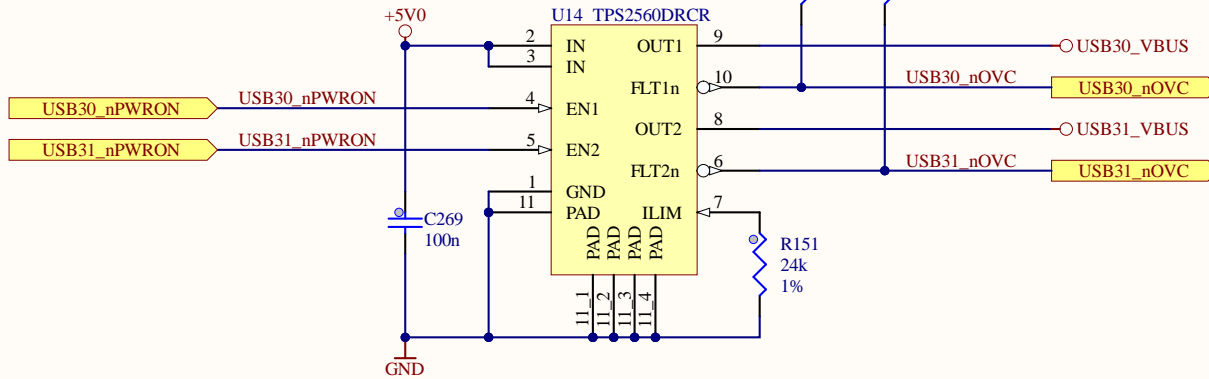
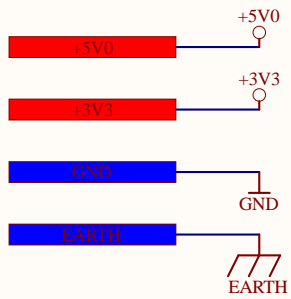
D

Author: Zbyněk Kos & Tomáš Rykl
 Engineer: Zbyněk Kos & Tomáš Rykl
 Drawn by: Zbyněk Kos
 Checked by: Tomáš Rykl
 Approved by: *

Title: **Turris Omnia - PCIE - Single Slot**
 Document Number: CZ11NIC200000-9
 Sheet 9 of 20
 Revision: 200000
 Date: * *
 Name: Turris_Lite_PCIEB.SchDoc

CZ.NIC, z.s.p.o.
 Milešovská 5
 130 00 Praha 3



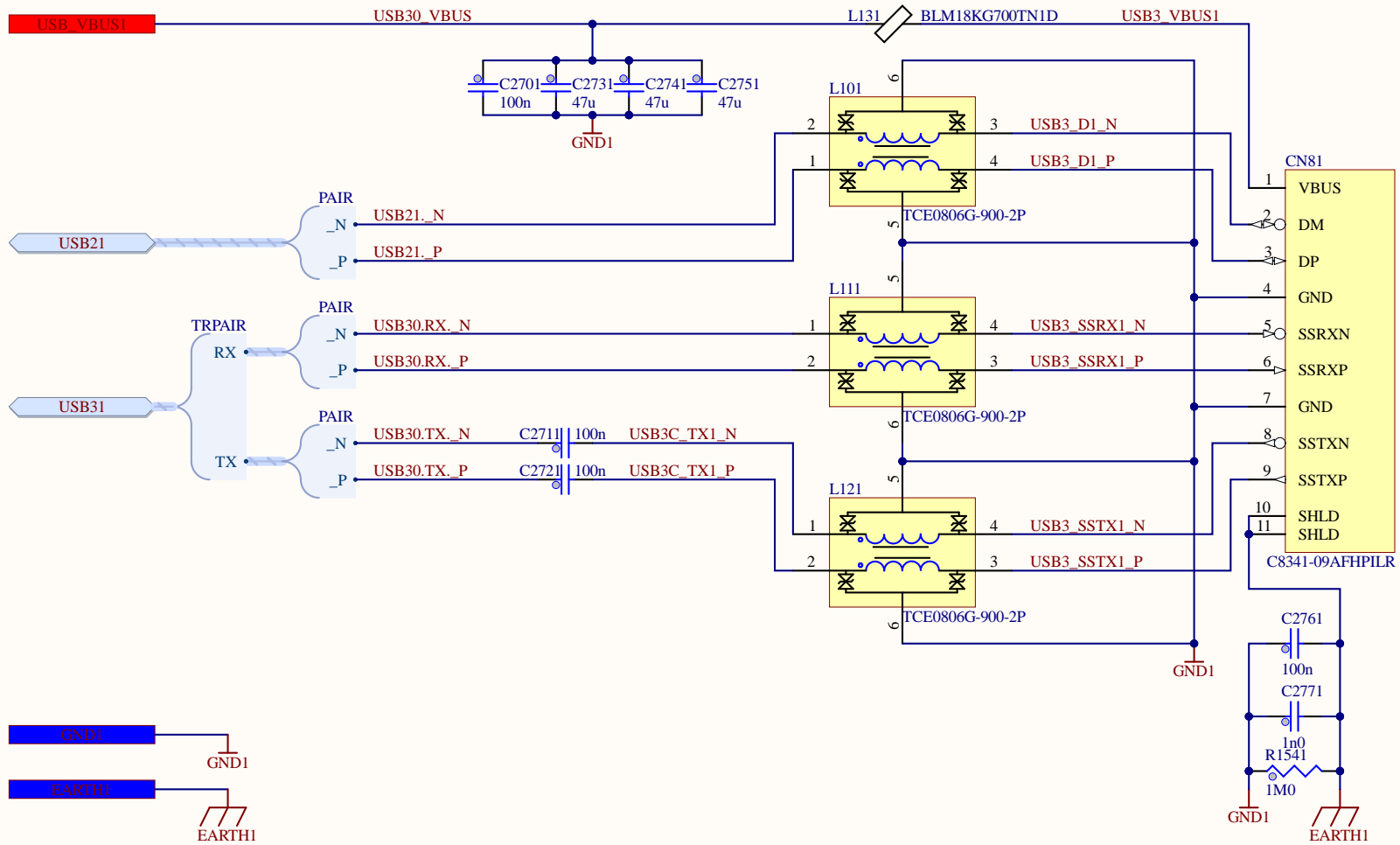


Author: Zbyněk Kos & Tomáš Rykl
 Engineer: Zbyněk Kos & Tomáš Rykl
 Drawn by: Zbyněk Kos
 Checked by: Tomáš Rykl
 Approved by: *
<http://www.nic.cz>

Title: **Turrís Omnia - USB 3.0**
 Document Number: CZ11NIC200000-11
 Sheet 11 of 20
 Name: Turrís_Lite_USB.SchDoc

Revision: 200000
 Date: * *

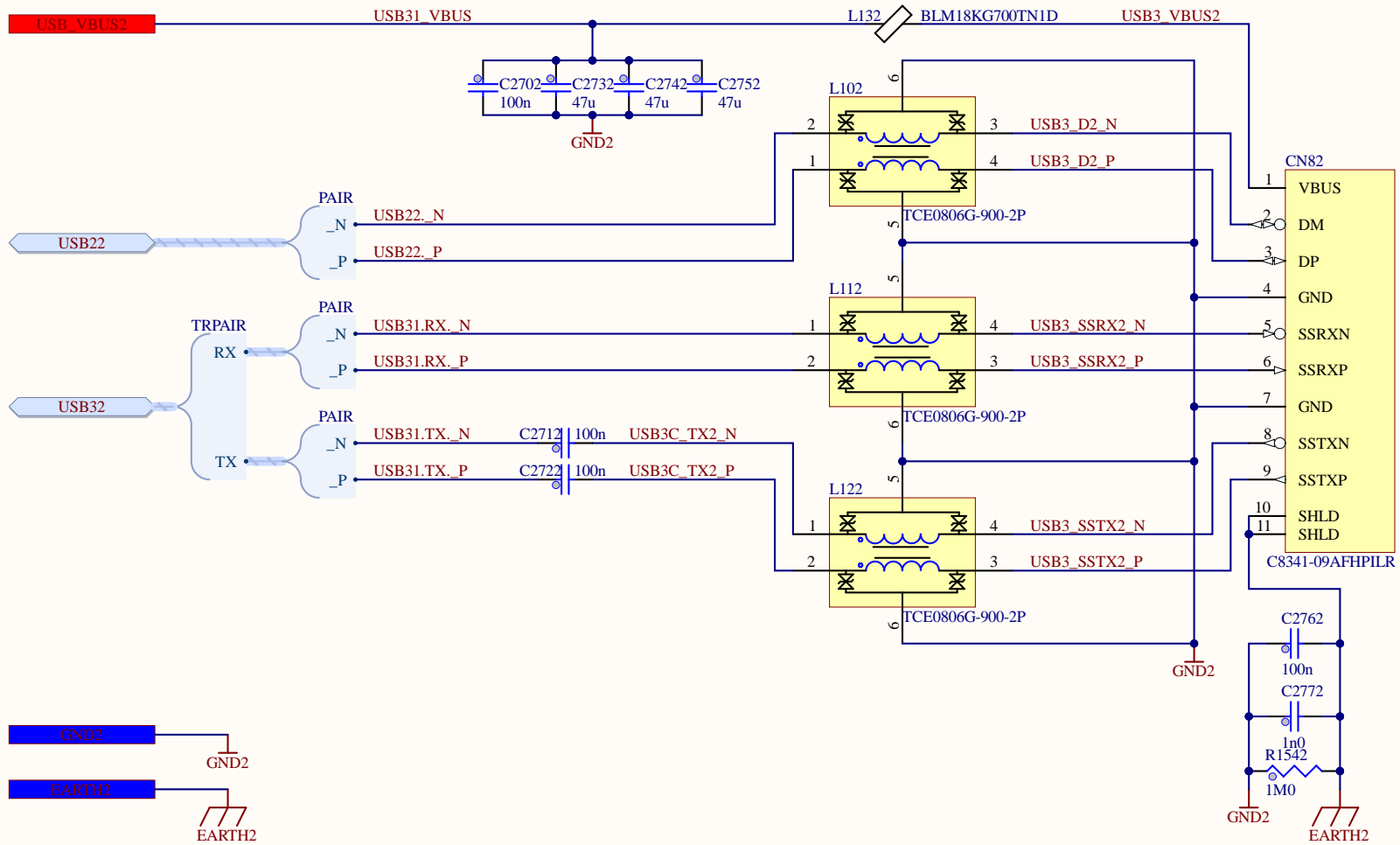
CZ.NIC, z.s.p.o.
 Milešovská 5
 130 00 Praha 3



Author: Zbyněk Kos & Tomáš Rykl
 Engineer: Zbyněk Kos & Tomáš Rykl
 Drawn by: Zbyněk Kos
 Checked by: Tomáš Rykl
 Approved by: *
<http://www.nic.cz>

Title: **Turrus Omnia - USB 3.0 - Single Slot**
 Document Number: CZ11NIC200000-12 Revision: 200000
 Sheet 12 of 20 Date: * *
 Name: Turrus_Lite_USB3.SchDoc

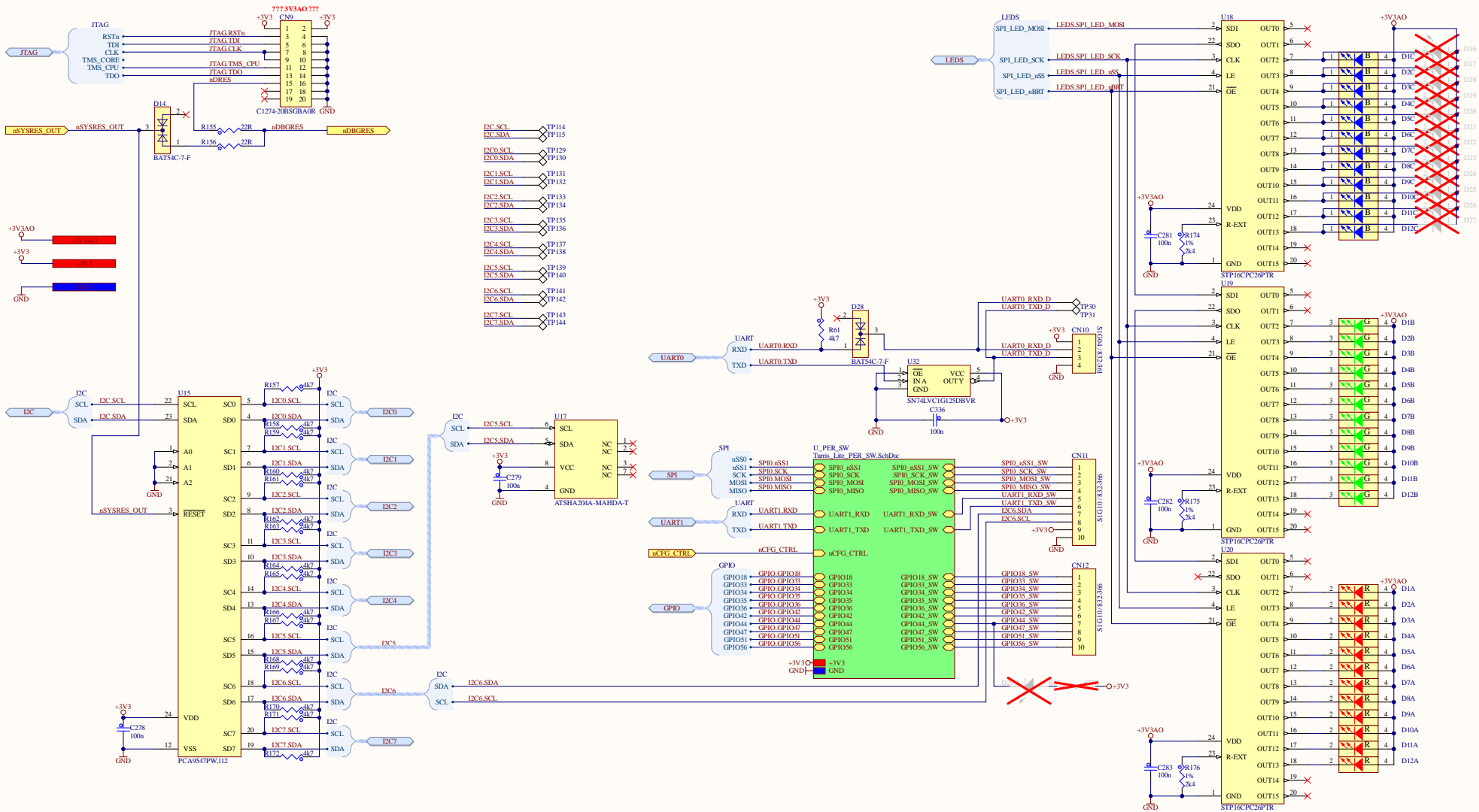
CZ.NIC, z.s.p.o.
 Milešovská 5
 130 00 Praha 3

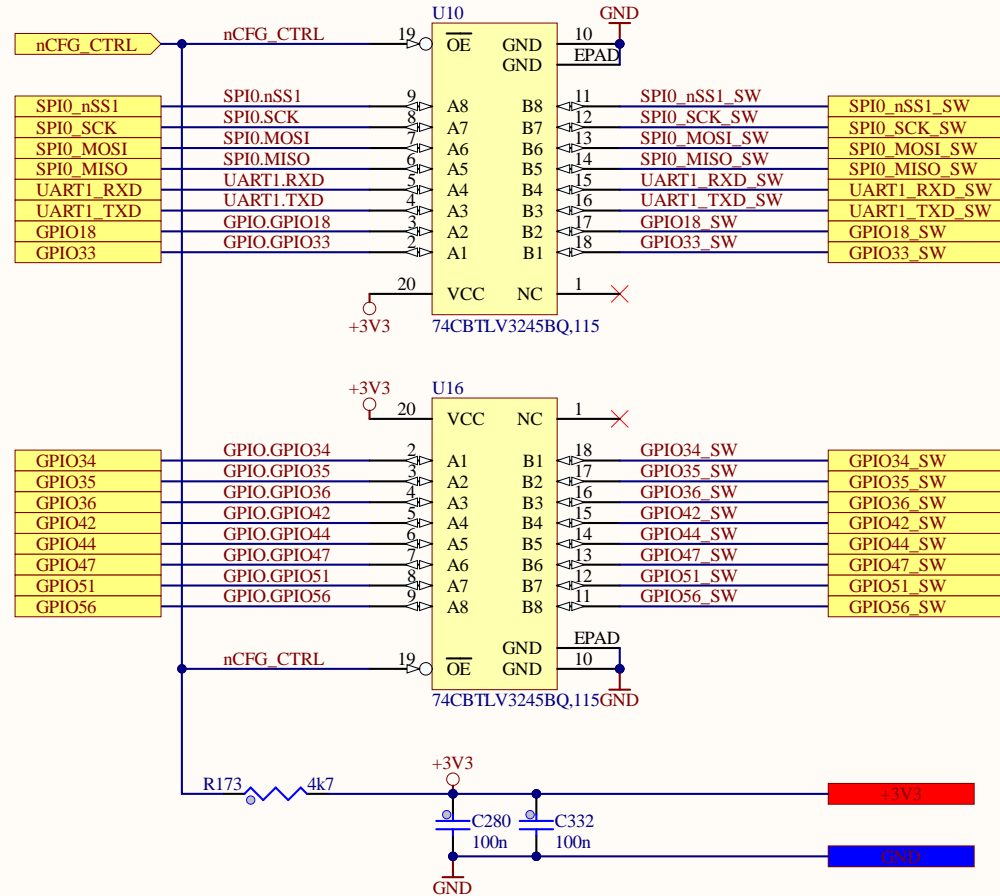


Author: Zbyněk Kos & Tomáš Rykl
 Engineer: Zbyněk Kos & Tomáš Rykl
 Drawn by: Zbyněk Kos
 Checked by: Tomáš Rykl
 Approved by: *
<http://www.nic.cz>

Title: **Turris Omnia - USB 3.0 - Single Slot**
 Document Number: CZ11NIC200000-12
 Sheet 12 of 20
 Name: Turris_Lite_USB3.SchDoc

CZ.NIC, z.s.p.o.
 Milešovská 5
 130 00 Praha 3

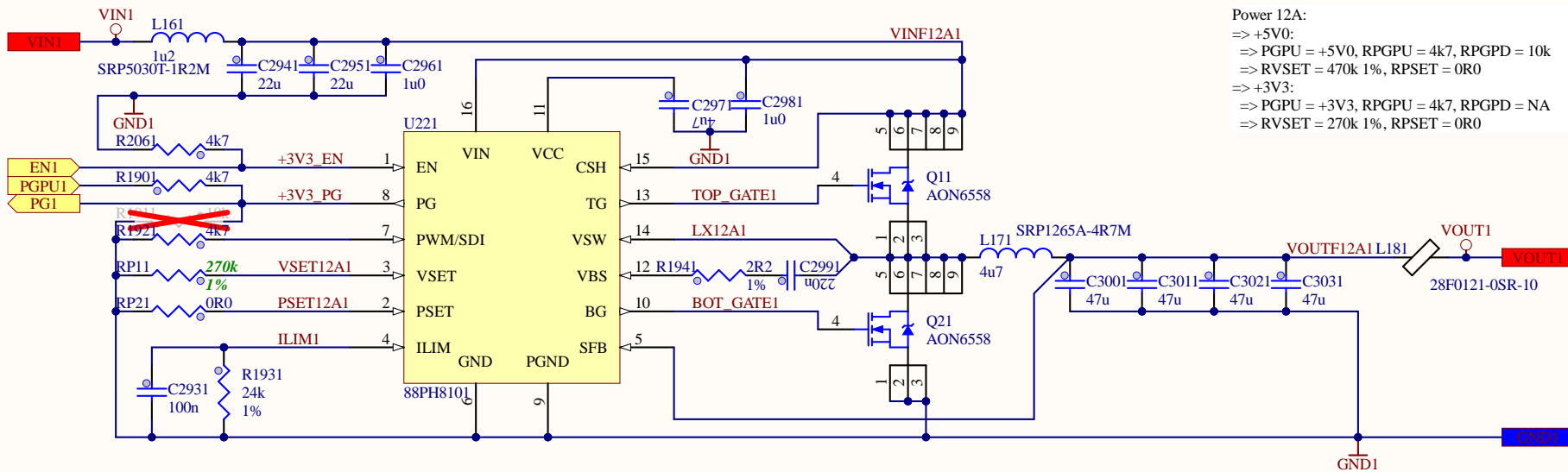




Author: Zbyněk Kos & Tomáš Rykl
 Engineer: Zbyněk Kos & Tomáš Rykl
 Drawn by: Zbyněk Kos
 Checked by: Tomáš Rykl
 Approved by: *

Title: **Turris Omnia - PER - SW**
 Document Number: CZ11NIC200000-14
 Sheet 14 of 20
 Revision: 200000
 Date: * *
 Name: Turris_Lite_PER_SW.SchDoc

CZ.NIC, z.s.p.o.
 Milešovská 5
 130 00 Praha 3



Power 12A:
 => +5V0:
 => PGPU = +5V0, RGPU = 4k7, RGPDP = 10k
 => RVSET = 470k 1%, RPSET = 0R0
 => +3V3:
 => PGPU = +3V3, RGPU = 4k7, RGPDP = NA
 => RVSET = 270k 1%, RPSET = 0R0

Author: Zbyněk Kos & Tomáš Rykl
 Engineer: Zbyněk Kos & Tomáš Rykl
 Drawn by: Zbyněk Kos
 Checked by: Tomáš Rykl
 Approved by: *
<http://www.nic.cz>

Title: **Turris Omnia - Power - 12A Regulator**
 Document Number: CZ11NIC200000-16
 Sheet 16 of 20
 Name: Turris_Lite_PWR_12A.SchDoc

CZ.NIC, z.s.p.o.
 Milešovská 5
 130 00 Praha 3

A

B

C

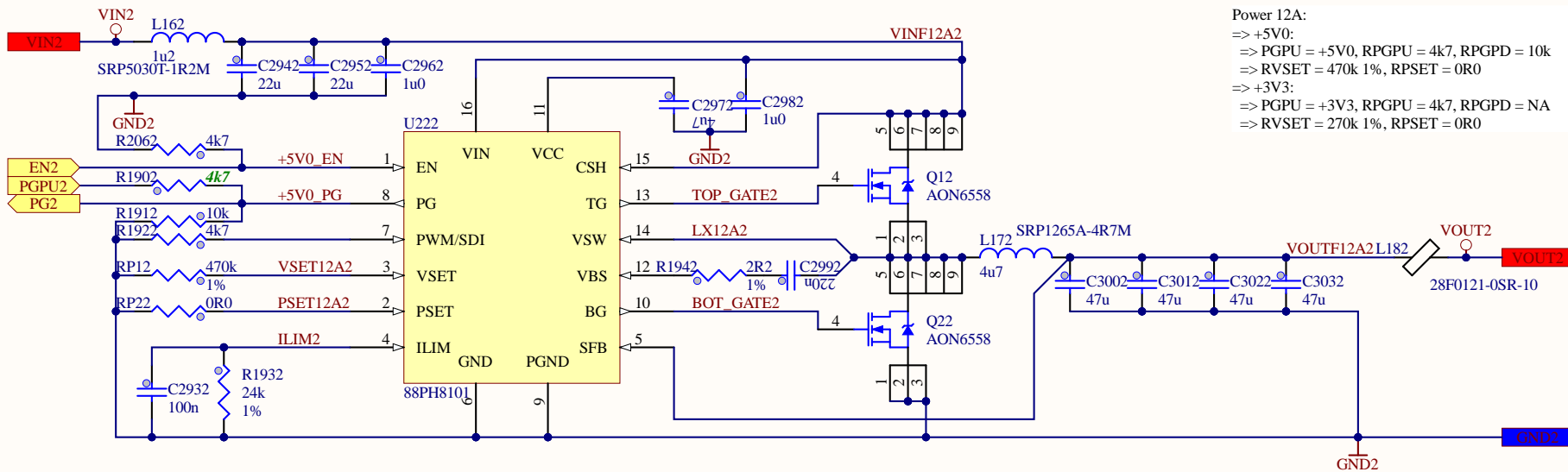
D

A

B

C

D

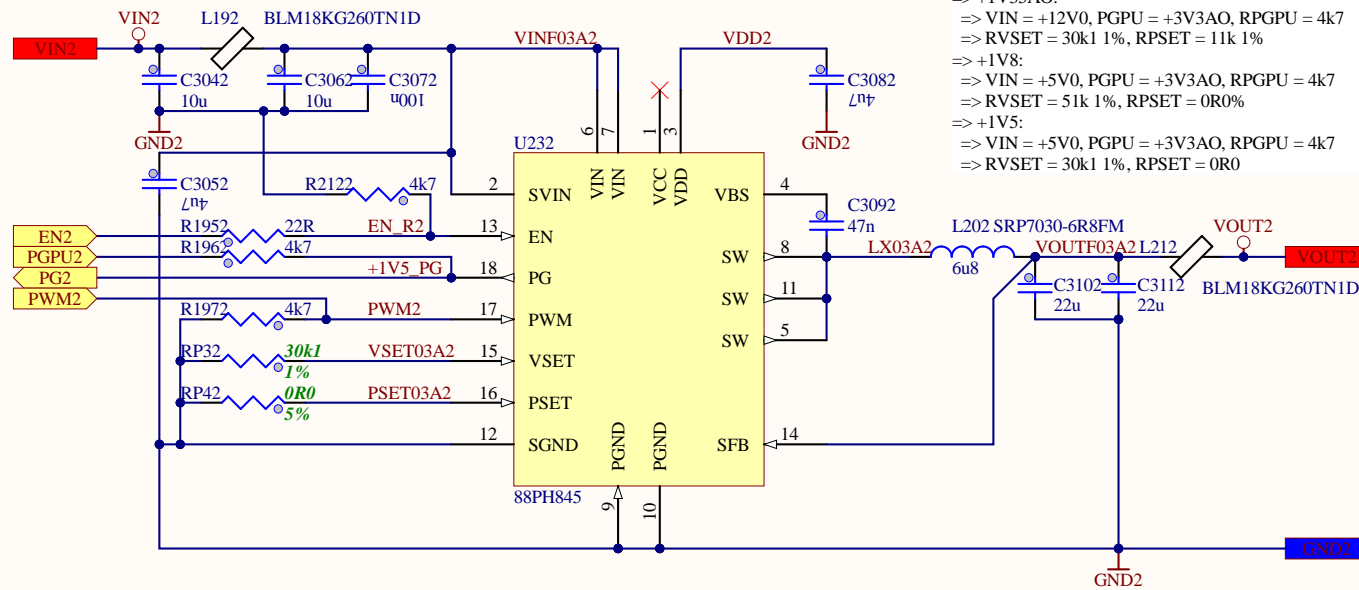


Power 12A:
 => +5V0:
 => PGPU = +5V0, RGPU = 4k7, RGPDP = 10k
 => RVSET = 470k 1%, RPSET = 0R0
 => +3V3:
 => PGPU = +3V3, RGPU = 4k7, RGPDP = NA
 => RVSET = 270k 1%, RPSET = 0R0

Author: Zbyněk Kos & Tomáš Rykl
 Engineer: Zbyněk Kos & Tomáš Rykl
 Drawn by: Zbyněk Kos
 Checked by: Tomáš Rykl
 Approved by: *
<http://www.nic.cz>

Title: **Turris Omnia - Power - 12A Regulator**
 Document Number: CZ11NIC200000-16
 Sheet 16 of 20
 Name: Turris_Lite_PWR_12A.SchDoc

CZ.NIC, z.s.p.o.
 Milešovská 5
 130 00 Praha 3



Power 03A:

=> +4V5:

=> VIN = +12V, PGPU = +3V3AO, RPGPU = 4k7

=> RVSET = 470k 1%, RPSET = 11k 1%

=> +3V3AO:

=> VIN = +12V0, PGPU = +12V0, RPGPU = 4k7

=> RVSET = 270k 1%, RPSET = 0R0

=> EN_PD = NA

=> +1V35AO:

=> VIN = +12V0, PGPU = +3V3AO, RPGPU = 4k7

=> RVSET = 30k1 1%, RPSET = 11k 1%

=> +1V8:

=> VIN = +5V0, PGPU = +3V3AO, RPGPU = 4k7

=> RVSET = 51k 1%, RPSET = 0R0%

=> +1V5:

=> VIN = +5V0, PGPU = +3V3AO, RPGPU = 4k7

=> RVSET = 30k1 1%, RPSET = 0R0

Author: Zbyněk Kos & Tomáš Rykl
 Engineer: Zbyněk Kos & Tomáš Rykl
 Drawn by: Zbyněk Kos
 Checked by: Tomáš Rykl
 Approved by: *

<http://www.nic.cz>

Title: **Turris Omnia - Power - 3A Regulator**

Document Number: CZ11NIC200000-17

Revision: 200000

Sheet 17 of 20

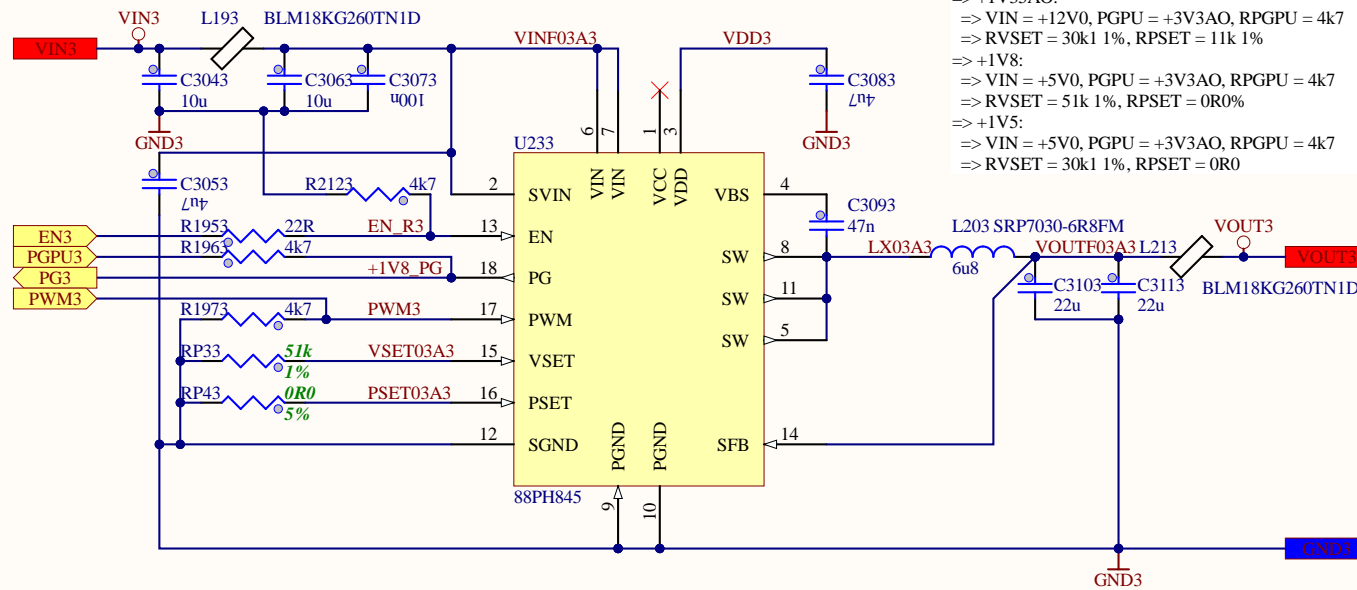
Date: *

*

Name: Turris_Lite_PWR_03A.SchDoc

CZ.NIC, z.s.p.o.
 Milešovská 5
 130 00 Praha 3

CZ.nic



Power 03A:

=> +4V5:

=> VIN = +12V, PGPU = +3V3AO, RPGPU = 4k7

=> RVSET = 470k 1%, RPSET = 11k 1%

=> +3V3AO:

=> VIN = +12V0, PGPU = +12V0, RPGPU = 4k7

=> RVSET = 270k 1%, RPSET = 0R0

=> EN_PD = NA

=> +1V35AO:

=> VIN = +12V0, PGPU = +3V3AO, RPGPU = 4k7

=> RVSET = 30k1 1%, RPSET = 11k 1%

=> +1V8:

=> VIN = +5V0, PGPU = +3V3AO, RPGPU = 4k7

=> RVSET = 51k 1%, RPSET = 0R0%

=> +1V5:

=> VIN = +5V0, PGPU = +3V3AO, RPGPU = 4k7

=> RVSET = 30k1 1%, RPSET = 0R0

Author: Zbyněk Kos & Tomáš Rykl
 Engineer: Zbyněk Kos & Tomáš Rykl
 Drawn by: Zbyněk Kos
 Checked by: Tomáš Rykl
 Approved by: *

<http://www.nic.cz>

Title: **Turrís Omnia - Power - 3A Regulator**

Document Number: CZ11NIC200000-17

Revision: 200000

Sheet 17 of 20

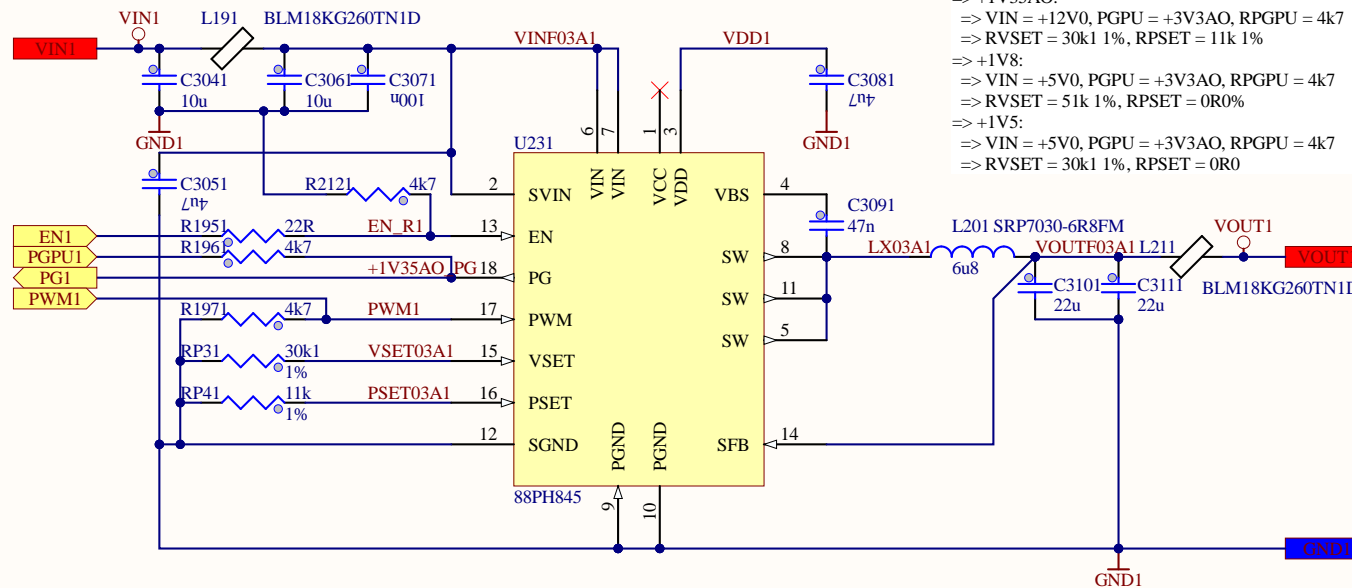
Date: *

*

Name: Turrís_Lite_PWR_03A.SchDoc

CZ.NIC, z.s.p.o.
 Milešovská 5
 130 00 Praha 3

CZ.nic



Power 03A:

=> +4V5:

=> VIN = +12V, PGPU = +3V3AO, RPGPU = 4k7

=> RVSET = 470k 1%, RPSET = 11k 1%

=> +3V3AO:

=> VIN = +12V0, PGPU = +12V0, RPGPU = 4k7

=> RVSET = 270k 1%, RPSET = 0R0

=> EN_PD = NA

=> +1V35AO:

=> VIN = +12V0, PGPU = +3V3AO, RPGPU = 4k7

=> RVSET = 30k1 1%, RPSET = 11k 1%

=> +1V8:

=> VIN = +5V0, PGPU = +3V3AO, RPGPU = 4k7

=> RVSET = 51k 1%, RPSET = 0R0%

=> +1V5:

=> VIN = +5V0, PGPU = +3V3AO, RPGPU = 4k7

=> RVSET = 30k1 1%, RPSET = 0R0

Author: Zbyněk Kos & Tomáš Rykl
 Engineer: Zbyněk Kos & Tomáš Rykl
 Drawn by: Zbyněk Kos
 Checked by: Tomáš Rykl
 Approved by: *

<http://www.nic.cz>

Title: **Turris Omnia - Power - 3A Regulator**

Document Number: CZ11NIC200000-17

Revision: 200000

Sheet 17 of 20

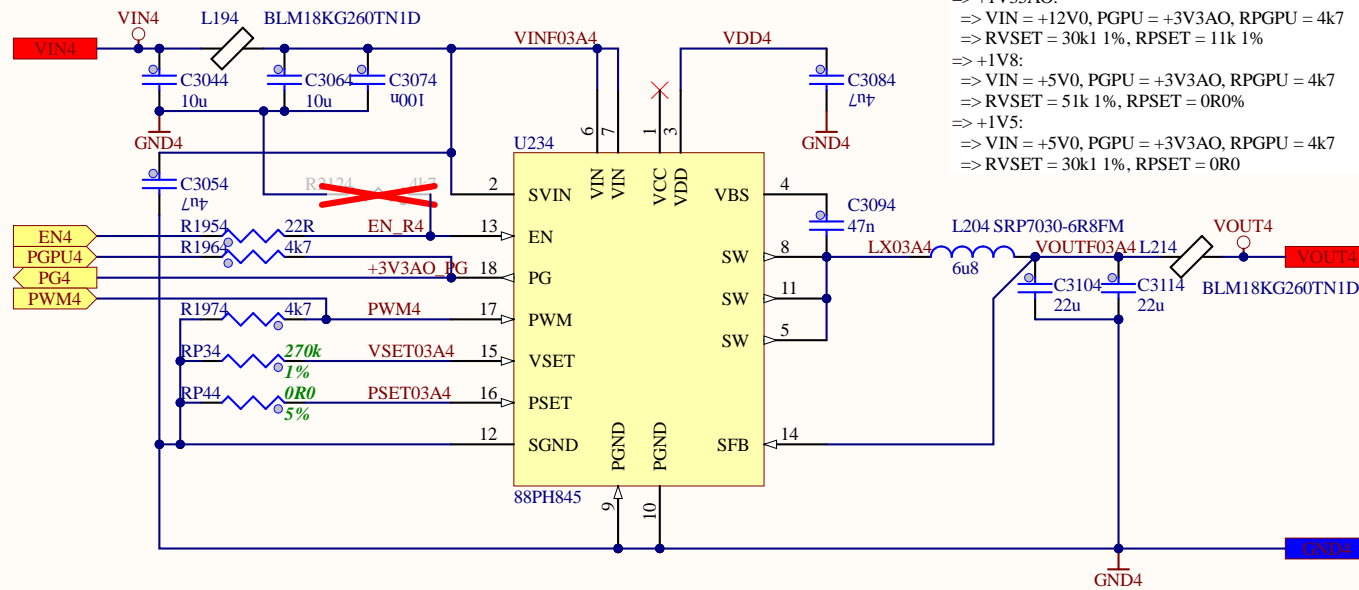
Date: *

*

Name: Turris_Lite_PWR_03A.SchDoc

CZ.NIC, z.s.p.o.
 Milešovská 5
 130 00 Praha 3

CZ.nic



Power 03A:

=> +4V5:

=> VIN = +12V, PGPU = +3V3AO, RPGPU = 4k7

=> RVSET = 470k 1%, RPSET = 11k 1%

=> +3V3AO:

=> VIN = +12V0, PGPU = +12V0, RPGPU = 4k7

=> RVSET = 270k 1%, RPSET = 0R0

=> EN_PD = NA

=> +1V35AO:

=> VIN = +12V0, PGPU = +3V3AO, RPGPU = 4k7

=> RVSET = 30k1 1%, RPSET = 11k 1%

=> +1V8:

=> VIN = +5V0, PGPU = +3V3AO, RPGPU = 4k7

=> RVSET = 51k 1%, RPSET = 0R0%

=> +1V5:

=> VIN = +5V0, PGPU = +3V3AO, RPGPU = 4k7

=> RVSET = 30k1 1%, RPSET = 0R0

Author: Zbyněk Kos & Tomáš Rykl
 Engineer: Zbyněk Kos & Tomáš Rykl
 Drawn by: Zbyněk Kos
 Checked by: Tomáš Rykl
 Approved by: *

<http://www.nic.cz>

Title: **Turrís Omnia - Power - 3A Regulator**

Document Number: CZ11NIC200000-17

Revision: 200000

Sheet 17 of 20

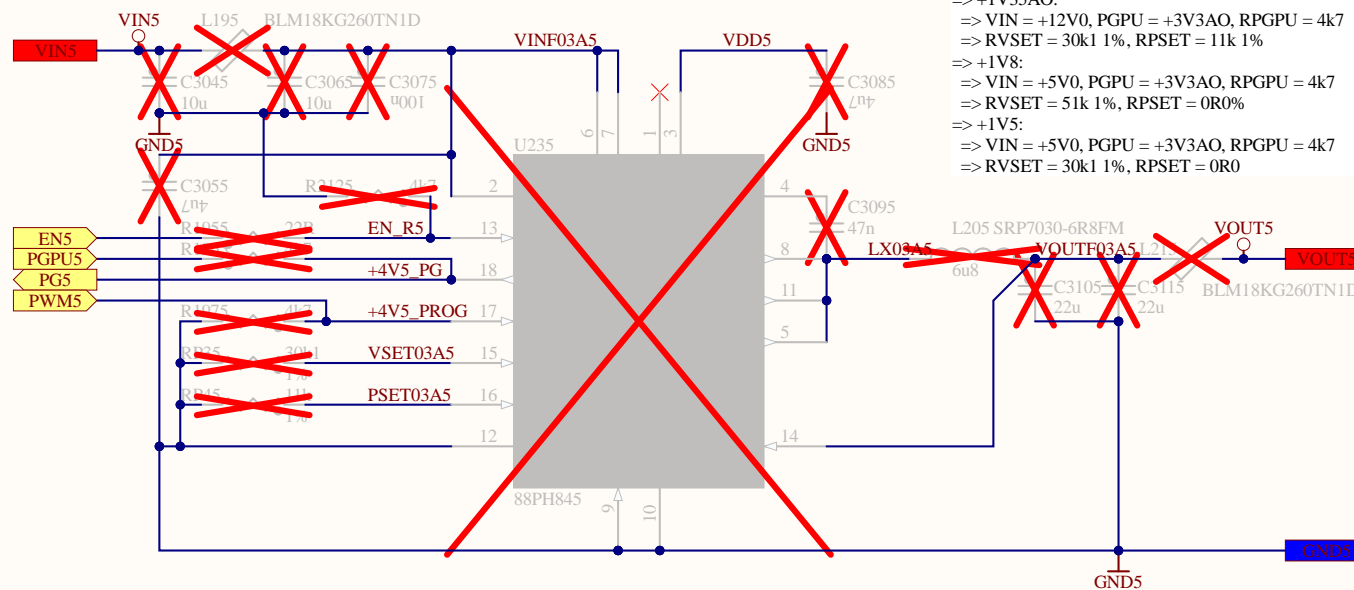
Date: *

*

Name: Turrís_Lite_PWR_03A.SchDoc

CZ.NIC, z.s.p.o.
 Milešovská 5
 130 00 Praha 3





Power 03A:

=> +4V5:

=> VIN = +12V, PGPU = +3V3AO, RPGPU = 4k7

=> RVSET = 470k 1%, RPSET = 11k 1%

=> +3V3AO:

=> VIN = +12V0, PGPU = +12V0, RPGPU = 4k7

=> RVSET = 270k 1%, RPSET = 0R0

=> EN_PD = NA

=> +1V35AO:

=> VIN = +12V0, PGPU = +3V3AO, RPGPU = 4k7

=> RVSET = 30k1 1%, RPSET = 11k 1%

=> +1V8:

=> VIN = +5V0, PGPU = +3V3AO, RPGPU = 4k7

=> RVSET = 51k 1%, RPSET = 0R0%

=> +1V5:

=> VIN = +5V0, PGPU = +3V3AO, RPGPU = 4k7

=> RVSET = 30k1 1%, RPSET = 0R0

Author: Zbyněk Kos & Tomáš Rykl
 Engineer: Zbyněk Kos & Tomáš Rykl
 Drawn by: Zbyněk Kos
 Checked by: Tomáš Rykl
 Approved by: *

<http://www.nic.cz>

Title: **Turris Omnia - Power - 3A Regulator**

Document Number: CZ11NIC200000-17

Revision: 200000

Sheet 17 of 20

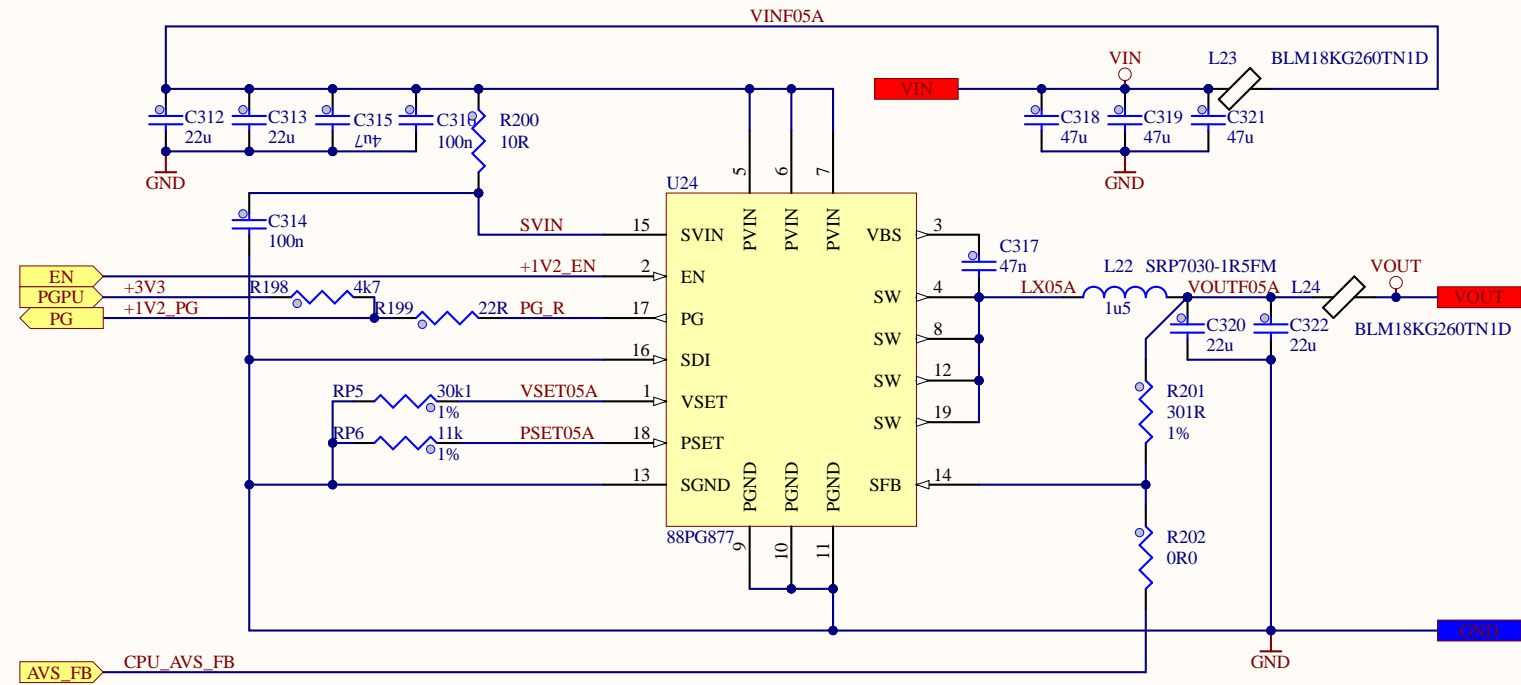
Date: *

*

Name: Turris_Lite_PWR_03A.SchDoc

CZ.NIC, z.s.p.o.
 Milešovská 5
 130 00 Praha 3

CZ.nic

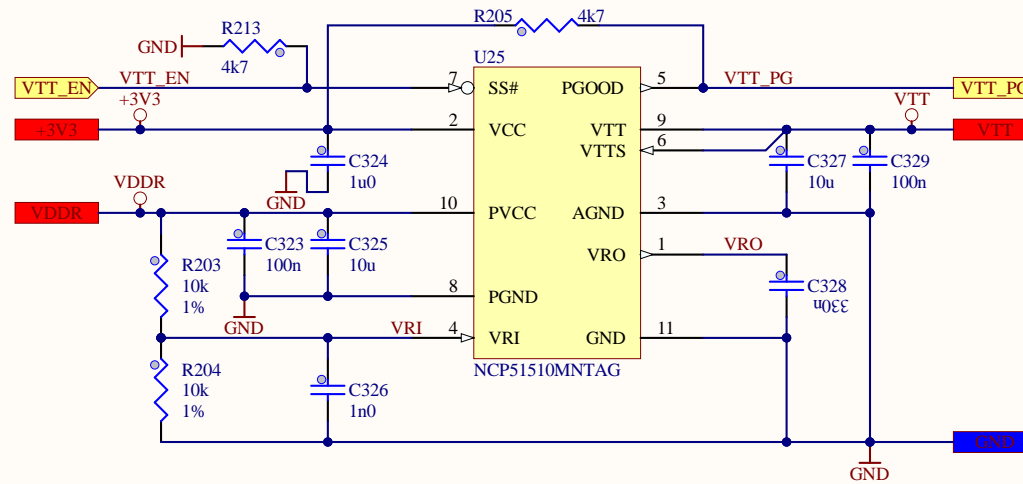


Author: Zbyněk Kos & Tomáš Rykl
 Engineer: Zbyněk Kos & Tomáš Rykl
 Drawn by: Zbyněk Kos
 Checked by: Tomáš Rykl
 Approved by: *
<http://www.nic.cz>

Title: **Turris Omnia - Power - 5A Regulator**
 Document Number: CZ11NIC200000-18
 Sheet 18 of 20
 Name: Turris_Lite_PWR_05A.SchDoc

CZ.NIC, z.s.p.o.
 Milešovská 5
 130 00 Praha 3



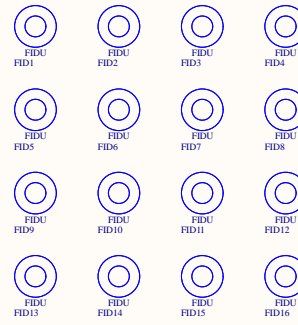
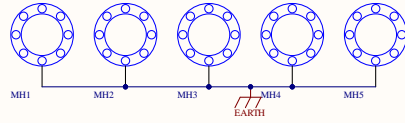
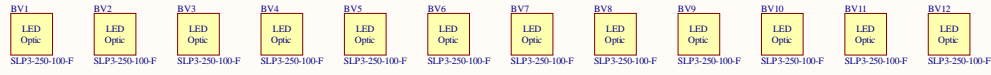
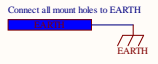


Author: Zbyněk Kos & Tomáš Rykl
 Engineer: Zbyněk Kos & Tomáš Rykl
 Drawn by: Zbyněk Kos
 Checked by: Tomáš Rykl
 Approved by: *
<http://www.nic.cz>

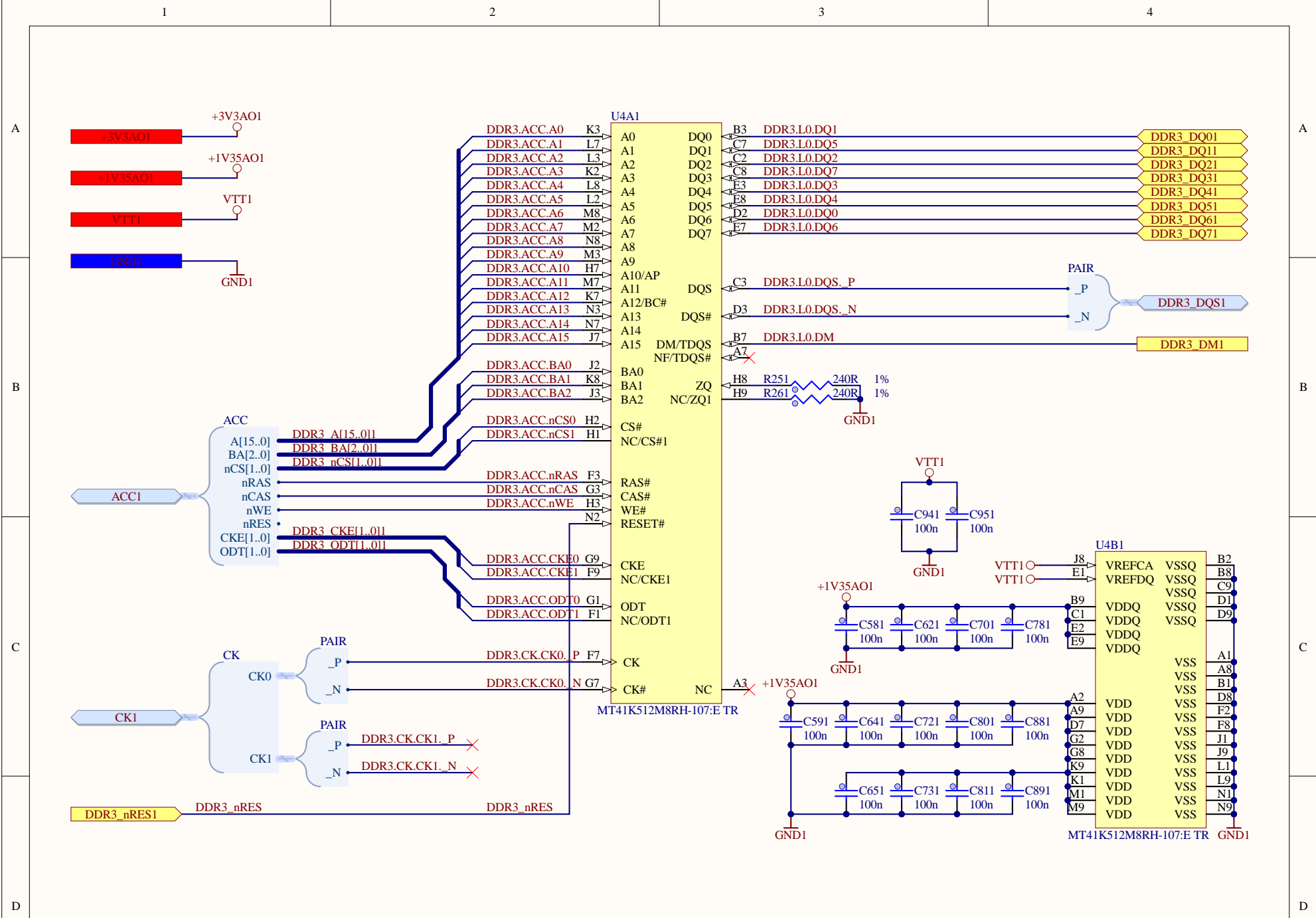
Title: **Turris Omnia - Power - VTT Regulator**
 Document Number: CZ11NIC200000-19
 Sheet 19 of 20
 Name: Turris_Lite_PWR_VTT.SchDoc

CZ.NIC, z.s.p.o.
 Milešovská 5
 130 00 Praha 3

Mechanical components
 - mounting holes
 - screws
 - box elements
 - distribution box
 - distribution box content (manual etc.)
 - fiducial marks????
 - etc.



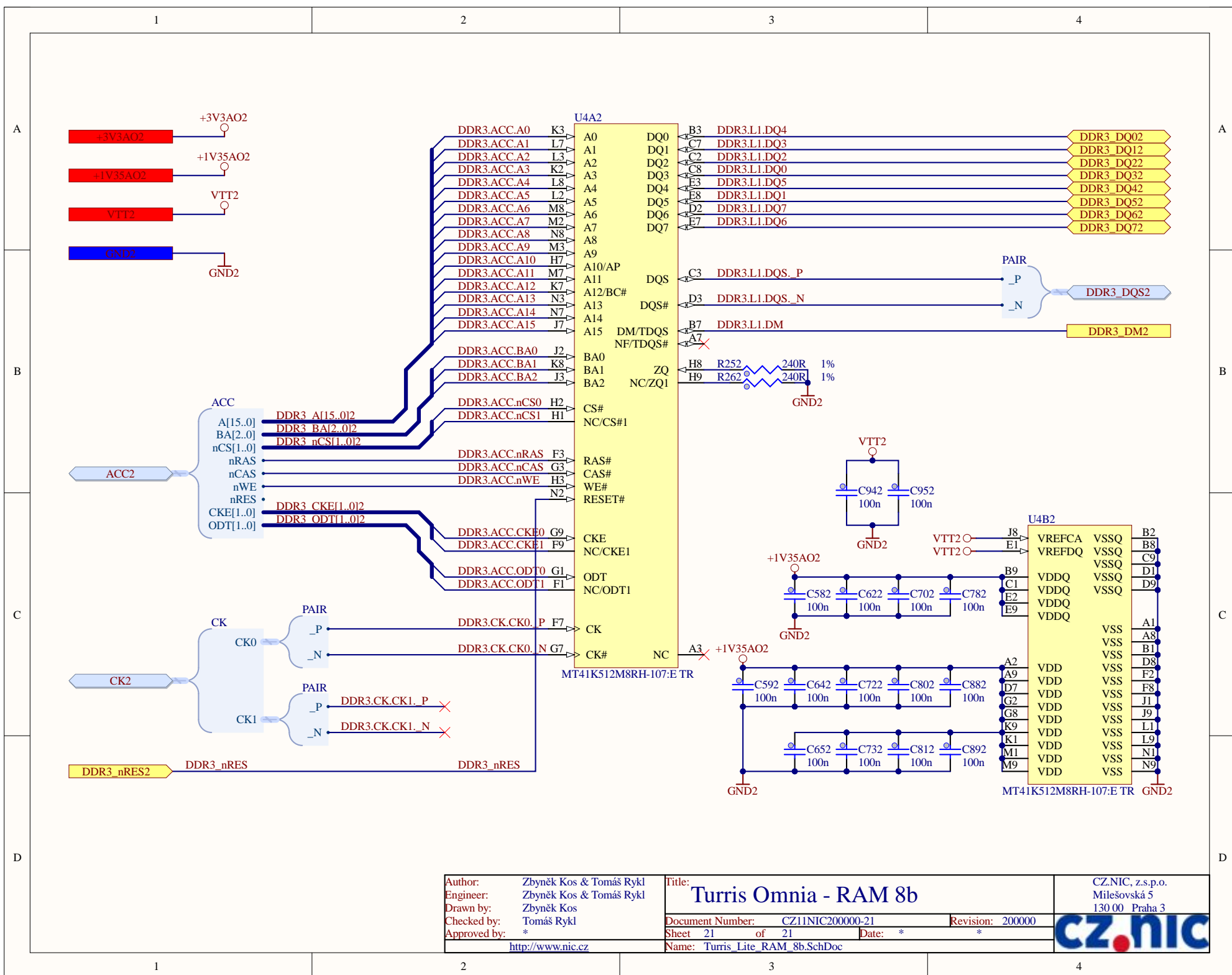
- Screws
- Heatsinks
- Thermal tapes
- Thermal polymers
- AL Box parts
- Battery
- Antennas
- Paper Box
- Manual
- Power Supply
- ETH cables - optional
- WiFi cards - optional
- Diplexers - optional
- SFP module - optional
- Jumper



Author: Zbyněk Kos & Tomáš Rykl
 Engineer: Zbyněk Kos & Tomáš Rykl
 Drawn by: Zbyněk Kos
 Checked by: Tomáš Rykl
 Approved by: *

Title: **Turris Omnia - RAM 8b**
 Document Number: CZ11NIC20000-21
 Sheet 21 of 21
 Name: Turris_Lite_RAM_8b.SchDoc

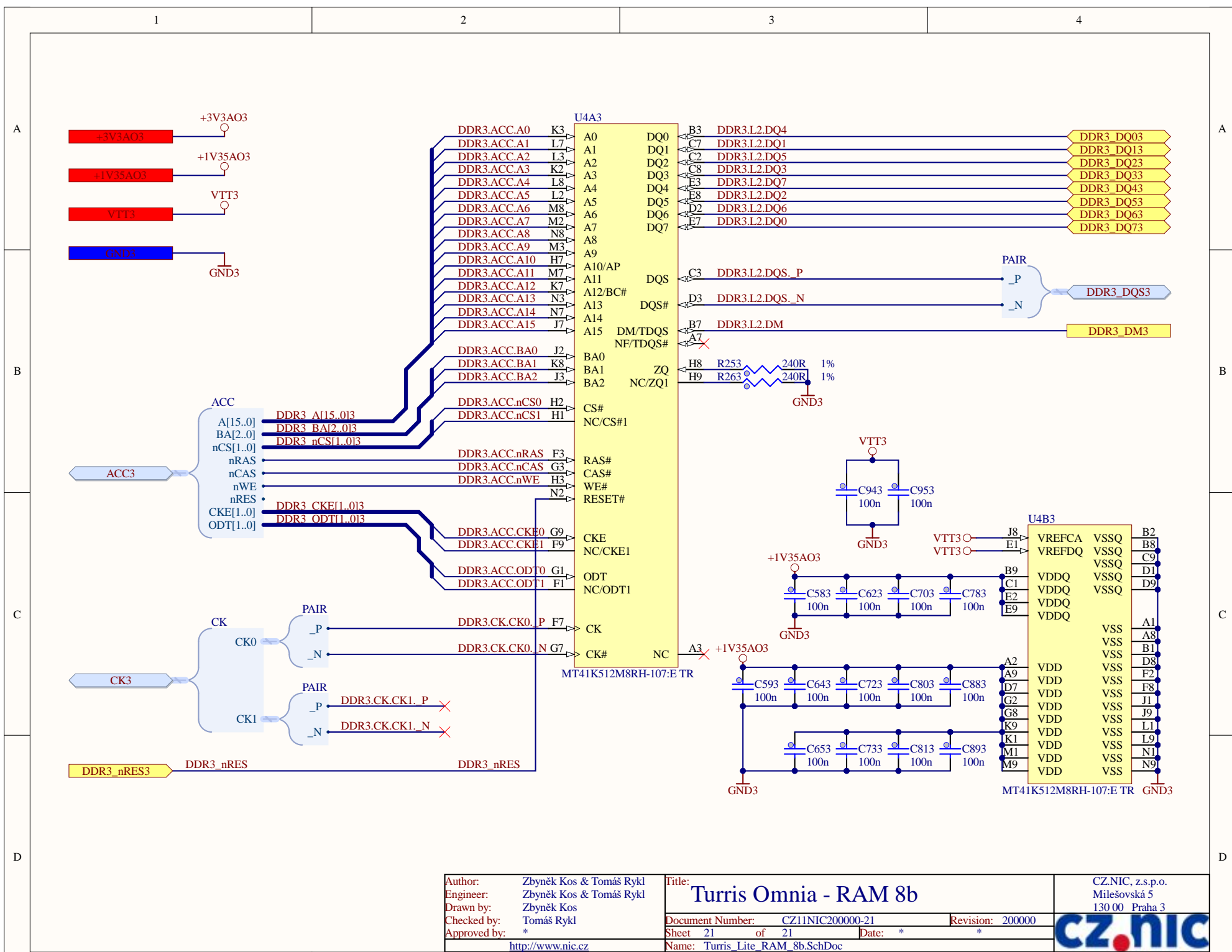
CZ.NIC, z.s.p.o.
 Milešovská 5
 130 00 Praha 3
CZ.nic



Author: Zbyněk Kos & Tomáš Rykl
 Engineer: Zbyněk Kos & Tomáš Rykl
 Drawn by: Zbyněk Kos
 Checked by: Tomáš Rykl
 Approved by: *

Title: **Turris Omnia - RAM 8b**
 Document Number: CZ11NIC20000-21
 Sheet 21 of 21
 Revision: 20000
 Date: * *
 Name: Turris_Lite_RAM_8b.SchDoc

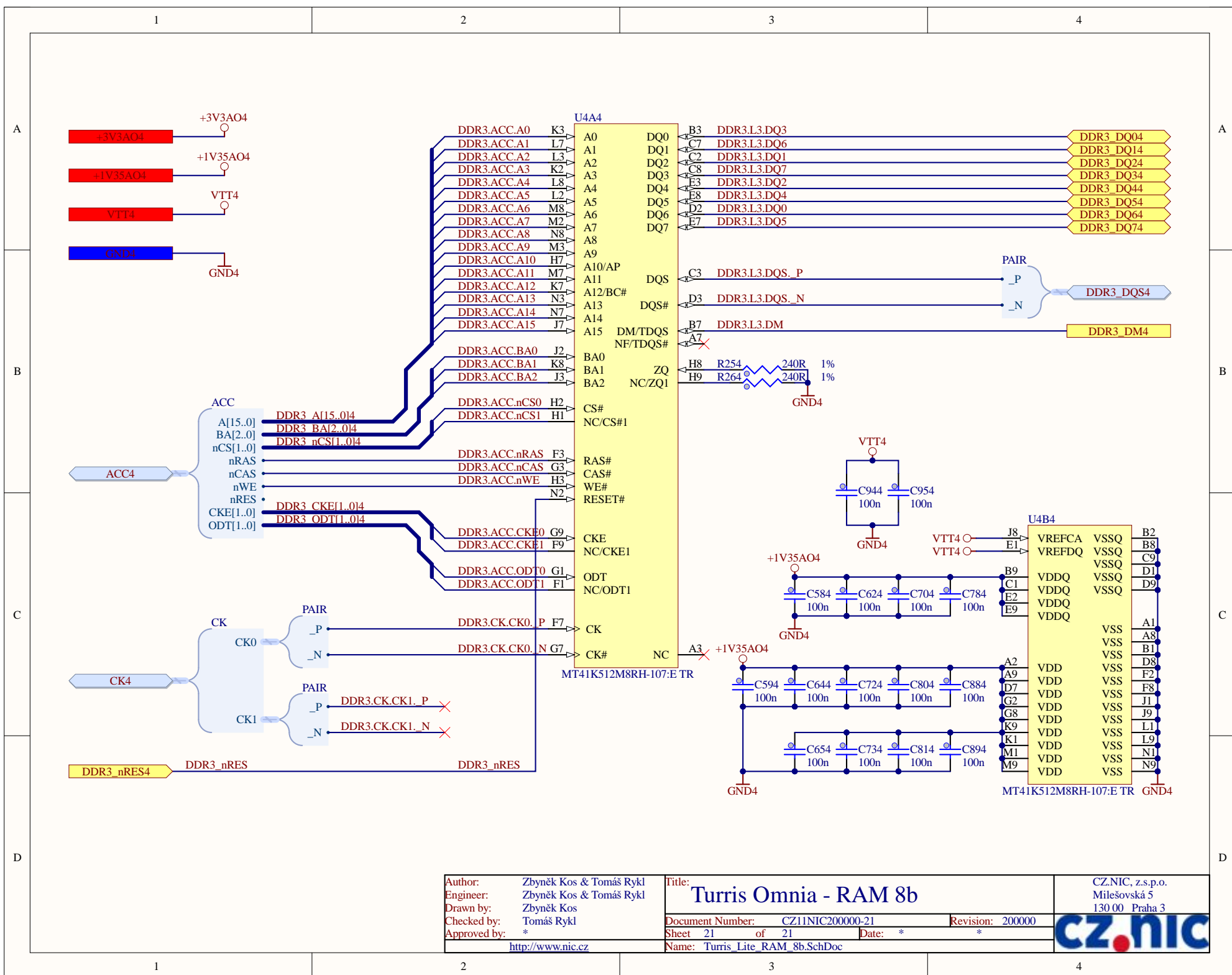
CZ.NIC, z.s.p.o.
 Milešovská 5
 130 00 Praha 3



Author: Zbyněk Kos & Tomáš Rykl
 Engineer: Zbyněk Kos & Tomáš Rykl
 Drawn by: Zbyněk Kos
 Checked by: Tomáš Rykl
 Approved by: *

Title: **Turris Omnia - RAM 8b**
 Document Number: CZ11NIC20000-21
 Sheet 21 of 21
 Name: Turris_Lite_RAM_8b.SchDoc
 Revision: 20000
 Date: * * *

CZ.NIC, z.s.p.o.
 Milešovská 5
 130 00 Praha 3



Author: Zbyněk Kos & Tomáš Rykl
 Engineer: Zbyněk Kos & Tomáš Rykl
 Drawn by: Zbyněk Kos
 Checked by: Tomáš Rykl
 Approved by: *

Title: **Turris Omnia - RAM 8b**
 Document Number: CZ11NIC20000-21
 Sheet 21 of 21
 Name: Turris_Lite_RAM_8b.SchDoc
 Revision: 20000
 Date: * *

CZ.NIC, z.s.p.o.
 Milešovská 5
 130 00 Praha 3