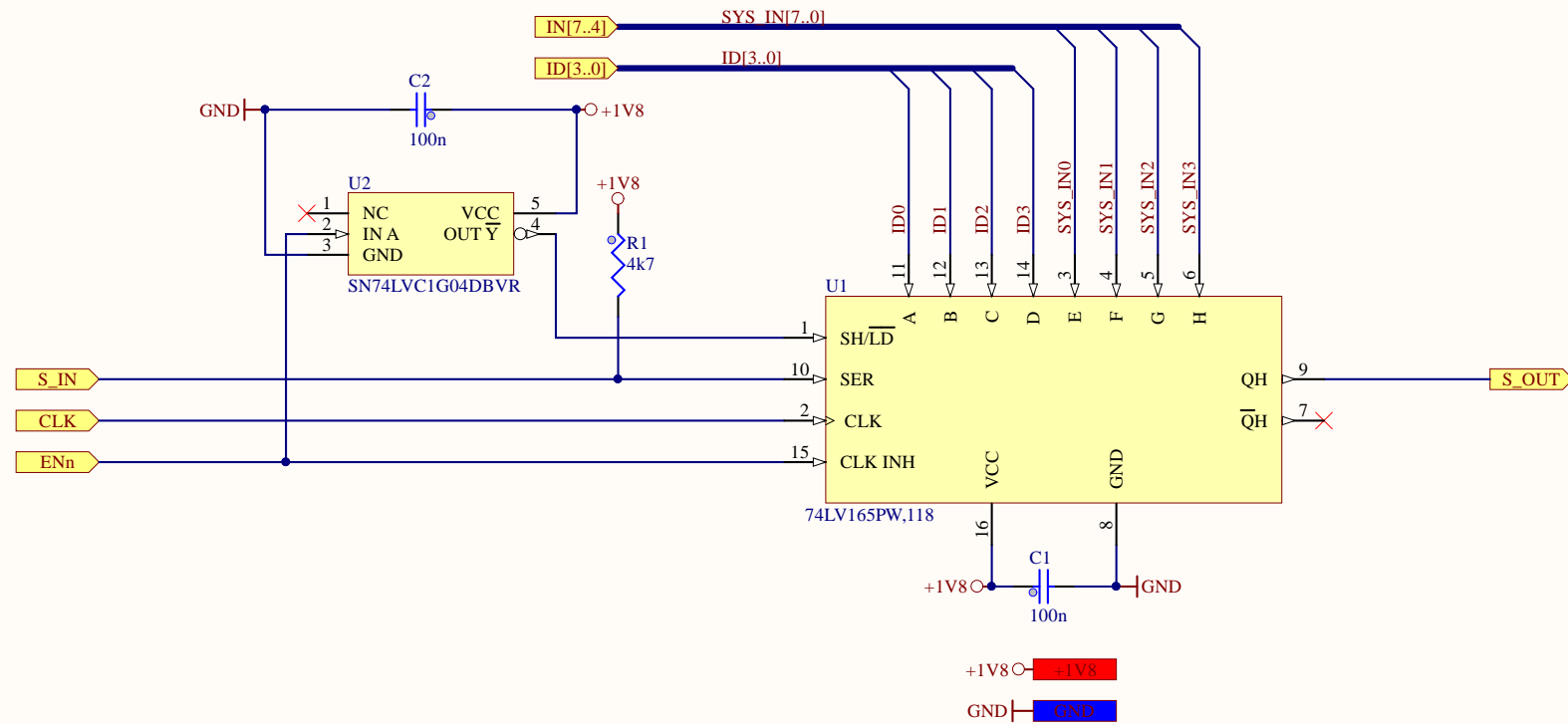


Author: Jiri Kovanda
 Engineer: Jiri Kovanda
 Drawn by: Jiri Kovanda
 Checked by: *
 Approved by: *
<http://www.nic.cz>

Title: **Turris Mox PCIe Bridge - Top**
 Document Number: CZ36NIC010000-1
 Sheet 1 of 13
 Name: CZ36NIC_Card.schdoc

CZ.NIC, z.s.p.o.
 Milešovská 5
 130 00 Praha 3



Author: Zbyněk Kos & Tomáš Rykl
 Engineer: Zbyněk Kos
 Drawn by: Zbyněk Kos & Tomáš Rykl
 Checked by: Tomáš Rykl
 Approved by: *
<http://www.nic.cz>

Title: **Turris Mox PCIE Bridge - ID&In**
 Document Number: CZ36NIC010000-2
 Sheet 2 of 13
 Name: CZ36NIC_SYS_ID&IN.schdoc
 Revision: 010000
 Date: * *

CZ.NIC, z.s.p.o.
 Milešovská 5
 130 00 Praha 3

A

A

B

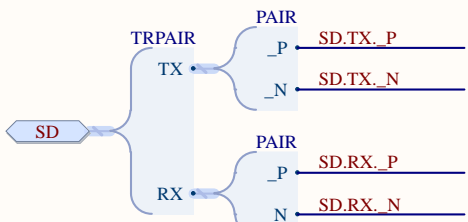
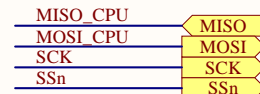
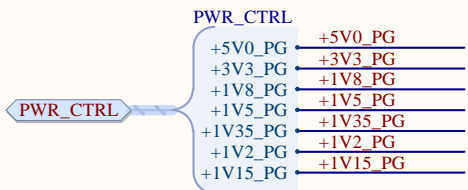
B

C

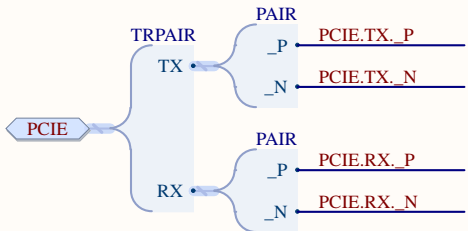
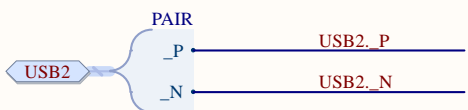
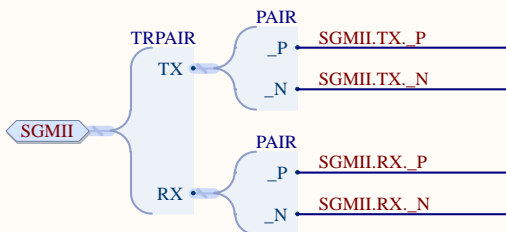
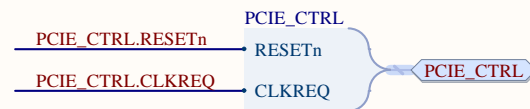
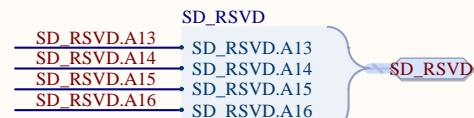
C

D

D



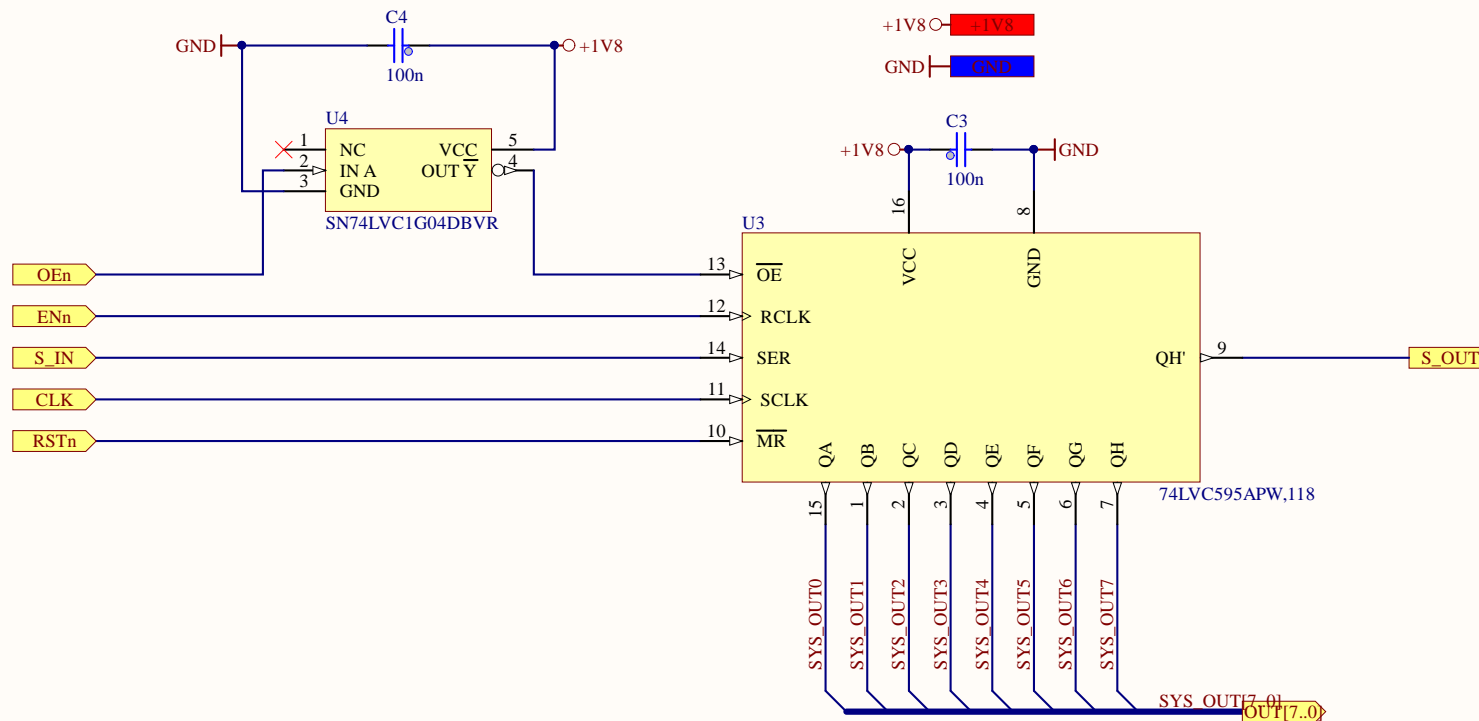
		P1			
GND	B1	A1	GND		
+12V0	B2	A2	+12V0		
+12V0	B3	A3	+12V0		
+5V0_PG	B4	A4	MISO_CPU		
+3V3_PG	B5	A5	MOSI_CPU		
+1V8_PG	B6	A6	SCK		
+1V5_PG	B7	A7	SSn		
+1V35_PG	B8	A8	SYSRSTn		
+1V2_PG	B9	A9	DEVRSTn		
+1V15_PG	B10	A10	INTn		
GND	B11	A11			○ +1V8
GND	B12	A12	GND		
SD.RX_P	B13	A13	SD_RSVD.A13		
SD.RX_N	B14	A14	SD_RSVD.A14		
SD.TX_P	B15	A15	SD_RSVD.A15		
SD.TX_N	B16	A16	SD_RSVD.A16		
GND	B17	A17	GND		
SGMII.TX_N	B18	A18	SMI.MDC		
SGMII.TX_P	B19	A19	SMI.MDIO		
SGMII.RX_N	B20	A20			
SGMII.RX_P	B21	A21			
GND	B22	A22	GND		
USB2_P	B23	A23	I2C.SCL		
USB2_N	B24	A24	I2C.SDA		
PCIE.RX_N	B25	A25			
PCIE.RX_P	B26	A26			
GND	B27	A27	GND		
PCIE.TX_N	B28	A28	PCIE_CTRL.RESETn		
PCIE.TX_P	B29	A29	PCIE_CTRL.CLKREQ		
PCIE_CLK_P	B30	A30			
PCIE_CLK_N	B31	A31			
GND	B32	A32	GND		



Author: Zbyněk Kos & Tomáš Rykl
 Engineer: Zbyněk Kos
 Drawn by: Zbyněk Kos & Tomáš Rykl
 Checked by: Tomáš Rykl
 Approved by: *
<http://www.nic.cz>

Title: **Turris Mox PCIE Bridge - In CN**
 Document Number: CZ36NIC010000-3
 Sheet 3 of 13
 Name: CZ36NIC_SYS_IN_CN.SchDoc

CZ.NIC, z.s.p.o.
 Milešovská 5
 130 00 Praha 3



Author: Zbyněk Kos & Tomáš Rykl
 Engineer: Zbyněk Kos
 Drawn by: Zbyněk Kos & Tomáš Rykl
 Checked by: Tomáš Rykl
 Approved by: *
<http://www.nic.cz>

Title: **Turris Mox PCIe Bridge - Out**
 Document Number: CZ36NIC010000-4
 Sheet 4 of 13
 Name: CZ36NIC_SYS_OUT.schdoc

Revision: 010000

Date: * *

CZ.NIC, z.s.p.o.
 Milešovská 5
 130 00 Praha 3



A

A

B

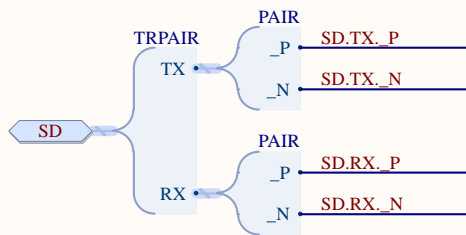
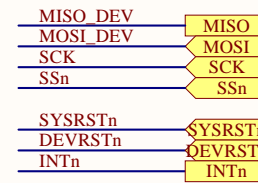
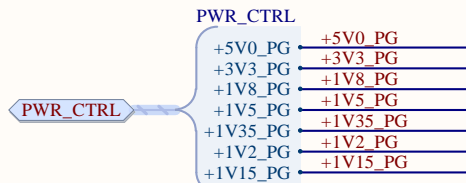
B

C

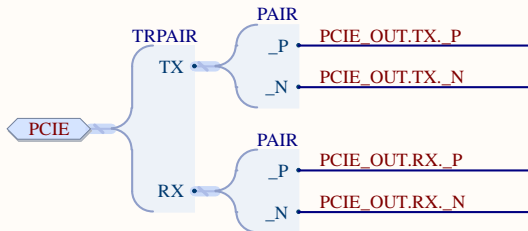
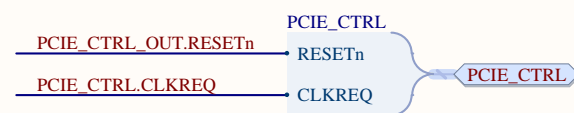
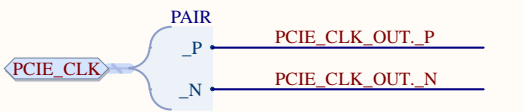
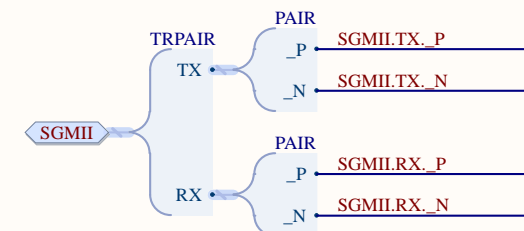
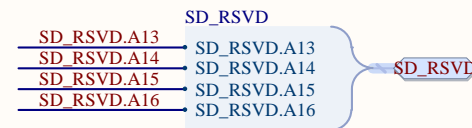
C

D

D



p2		A1	
GND	B1	A1	GND
+12V0	B2	A2	+12V0
+12V0	B3	A3	+12V0
+5V0_PG	B4	A4	MISO_DEV
+3V3_PG	B5	A5	MOSI_DEV
+1V8_PG	B6	A6	SCK
+1V5_PG	B7	A7	SSn
+1V35_PG	B8	A8	SYSRSTn
+1V2_PG	B9	A9	DEVRSTn
+1V15_PG	B10	A10	INTn
GND	B11	A11	
GND	B12	A12	GND
SD.RX_P	B13	A13	SD_RSVD.A13
SD.RX_N	B14	A14	SD_RSVD.A14
SD.TX_P	B15	A15	SD_RSVD.A15
SD.TX_N	B16	A16	SD_RSVD.A16
GND	B17	A17	GND
SGMII.TX_N	B18	A18	SMI.MDC
SGMII.TX_P	B19	A19	SMI.MDIO
SGMII.RX_N	B20	A20	
SGMII.RX_P	B21	A21	
GND	B22	A22	GND
USB2_OUT_P	B23	A23	I2C.SCL
USB2_OUT_N	B24	A24	I2C.SDA
PCIE_OUT.RX_N	B25	A25	
PCIE_OUT.RX_P	B26	A26	
GND	B27	A27	GND
PCIE_OUT.TX_N	B28	A28	PCIE_CTRL_OUT.RESETn
PCIE_OUT.TX_P	B29	A29	PCIE_CTRL.CLKREQ
PCIE_CLK_OUT_P	B30	A30	
PCIE_CLK_OUT_N	B31	A31	
GND	B32	A32	GND



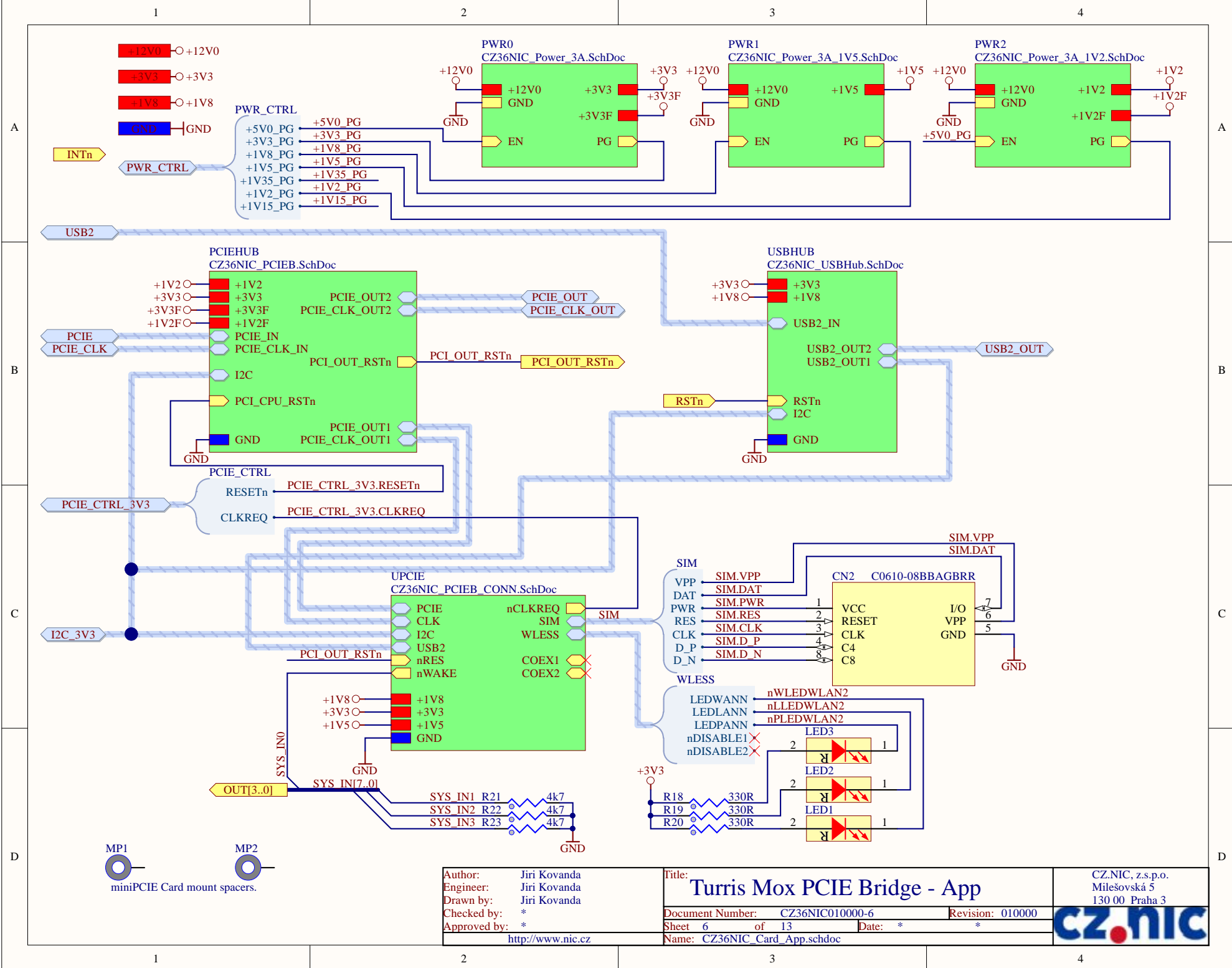
Author: Zbyněk Kos & Tomáš Rykl
 Engineer: Zbyněk Kos
 Drawn by: Zbyněk Kos & Tomáš Rykl
 Checked by: Tomáš Rykl
 Approved by: *
<http://www.nic.cz>

Title: **Turris Mox PCIE Bridge - Out CN**
 Document Number: CZ36NIC010000-5
 Sheet 5 of 13
 Name: CZ36NIC_SYS_OUT_CN.SchDoc

Revision: 010000

Date: * *

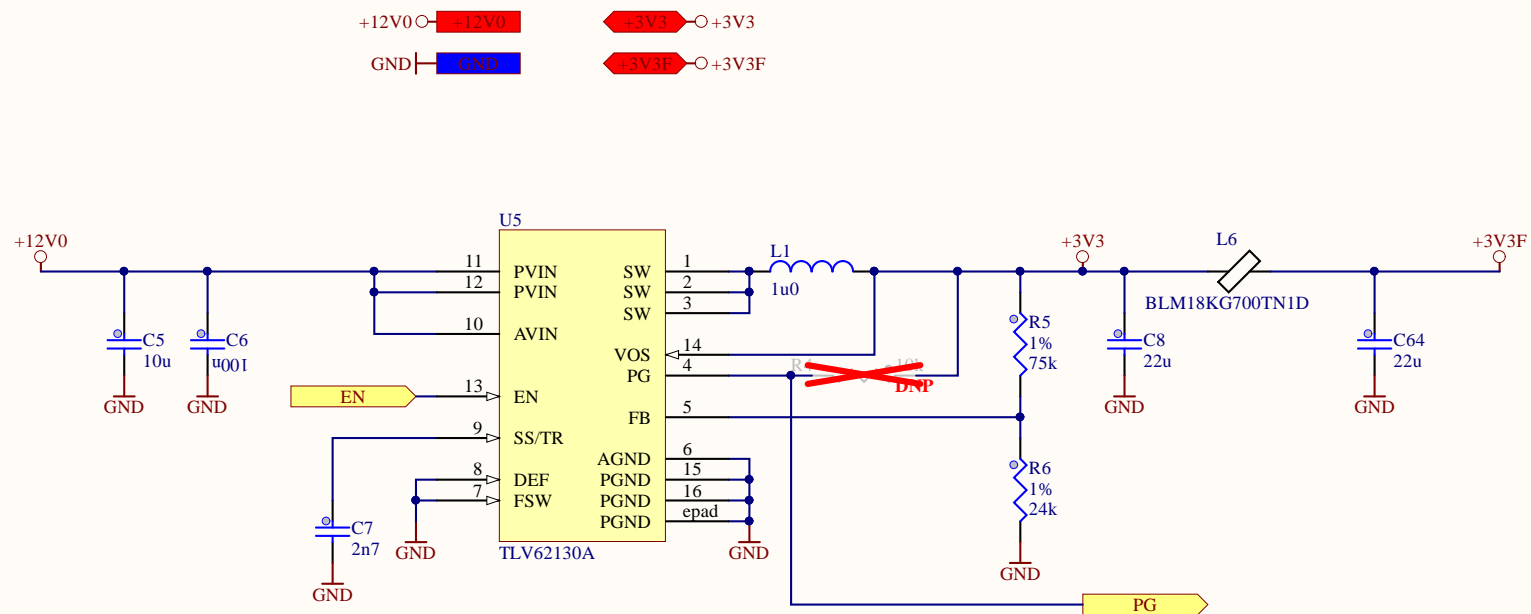
CZ.NIC, z.s.p.o.
 Milešovská 5
 130 00 Praha 3



Author: Jiri Kovanda
 Engineer: Jiri Kovanda
 Drawn by: Jiri Kovanda
 Checked by: *
 Approved by: *
<http://www.nic.cz>

Title: **Turris Mox PCIE Bridge - App**
 Document Number: CZ36NIC010000-6
 Sheet 6 of 13
 Name: CZ36NIC_Card_App.schdoc
 Revision: 010000
 Date: * *

CZ.NIC, z.s.p.o.
 Milešovská 5
 130 00 Praha 3

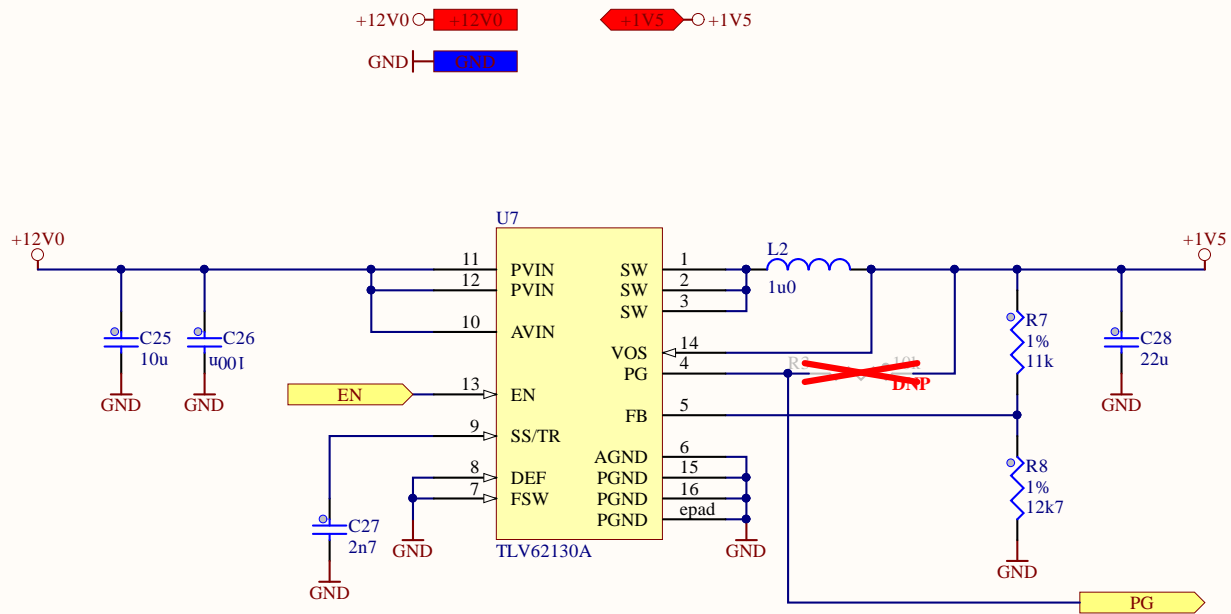


Author: Zbyněk Kos & Tomáš Rykl
 Engineer: Zbyněk Kos
 Drawn by: Zbyněk Kos & Tomáš Rykl
 Checked by: Tomáš Rykl
 Approved by: *
<http://www.nic.cz>

Title: **Turris Mox PCIE Bridge - Power 3A**
 Document Number: CZ36NIC010000-7
 Sheet 7 of 13
 Name: CZ36NIC_Power_3A.SchDoc

CZ.NIC, z.s.p.o.
 Milešovská 5
 130 00 Praha 3

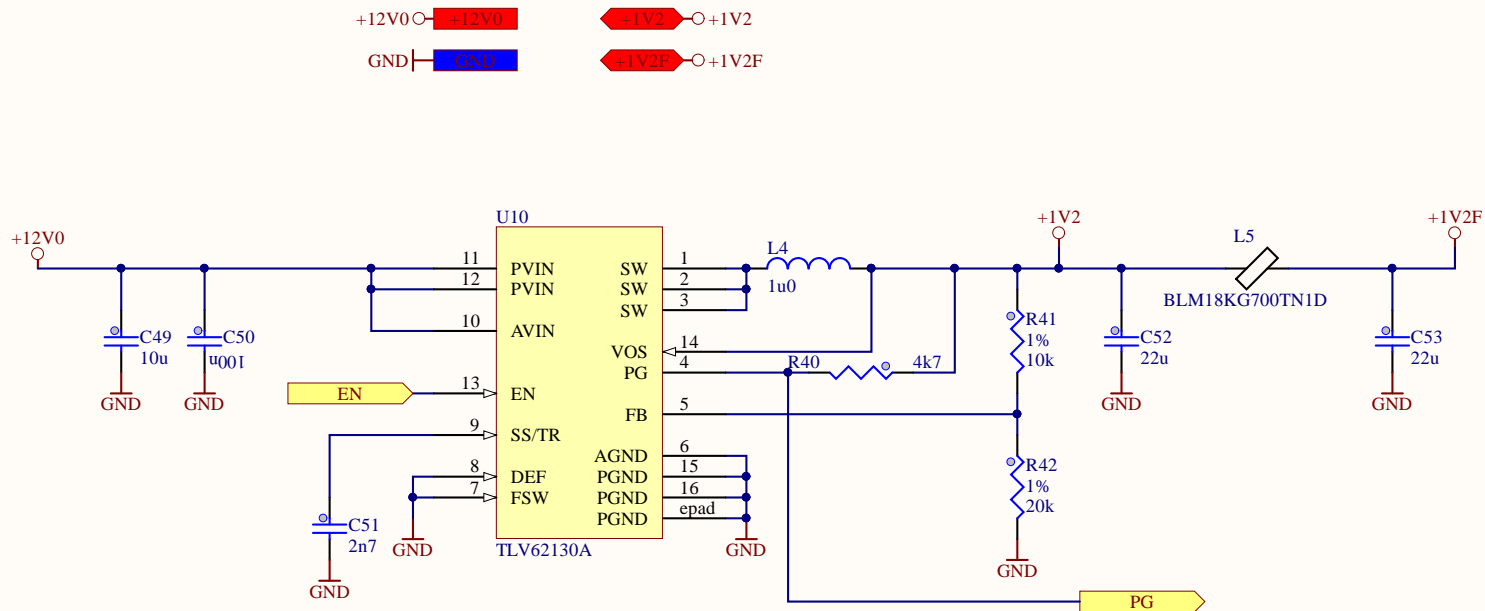




Author: Zbyněk Kos & Tomáš Rykl
 Engineer: Zbyněk Kos
 Drawn by: Zbyněk Kos & Tomáš Rykl
 Checked by: Tomáš Rykl
 Approved by: *
<http://www.nic.cz>

Title: **Turris Mox PCIE Bridge - Power 3A**
 Document Number: CZ36NIC010000-8
 Sheet 8 of 13
 Name: CZ36NIC_Power_3A_1V5.SchDoc

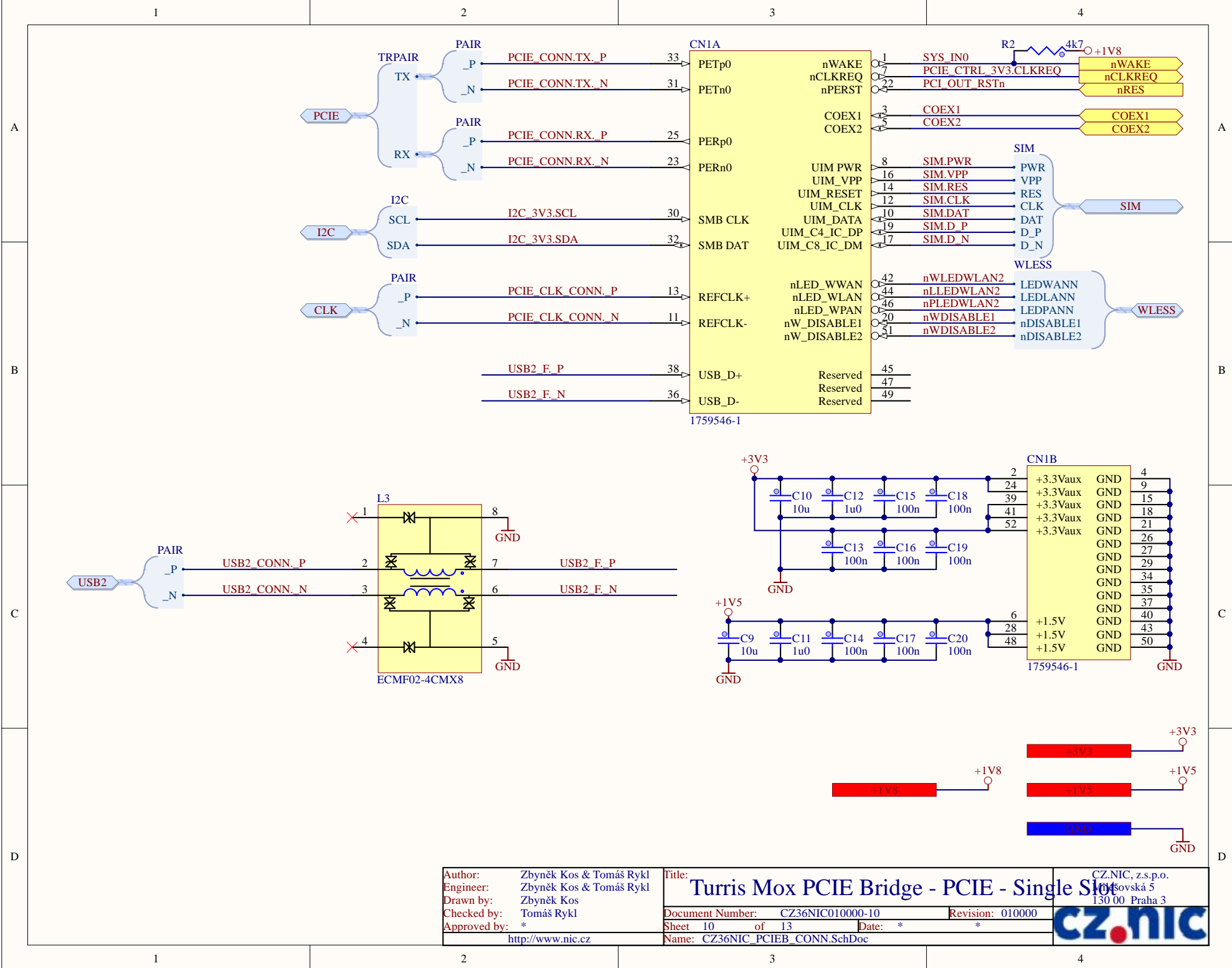
CZ.NIC, z.s.p.o.
 Milešovská 5
 130 00 Praha 3



Author: Jiri Kovanda
 Engineer: Jiri Kovanda
 Drawn by: Jiri Kovanda
 Checked by: *
 Approved by: *
<http://www.nic.cz>

Title: **Turris Mox PCIE Bridge - Power 3A**
 Document Number: CZ36NIC010000-9
 Sheet 9 of 13
 Name: CZ36NIC_Power_3A_1V2.SchDoc

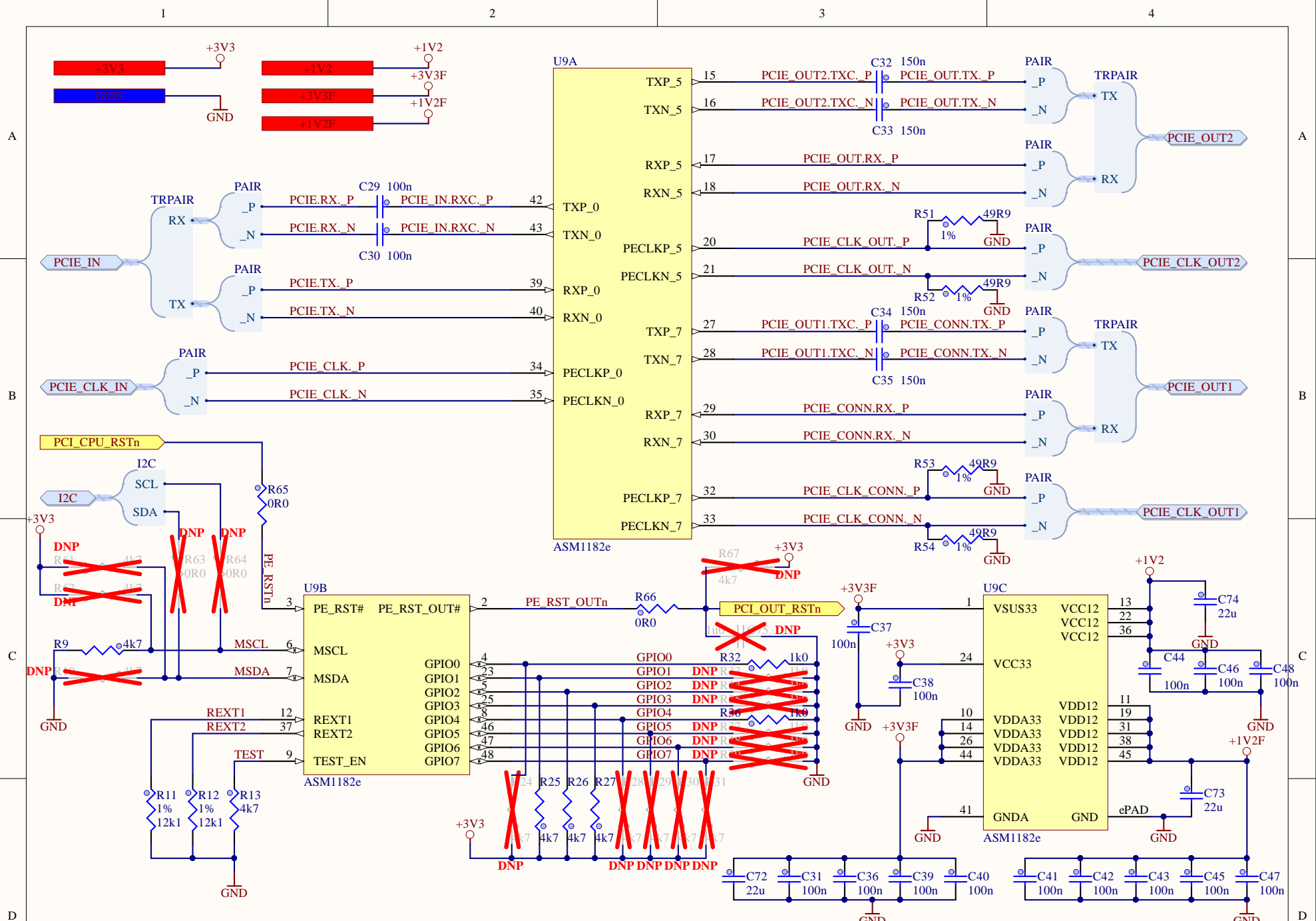
CZ.NIC, z.s.p.o.
 Milešovská 5
 130 00 Praha 3



Author: Zbyněk Kos & Tomáš Rykl
 Engineer: Zbyněk Kos & Tomáš Rykl
 Drawn by: Zbyněk Kos
 Checked by: Tomáš Rykl
 Approved by: *
<http://www.nic.cz>

Title: **Turris Mox PCIE Bridge - PCIE - Single Slot**
 Document Number: CZ36NIC010000-10 Revision: 010000
 Sheet 10 of 13 Date: * *
 Name: CZ36NIC_PCIEB_CONN.SchDoc

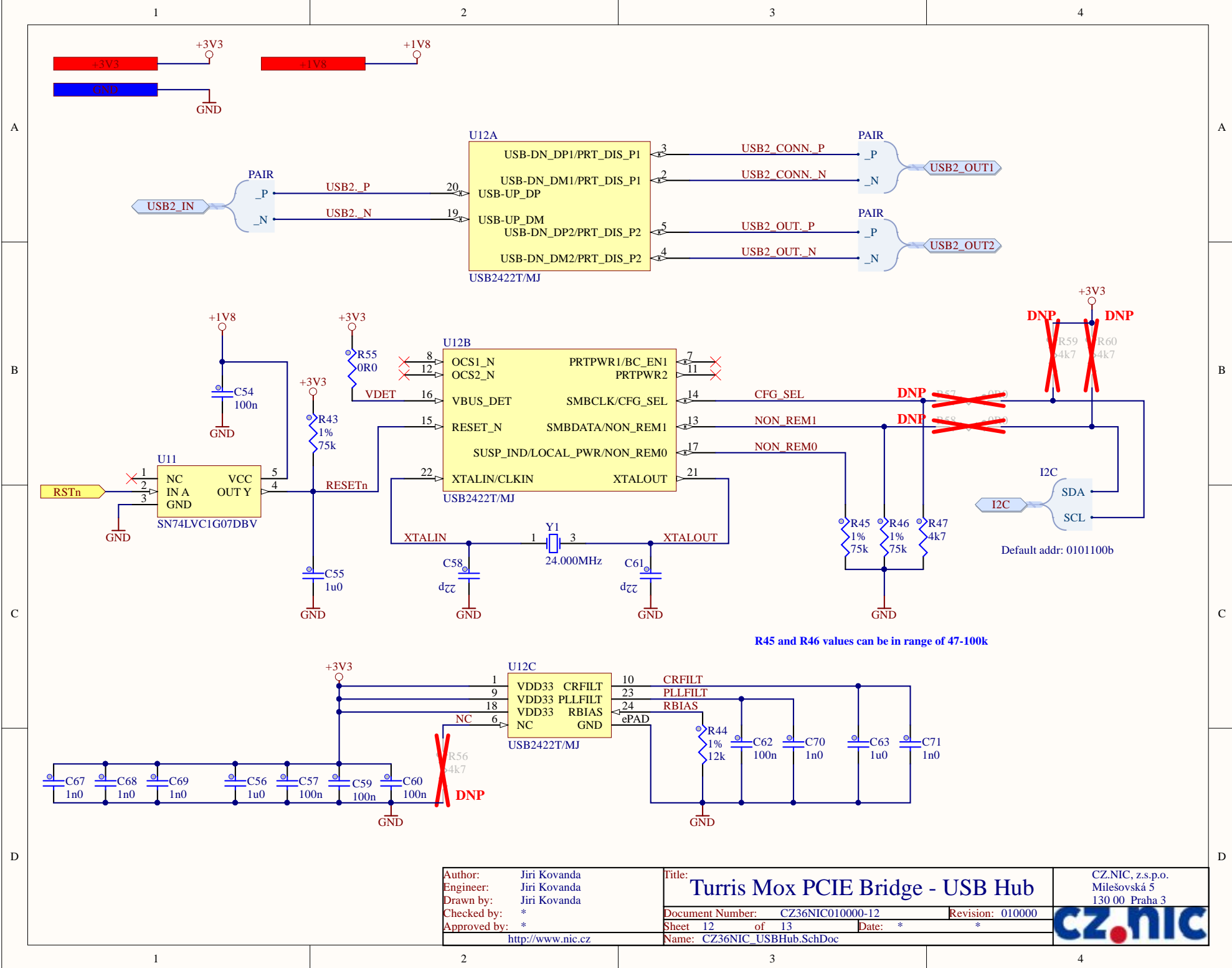
CZ.NIC, z.s.p.o.
 Lázeňská 5
 130 00 Praha 3



Author: Jiri Kovanda
 Engineer: Jiri Kovanda
 Drawn by: Jiri Kovanda
 Checked by: *
 Approved by: *
<http://www.nic.cz>

Title: **Turris Mox PCIE Bridge**
 Document Number: CZ36NIC010000-11
 Sheet 11 of 13
 Name: CZ36NIC_PCIEB.SchDoc
 Revision: 010000
 Date: * *

CZ.NIC, z.s.p.o.
 Milešovská 5
 130 00 Praha 3

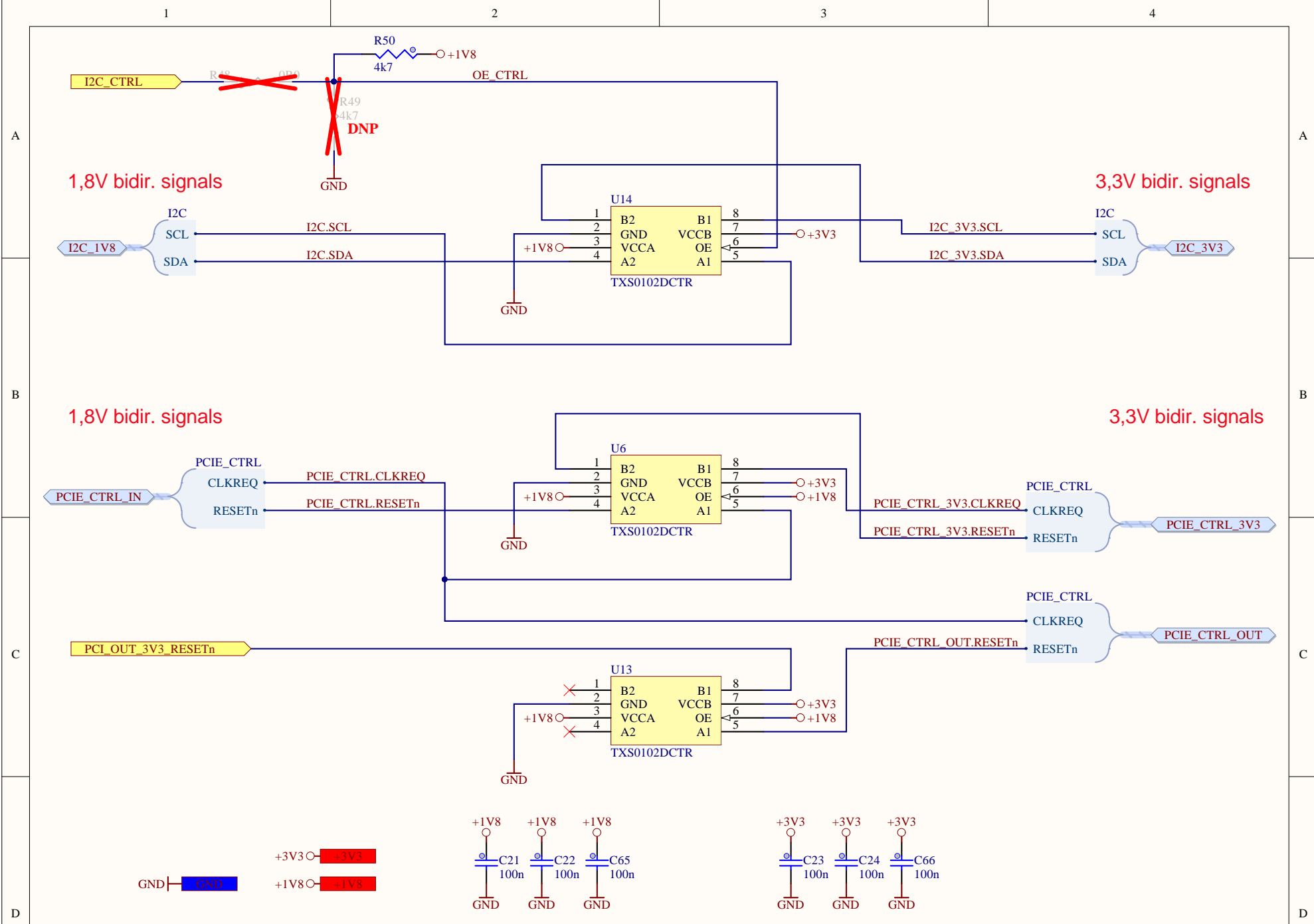



Author: Jiri Kovanda
 Engineer: Jiri Kovanda
 Drawn by: Jiri Kovanda
 Checked by: *
 Approved by: *
<http://www.nic.cz>

Title: **Turris Mox PCIE Bridge - USB Hub**
 Document Number: CZ36NIC010000-12
 Sheet 12 of 13
 Name: CZ36NIC_USBHub.SchDoc

CZ.NIC, z.s.p.o.
 Milešovská 5
 130 00 Praha 3

R45 and R46 values can be in range of 47-100k



Author:	Zbyněk Kos & Tomáš Rykl	Title:	Turris Mox PCIe Bridge - Level Shifters	
Engineer:	Zbyněk Kos	Document Number:	CZ36NIC010000-13	Revision: 010000
Drawn by:	Zbyněk Kos & Tomáš Rykl	Sheet	13	of 13
Checked by:	Tomáš Rykl	Date:	*	*
Approved by:	*	Name:	CZ36NIC_LEVEL_SH.schdoc	
http://www.nic.cz				

CZ.NIC, z.s.p.o.
Milešovská 5
130 00 Praha 3