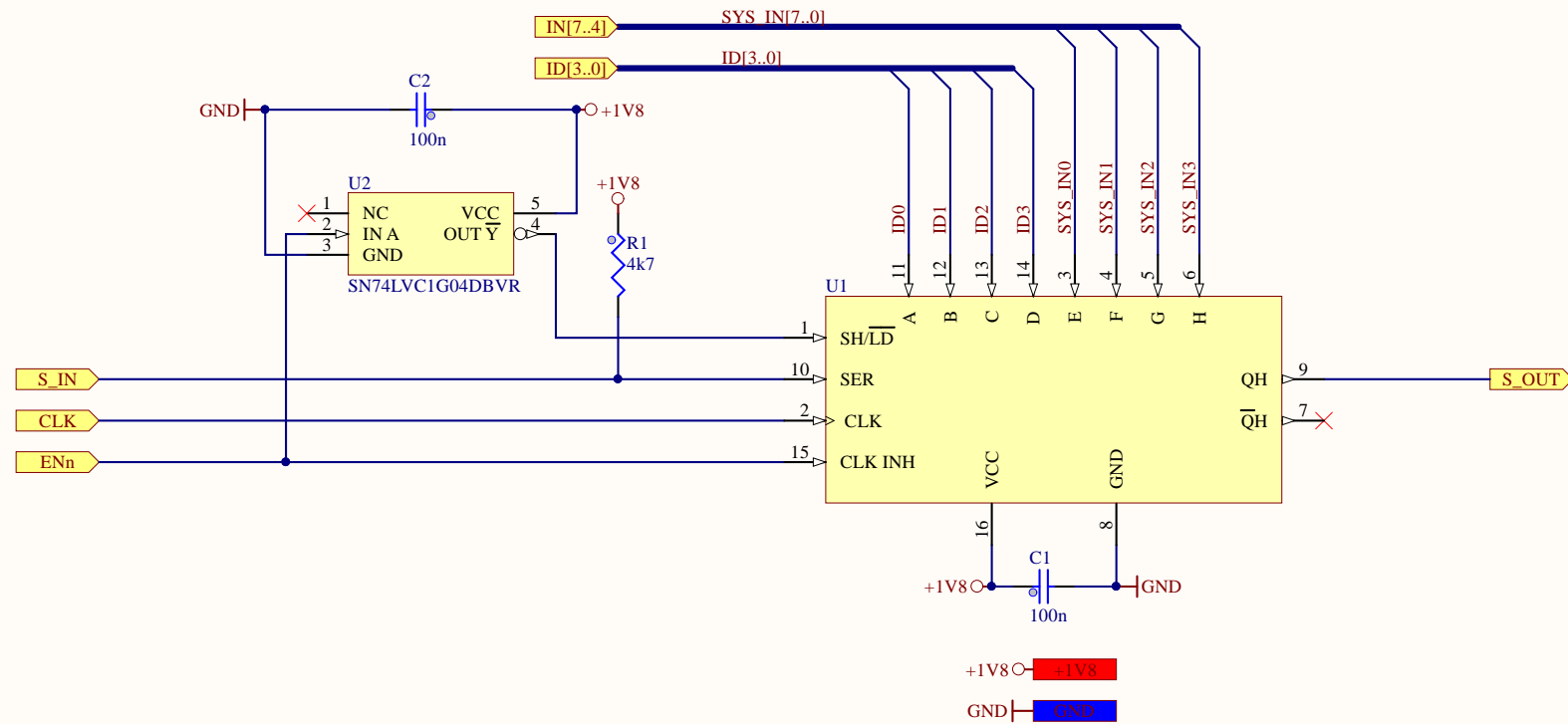


Author: Jiri Kovanda
 Engineer: Jiri Kovanda
 Drawn by: Jiri Kovanda
 Checked by: **
 Approved by: **
<http://www.nic.cz>

Title: **Turris Mox USB - Top**
 Document Number: CZ35NIC010000-1
 Sheet 1 of 16
 Name: CZ35NIC_Card.schdoc

CZ.NIC, z.s.p.o.
 Milešovská 5
 130 00 Praha 3



Author: Jiri Kovanda
 Engineer: Jiri Kovanda
 Drawn by: Jiri Kovanda
 Checked by: **
 Approved by: **
<http://www.nic.cz>

Title: **Turris Mox USB - ID&In**
 Document Number: CZ35NIC010000-2
 Sheet 2 of 16
 Name: CZ35NIC_SYS_ID&IN.schdoc
 Revision: 010000
 Date: * *

CZ.NIC, z.s.p.o.
 Milešovská 5
 130 00 Praha 3


A

A

B

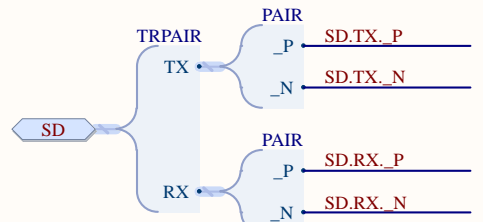
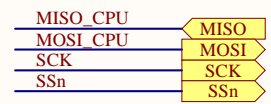
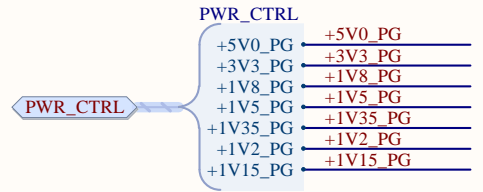
B

C

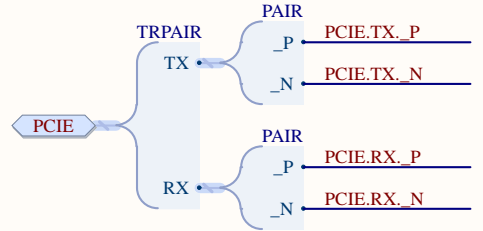
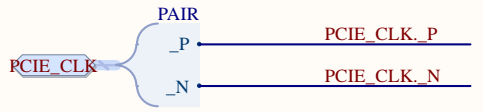
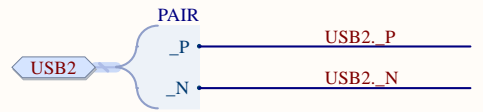
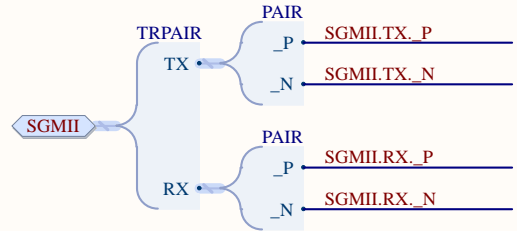
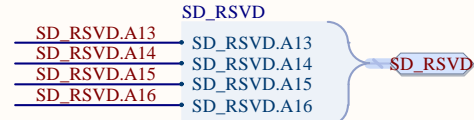
C

D

D



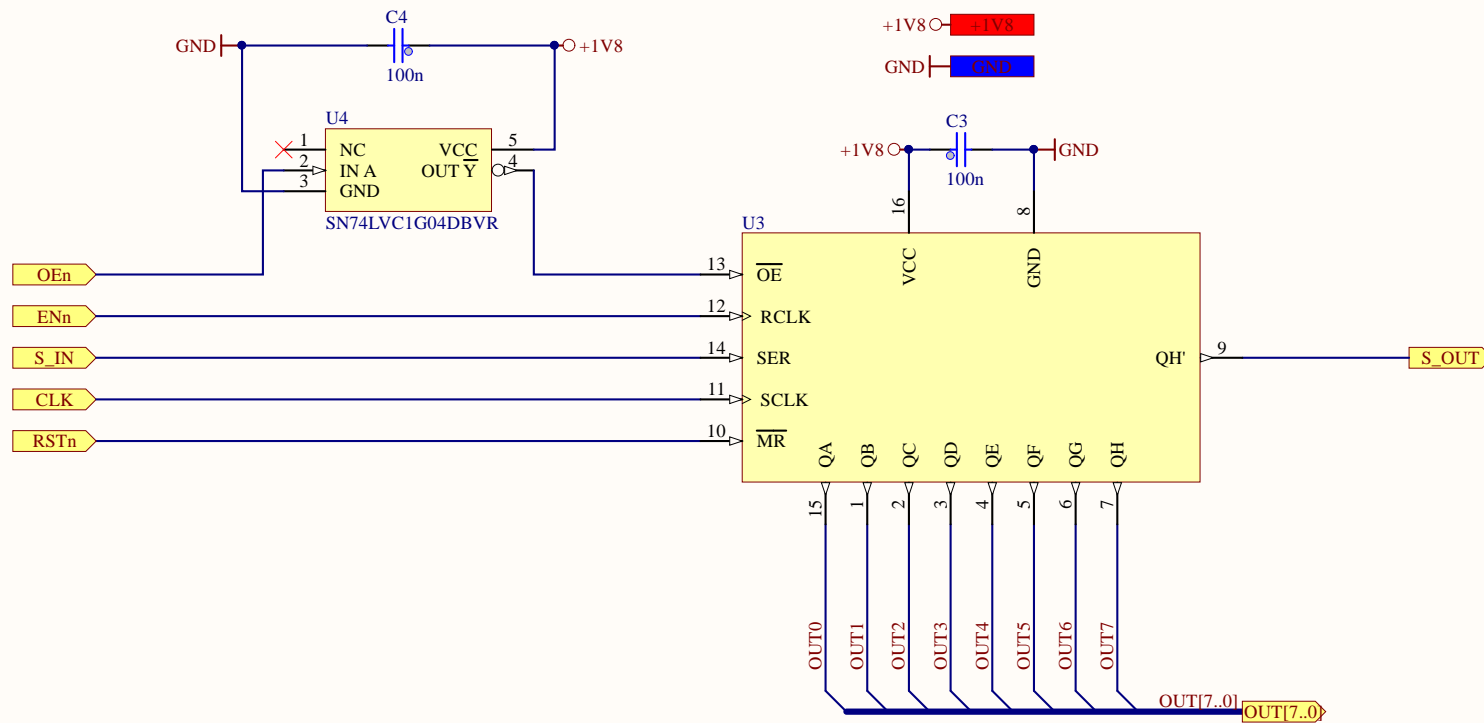
		P1			
GND	B1		A1	GND	
+12V0	B2		A2	+12V0	
+12V0	B3		A3	+12V0	
+5V0_PG	B4		A4	MISO_CPU	
+3V3_PG	B5		A5	MOSI_CPU	
+1V8_PG	B6		A6	SCK	
+1V5_PG	B7		A7	SSn	
+1V35_PG	B8		A8	SYSRSTn	
+1V2_PG	B9		A9	DEVRSTn	
+1V15_PG	B10		A10	INTn	
GND	B11		A11		+1V8
GND	B12		A12	GND	
SD.RX_P	B13		A13	SD_RSVD.A13	
SD.RX_N	B14		A14	SD_RSVD.A14	
SD.TX_P	B15		A15	SD_RSVD.A15	
SD.TX_N	B16		A16	SD_RSVD.A16	
GND	B17		A17	GND	
SGMII.TX_N	B18		A18	SMI.MDC	
SGMII.TX_P	B19		A19	SMI.MDIO	
SGMII.RX_N	B20		A20		
SGMII.RX_P	B21		A21		
GND	B22		A22	GND	
USB2_P	B23		A23	I2C.SCL	
USB2_N	B24		A24	I2C.SDA	
PCIE.RX_N	B25		A25		
PCIE.RX_P	B26		A26		
GND	B27		A27	GND	
PCIE.TX_N	B28		A28	1V8_IN1	
PCIE.TX_P	B29		A29	1V8_IN2	
PCIE_CLK_P	B30		A30		
PCIE_CLK_N	B31		A31		
GND	B32		A32	GND	



Author: Jiri Kovanda
 Engineer: Jiri Kovanda
 Drawn by: Jiri Kovanda
 Checked by: **
 Approved by: **
<http://www.nic.cz>

Title: **Turris Mox USB - In CN**
 Document Number: CZ35NIC010000-3
 Sheet 3 of 16
 Name: CZ35NIC_SYS_IN_CN.SchDoc

CZ.NIC, z.s.p.o.
 Milešovská 5
 130 00 Praha 3



Author: Jiri Kovanda
 Engineer: Jiri Kovanda
 Drawn by: Jiri Kovanda
 Checked by: **
 Approved by: **
<http://www.nic.cz>

Title: **Turris Mox USB - Out**

Document Number: CZ35NIC010000-4 Revision: 010000
 Sheet 4 of 16 Date: * *
 Name: CZ35NIC_SYS_OUT.schdoc

CZ.NIC, z.s.p.o.
 Milešovská 5
 130 00 Praha 3



A

A

B

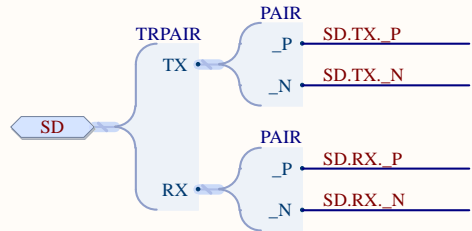
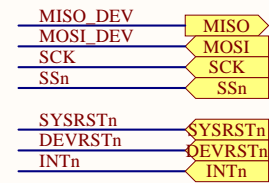
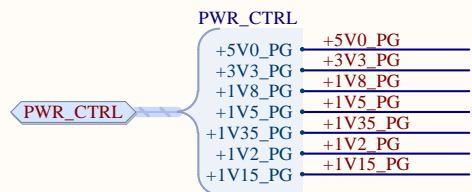
B

C

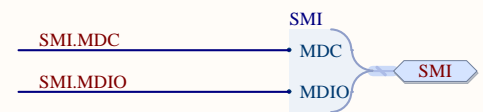
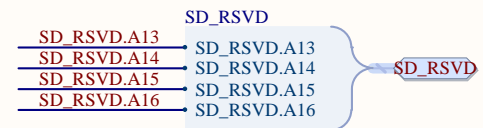
C

D

D



P2		P2	
GND	B1	A1	GND
+12V0	B2	A2	+12V0
+12V0	B3	A3	+12V0
+5V0_PG	B4	A4	MISO_DEV
+3V3_PG	B5	A5	MOSI_DEV
+1V8_PG	B6	A6	SCK
+1V5_PG	B7	A7	SSn
+1V35_PG	B8	A8	SYSRSTn
+1V2_PG	B9	A9	DEVRSTn
+1V15_PG	B10	A10	INTn
GND	B11	A11	
GND	B12	A12	GND
SD.RX_P	B13	A13	SD_RSVD.A13
SD.RX_N	B14	A14	SD_RSVD.A14
SD.TX_P	B15	A15	SD_RSVD.A15
SD.TX_N	B16	A16	SD_RSVD.A16
GND	B17	A17	GND
SGMII.TX_N	B18	A18	SMI.MDC
SGMII.TX_P	B19	A19	SMI.MDIO
SGMII.RX_N	B20	A20	
SGMII.RX_P	B21	A21	
GND	B22	A22	GND
USB2_P	B23	A23	I2C.SCL
USB2_N	B24	A24	I2C.SDA
	B25	A25	
	B26	A26	
GND	B27	A27	GND
	B28	A28	
	B29	A29	
	B30	A30	
	B31	A31	
GND	B32	A32	GND

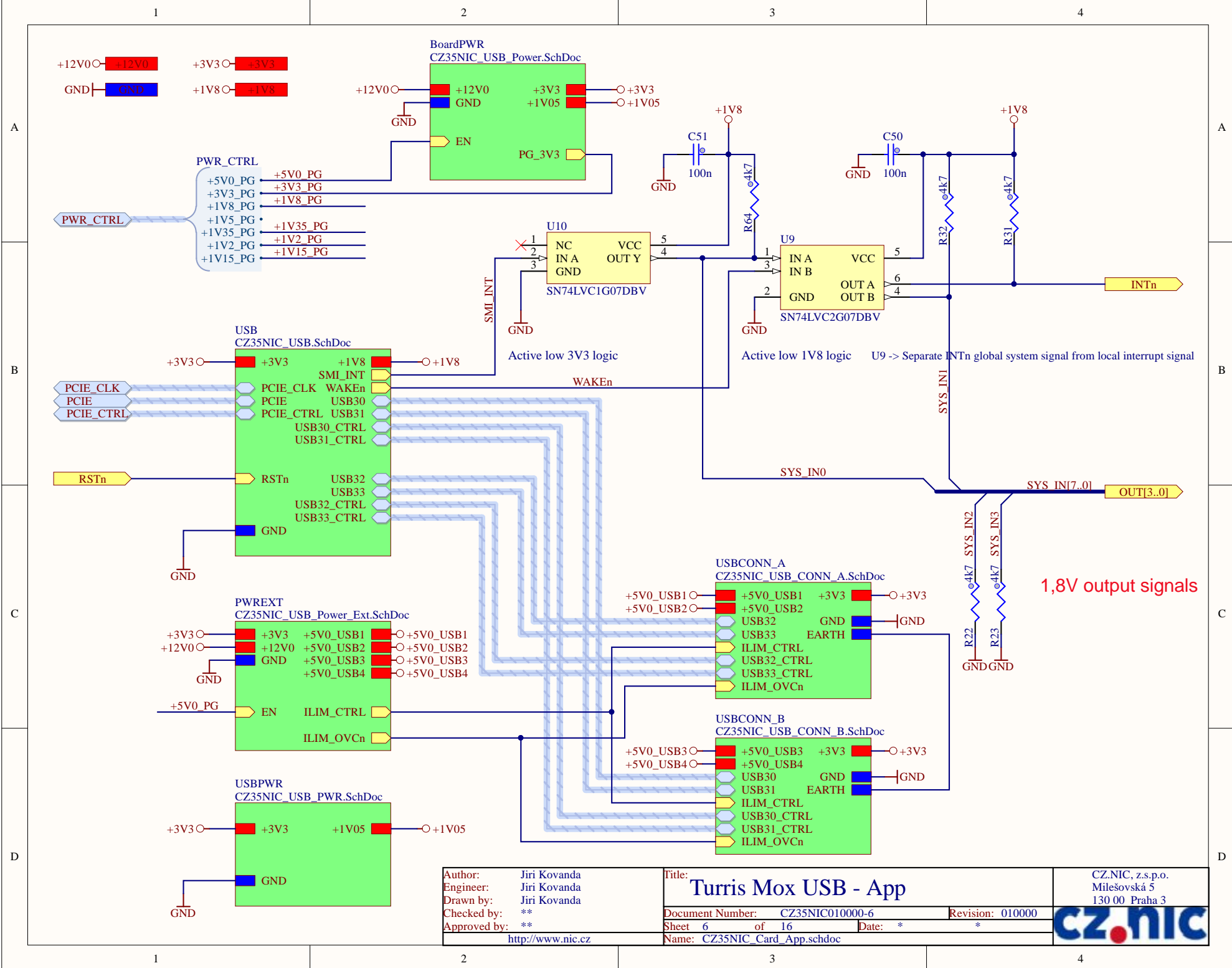


6-1734857-5

Author: Jiri Kovanda
 Engineer: Jiri Kovanda
 Drawn by: Jiri Kovanda
 Checked by: **
 Approved by: **
<http://www.nic.cz>

Title: **Turriss Mox USB - Out CN**
 Document Number: CZ35NIC010000-5 Revision: 010000
 Sheet 5 of 16 Date: * *
 Name: CZ35NIC_SYS_OUT_CN.SchDoc

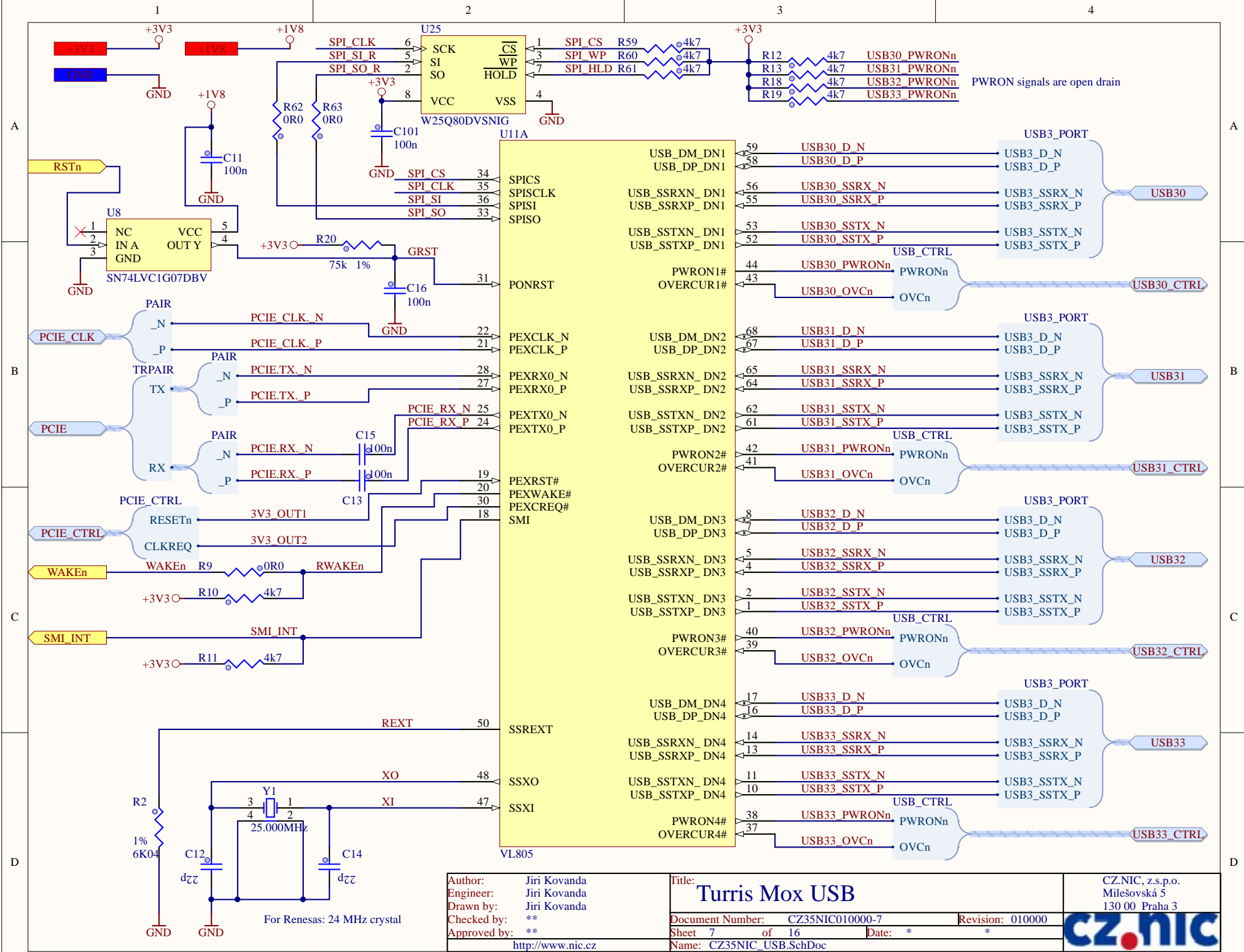
CZ.NIC, z.s.p.o.
 Milešovská 5
 130 00 Praha 3



Author: Jiri Kovanda
 Engineer: Jiri Kovanda
 Drawn by: Jiri Kovanda
 Checked by: **
 Approved by: **
<http://www.nic.cz>

Title: **Turris Mox USB - App**
 Document Number: CZ35NIC010000-6
 Sheet 6 of 16
 Name: CZ35NIC_Card_App.schdoc
 Revision: 010000
 Date: * * *

CZ.NIC, z.s.p.o.
 Milešovská 5
 130 00 Praha 3

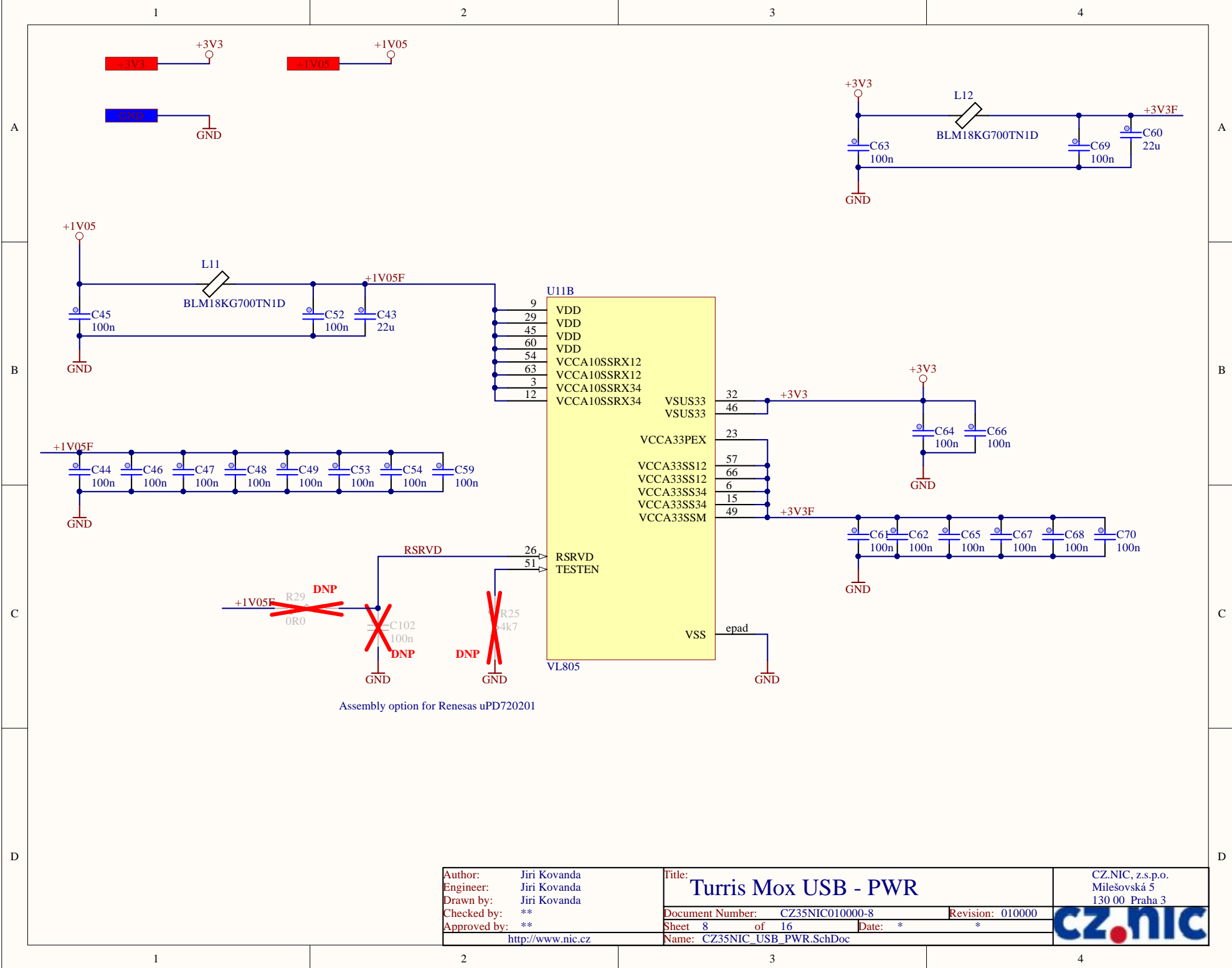


Author: Jiri Kovanda
 Engineer: Jiri Kovanda
 Drawn by: Jiri Kovanda
 Checked by: **
 Approved by: **
<http://www.nic.cz>

Title: **Turris Mox USB**
 Document Number: CZ35NIC010000-7
 Sheet 7 of 16
 Name: CZ35NIC_USB.SchDoc

CZ.NIC, z.s.p.o.
 Milešovská 5
 130 00 Praha 3

For Renesas: 24 MHz crystal

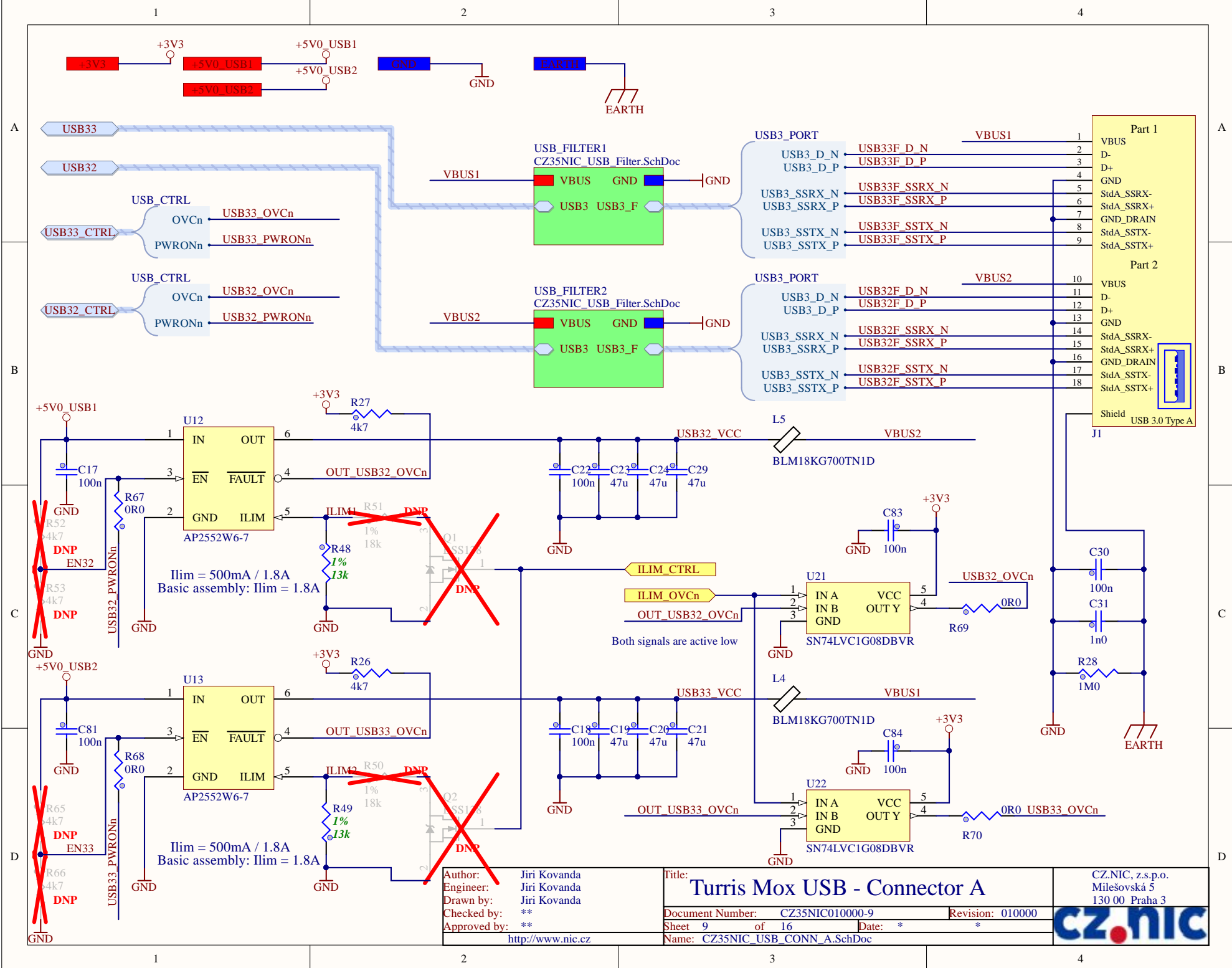


Assembly option for Renesas uPD720201

Author: Jiri Kovanda
 Engineer: Jiri Kovanda
 Drawn by: Jiri Kovanda
 Checked by: **
 Approved by: **
<http://www.nic.cz>

Title: **Turris Mox USB - PWR**
 Document Number: CZ35NIC010000-8
 Sheet 8 of 16
 Name: CZ35NIC_USB_PWR.SchDoc
 Revision: 010000
 Date: * *

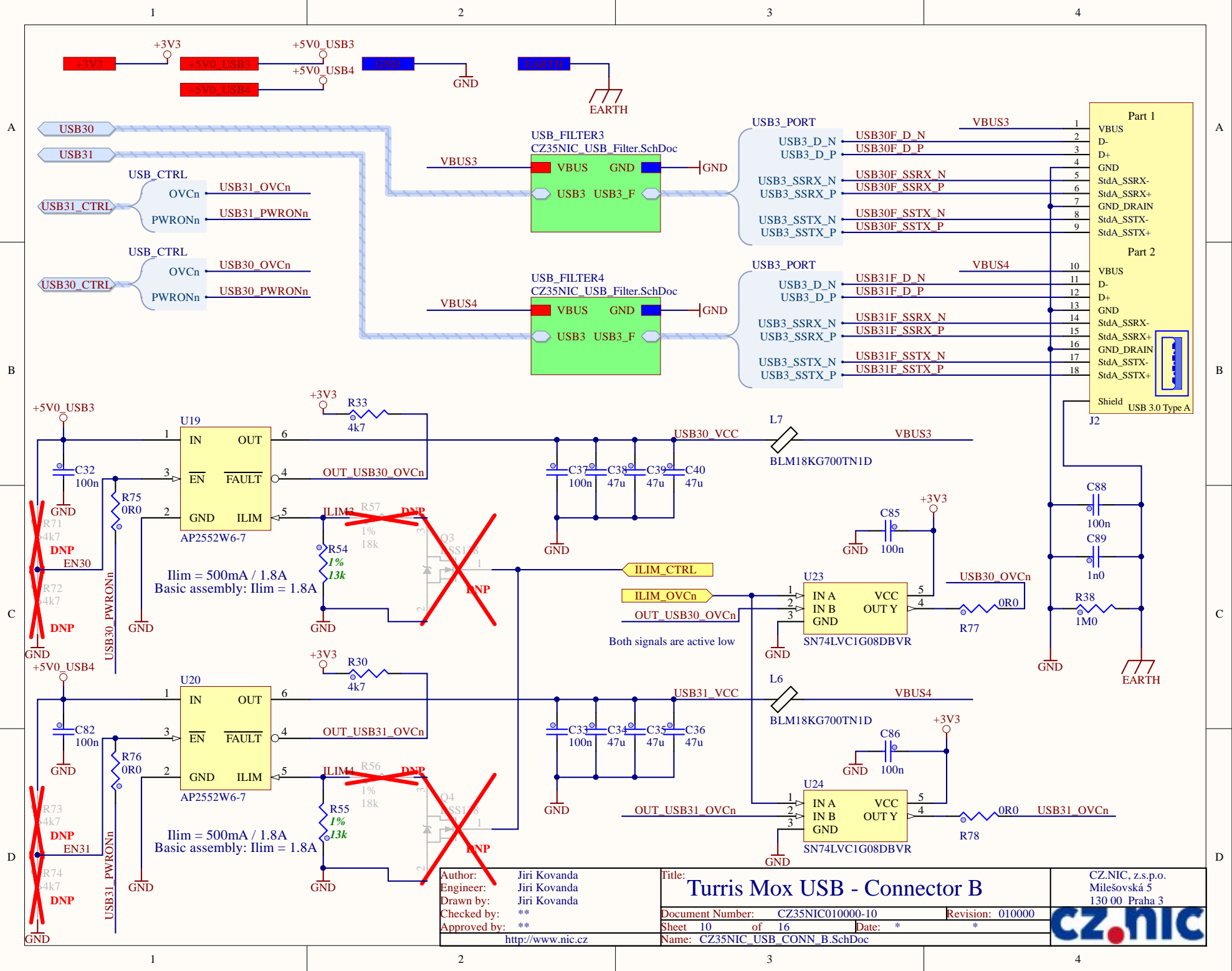
CZ.NIC, z.s.p.o.
 Milešovská 5
 130 00 Praha 3



Author: Jiri Kovanda
 Engineer: Jiri Kovanda
 Drawn by: Jiri Kovanda
 Checked by: **
 Approved by: **
<http://www.nic.cz>

Title: **Turris Mox USB - Connector A**
 Document Number: CZ35NIC010000-9
 Sheet 9 of 16
 Name: CZ35NIC_USB_CONN_A.SchDoc
 Revision: 010000
 Date: * * *

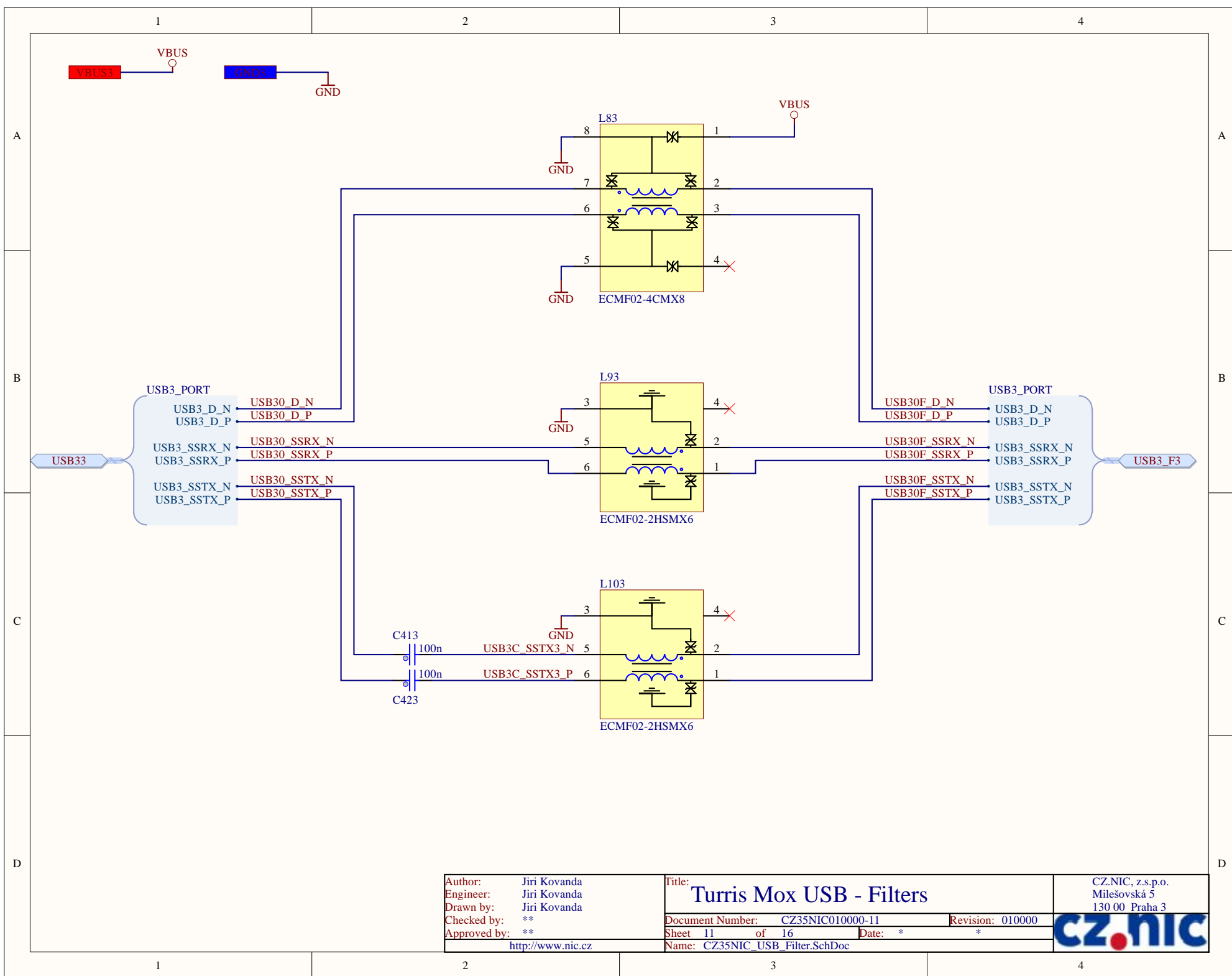
CZ.NIC, z.s.p.o.
 Milešovská 5
 130 00 Praha 3



Author: Jiri Kovanda
 Engineer: Jiri Kovanda
 Drawn by: Jiri Kovanda
 Checked by: **
 Approved by: **
<http://www.nic.cz>

Title: **Turris Mox USB - Connector B**
 Document Number: CZ35NIC010000-10
 Sheet 10 of 16
 Name: CZ35NIC_USB_CONN_B.SchDoc
 Revision: 010000
 Date: * * *

CZ.NIC, z.s.p.o.
 Milešovská 5
 130 00 Praha 3



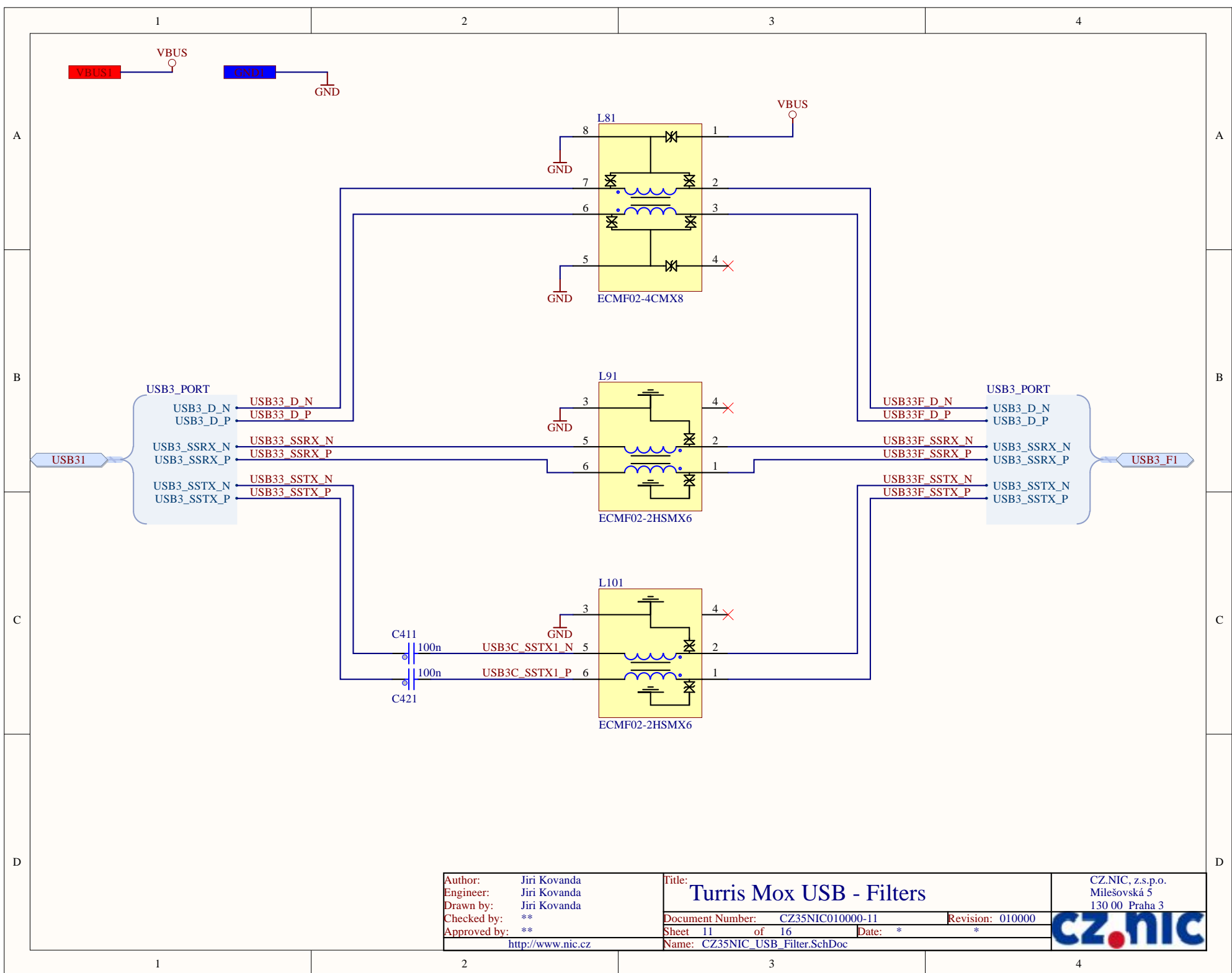
Author: Jiri Kovanda
 Engineer: Jiri Kovanda
 Drawn by: Jiri Kovanda
 Checked by: **
 Approved by: **
<http://www.nic.cz>

Title: **Turris Mox USB - Filters**
 Document Number: CZ35NIC010000-11
 Sheet 11 of 16
 Name: CZ35NIC_USB_Filter.SchDoc

Revision: 010000
 Date: * *

CZ.NIC, z.s.p.o.
 Milešovská 5
 130 00 Praha 3

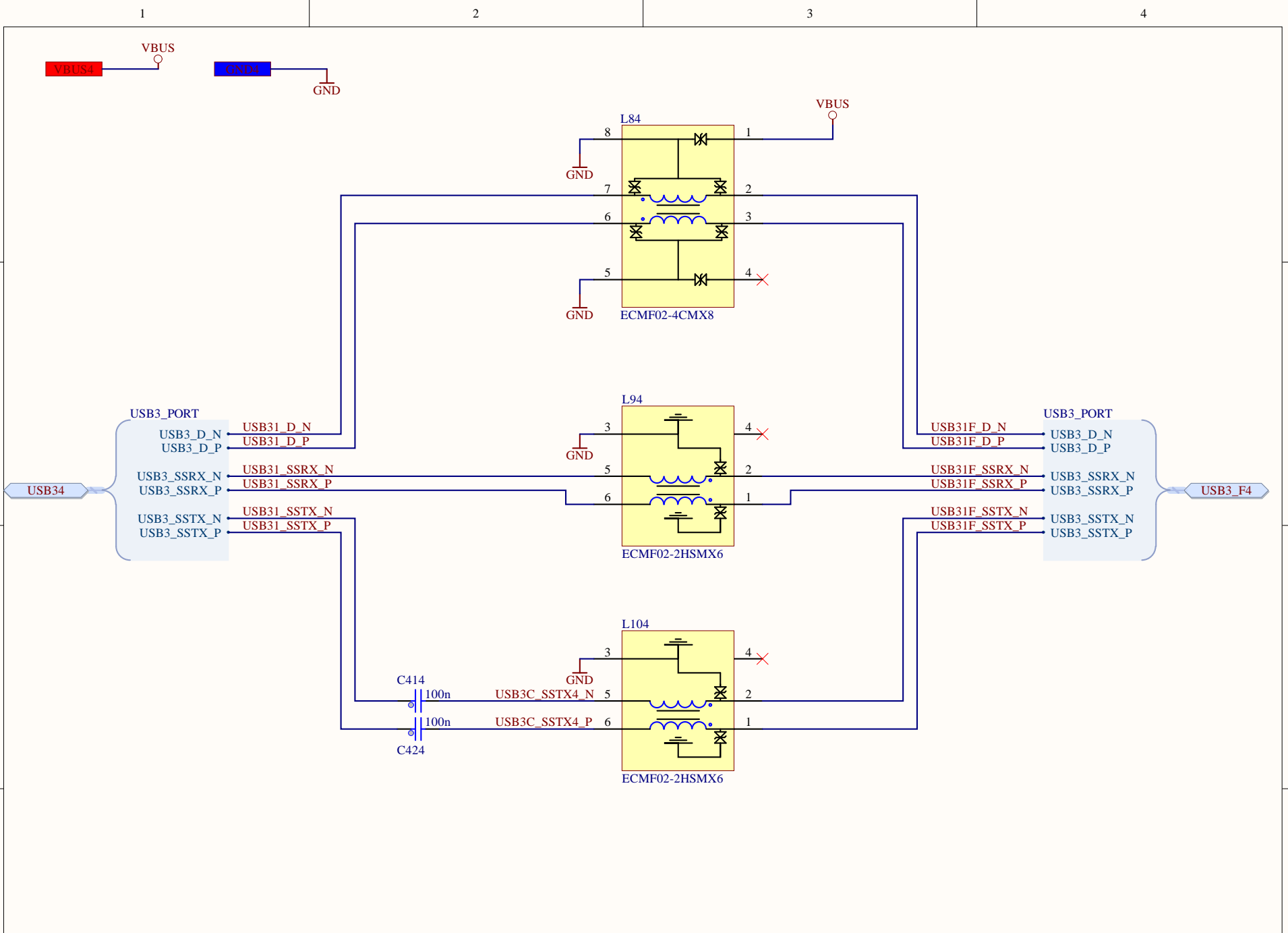





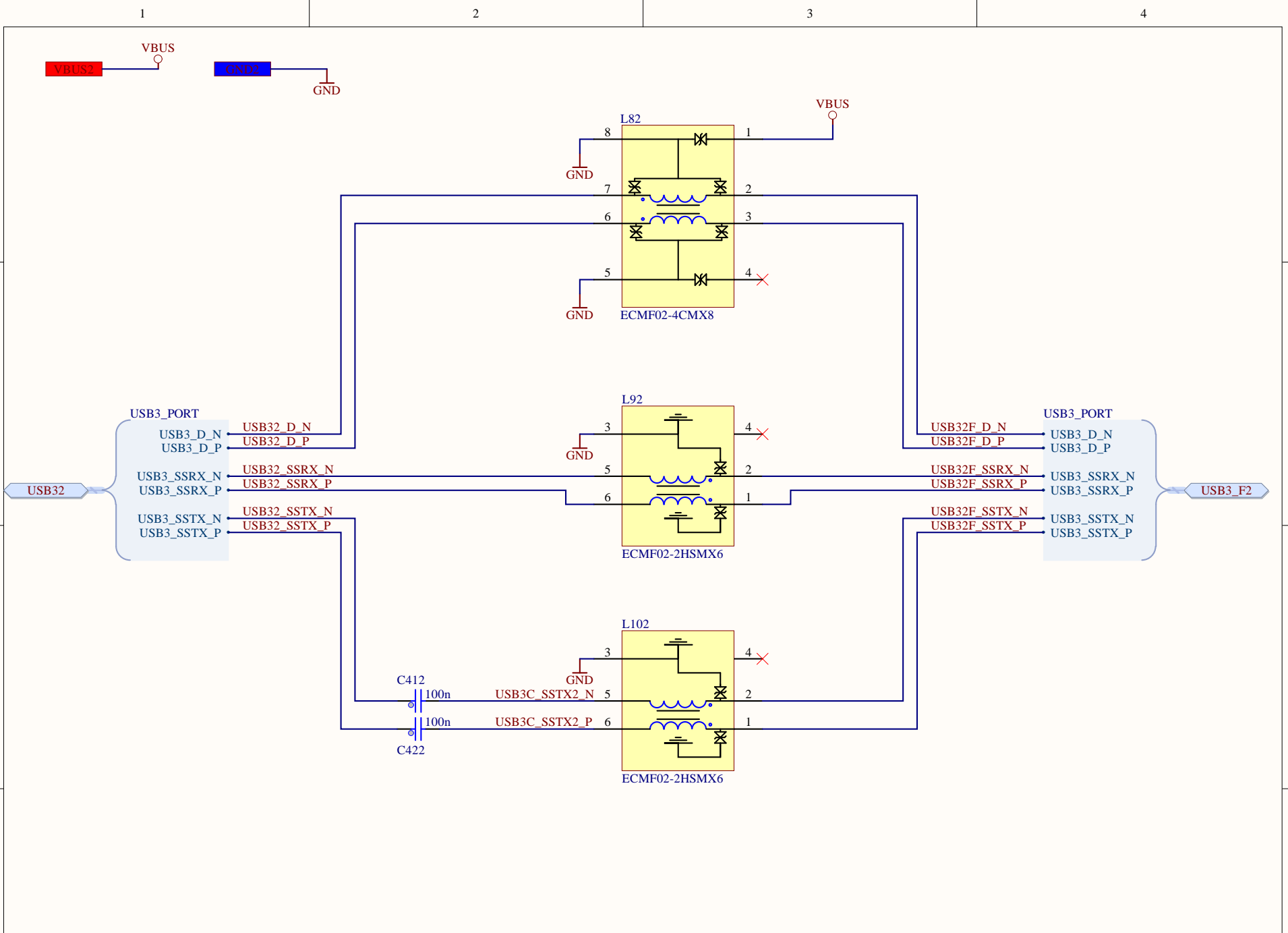
Author: Jiri Kovanda
 Engineer: Jiri Kovanda
 Drawn by: Jiri Kovanda
 Checked by: **
 Approved by: **
<http://www.nic.cz>

Title: **Turris Mox USB - Filters**
 Document Number: CZ35NIC010000-11 Revision: 010000
 Sheet 11 of 16 Date: * *
 Name: CZ35NIC_USB_Filter.SchDoc

CZ.NIC, z.s.p.o.
 Milešovská 5
 130 00 Praha 3

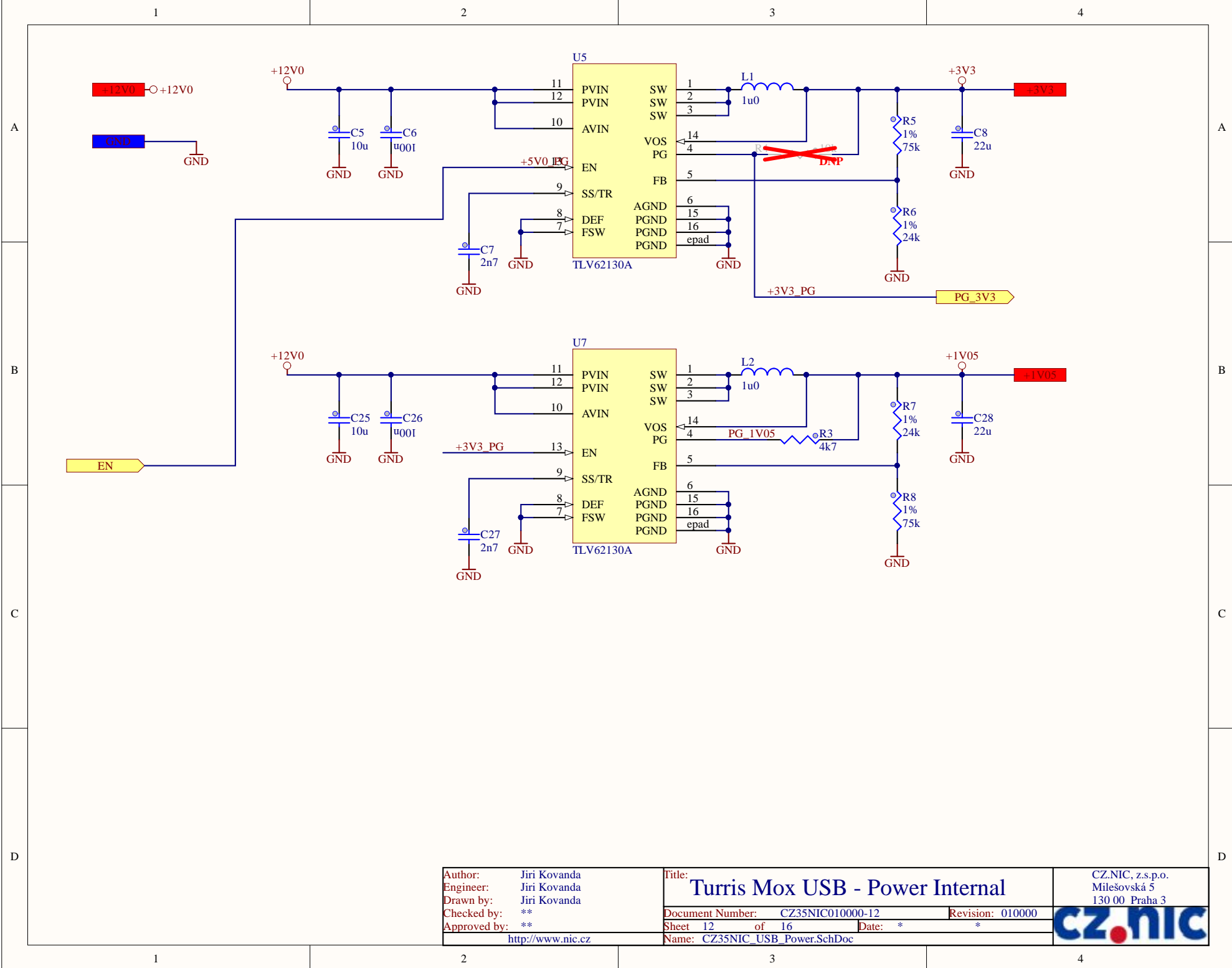



Author: Jiri Kovanda	Title: Turris Mox USB - Filters	CZ.NIC, z.s.p.o. Milešovská 5 130 00 Praha 3 	
Engineer: Jiri Kovanda	Document Number: CZ35NIC010000-11		Revision: 010000
Drawn by: Jiri Kovanda	Sheet 11 of 16		Date: * *
Checked by: **	Name: CZ35NIC_USB_Filter.SchDoc		
Approved by: **	http://www.nic.cz		



Author: Jiri Kovanda	Title: Turris Mox USB - Filters	CZ.NIC, z.s.p.o. Milešovská 5 130 00 Praha 3
Engineer: Jiri Kovanda	Document Number: CZ35NIC010000-11	
Drawn by: Jiri Kovanda	Sheet 11 of 16	Date: * *
Checked by: **	Name: CZ35NIC_USB_Filter.SchDoc	
Approved by: **	http://www.nic.cz	





Author: Jiri Kovanda
 Engineer: Jiri Kovanda
 Drawn by: Jiri Kovanda
 Checked by: **
 Approved by: **
<http://www.nic.cz>

Title: **Turris Mox USB - Power Internal**
 Document Number: CZ35NIC010000-12
 Sheet 12 of 16
 Name: CZ35NIC_USB_Power.SchDoc

CZ.NIC, z.s.p.o.
 Milešovská 5
 130 00 Praha 3


1

2

3

4

A

A

B

B

C

C

D

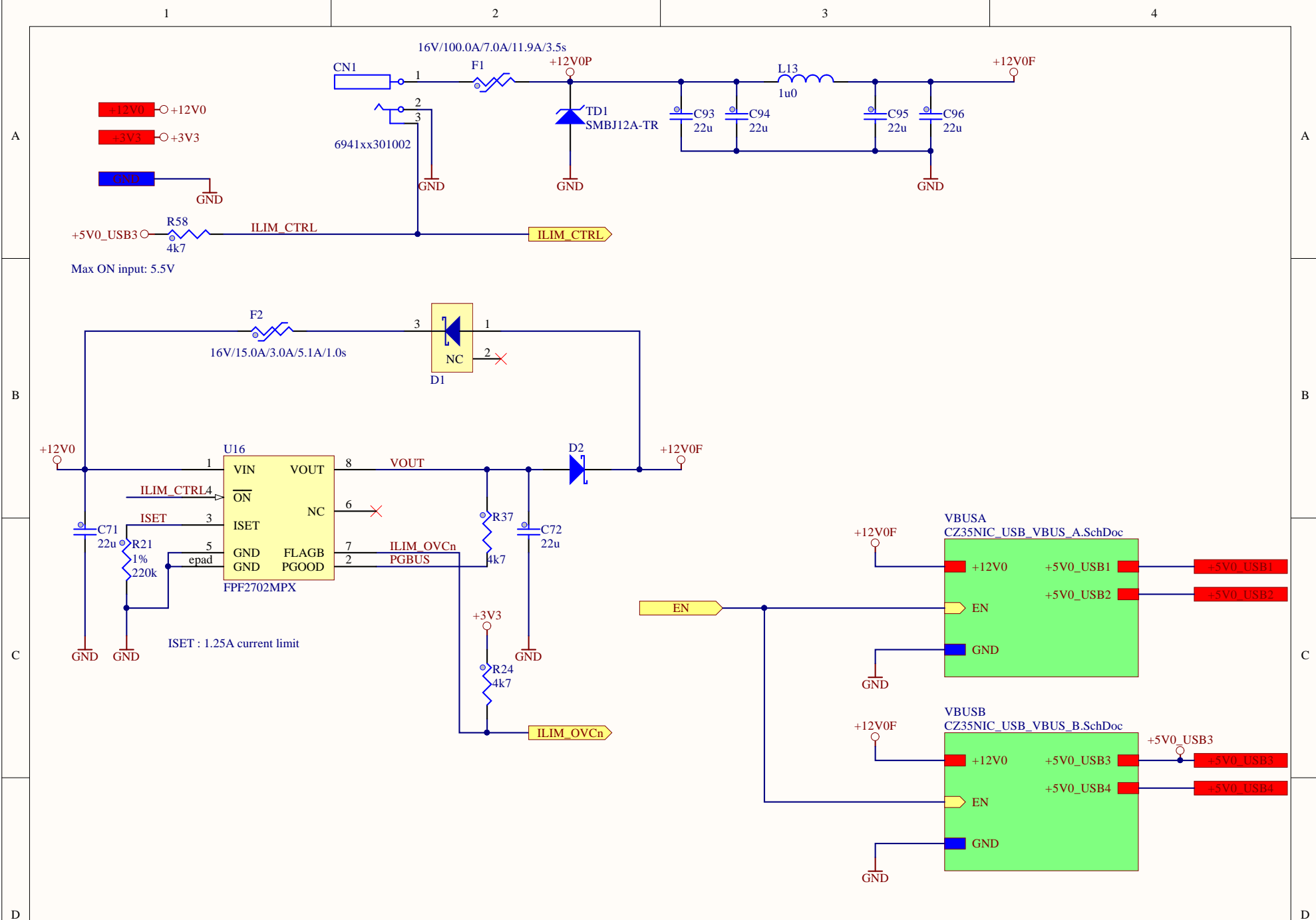
D

1

2

3

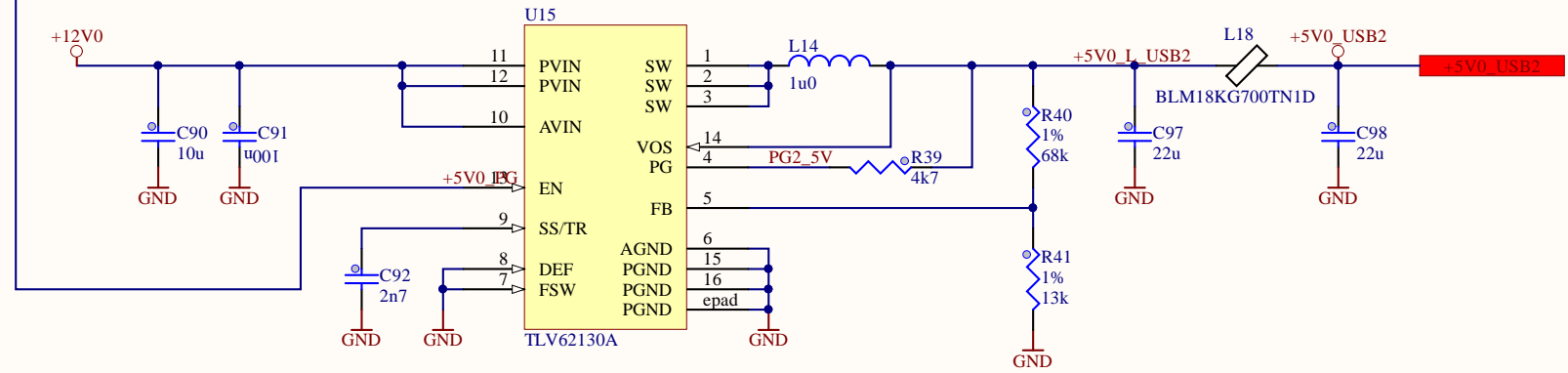
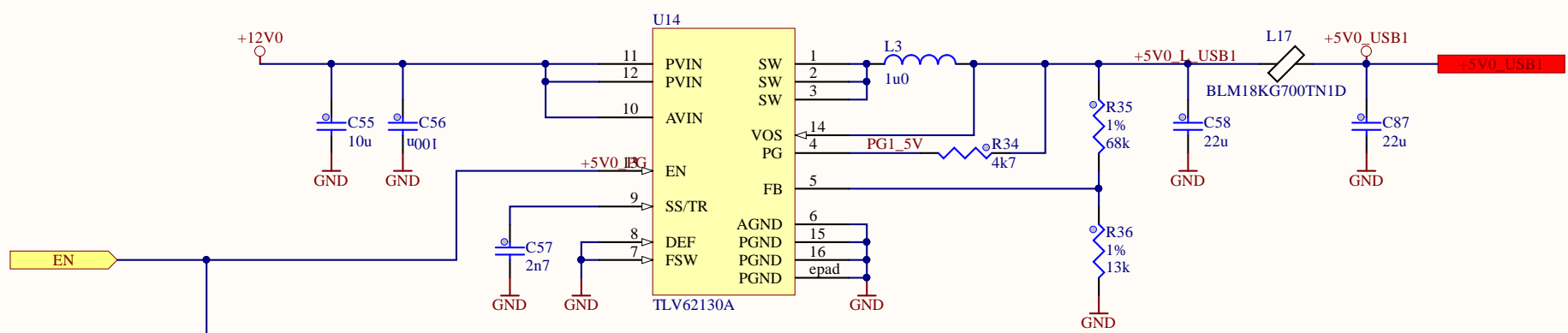
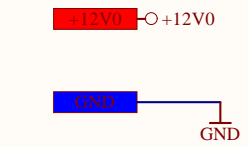
4



Author: Jiri Kovanda
 Engineer: Jiri Kovanda
 Drawn by: Jiri Kovanda
 Checked by: **
 Approved by: **
<http://www.nic.cz>

Title: **Turris Mox USB - Power External**
 Document Number: CZ35NIC010000-13
 Sheet 13 of 16
 Name: CZ35NIC_USB_Power_Ext.SchDoc

CZ.NIC, z.s.p.o.
 Milešovská 5
 130 00 Praha 3

Author: Jiri Kovanda
 Engineer: Jiri Kovanda
 Drawn by: Jiri Kovanda
 Checked by: **
 Approved by: **
<http://www.nic.cz>

Title: **Turris Mox USB - Power**
 Document Number: CZ35NIC010000-14 Revision: 010000
 Sheet 14 of 16 Date: * *
 Name: CZ35NIC_USB_VBUS_A.SchDoc

CZ.NIC, z.s.p.o.
 Milešovská 5
 130 00 Praha 3

A

A

B

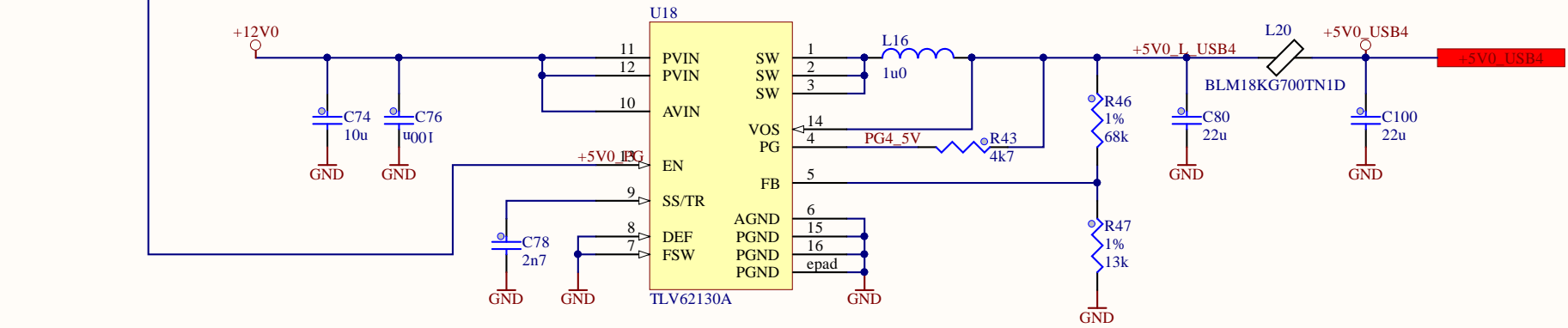
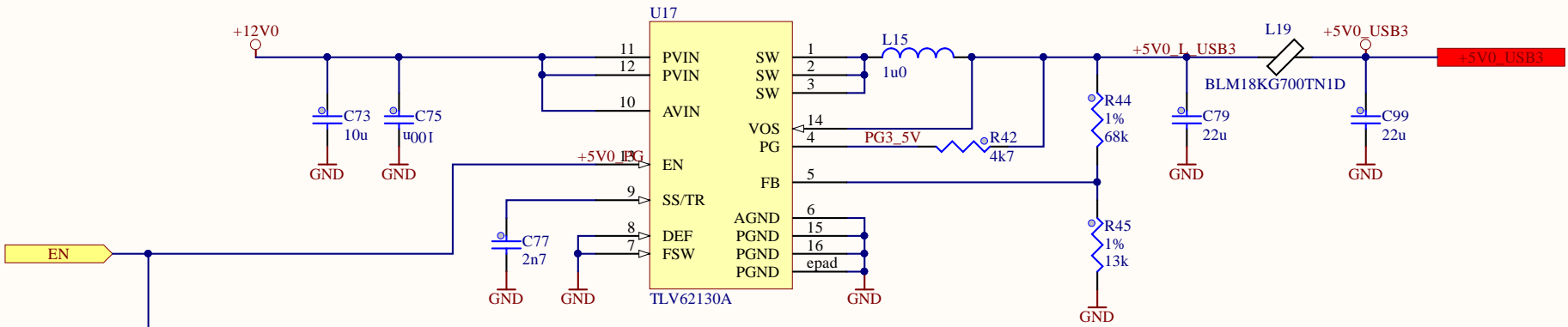
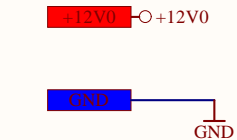
B

C

C

D

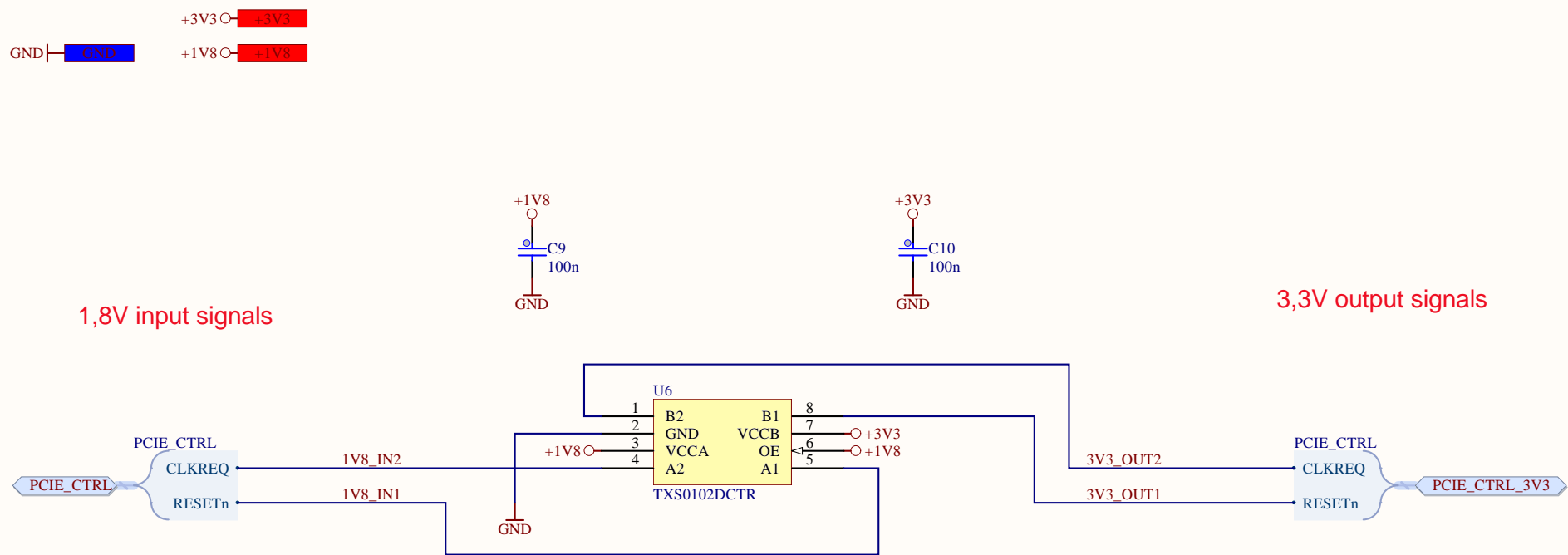
D



Author: Jiri Kovanda
 Engineer: Jiri Kovanda
 Drawn by: Jiri Kovanda
 Checked by: **
 Approved by: **
<http://www.nic.cz>

Title: **Turris Mox USB - Power**
 Document Number: CZ35NIC010000-15
 Sheet 15 of 16
 Name: CZ35NIC_USB_VBUS_B.SchDoc

CZ.NIC, z.s.p.o.
 Milešovská 5
 130 00 Praha 3



Author: Jiri Kovanda	Title: Turris Mox USB - Level Shifter	CZ.NIC, z.s.p.o. Milešovská 5 130 00 Praha 3
Engineer: Jiri Kovanda	Document Number: CZ35NIC010000-16	
Drawn by: Jiri Kovanda	Sheet 16 of 16	Date: * *
Checked by: **	Name: CZ35NIC_LEVEL_SH.schdoc	
Approved by: **	http://www.nic.cz	

