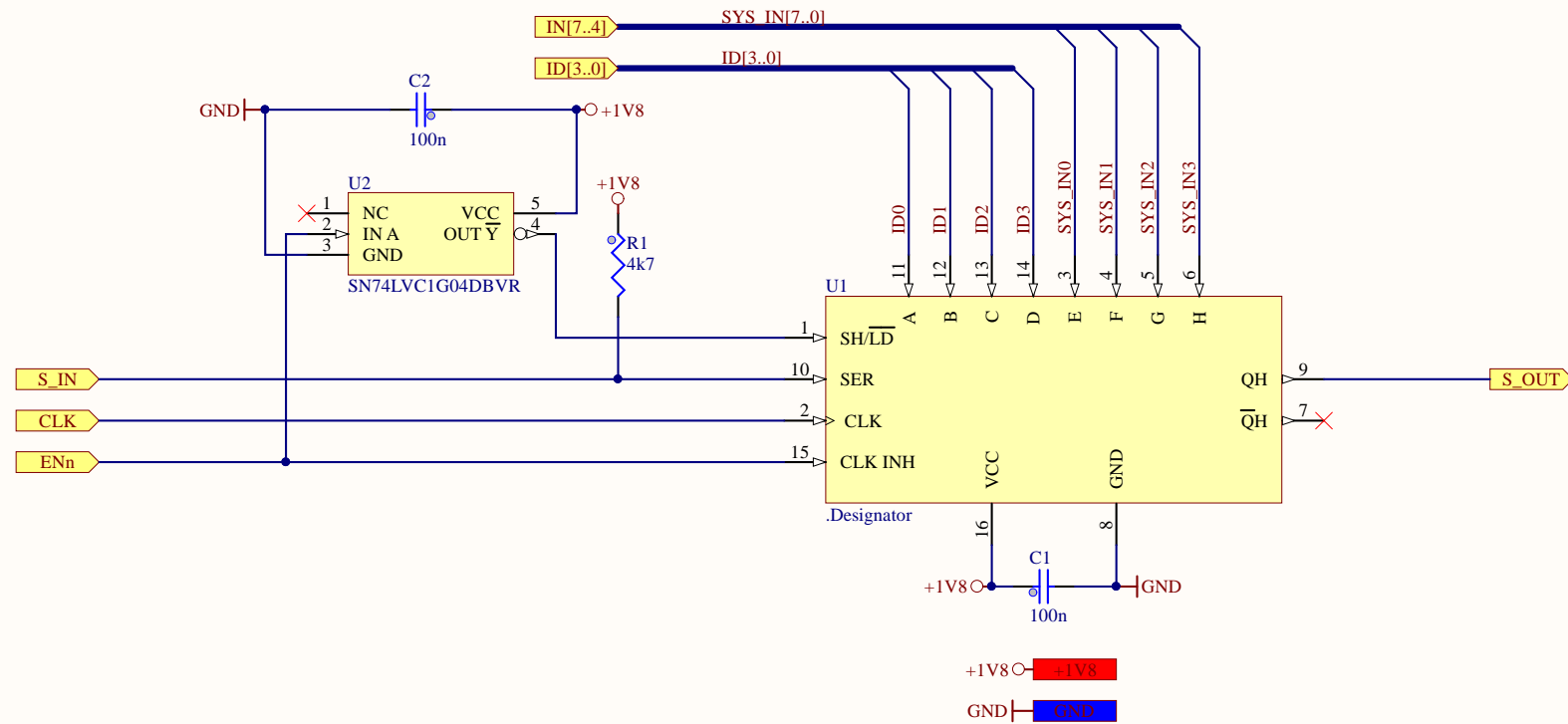


Author: Zbyněk Kos & Tomáš Rykl  
 Engineer: Zbyněk Kos  
 Drawn by: Zbyněk Kos & Tomáš Rykl  
 Checked by: Tomáš Rykl  
 Approved by: \*  
<http://www.nic.cz>

Title: **Turris Mox SFP - Top**  
 Document Number: CZ31NIC220000-1  
 Revision: 220000  
 Sheet 1 of 8  
 Date: \* \*  
 Name: CZ31NIC\_Card.schdoc

CZ.NIC, z.s.p.o.  
 Míšeřská 5  
 130 00 Praha 3



Author: Zbyněk Kos & Tomáš Rykl  
 Engineer: Zbyněk Kos  
 Drawn by: Zbyněk Kos & Tomáš Rykl  
 Checked by: Tomáš Rykl  
 Approved by: \*  
<http://www.nic.cz>

Title: **Turris Mox SFP - ID&In**  
 Document Number: CZ31NIC220000-2  
 Sheet 2 of 8  
 Name: CZ31NIC\_SYS\_ID&IN.schdoc  
 Revision: 220000  
 Date: \* \*

CZ.NIC, z.s.p.o.  
 Milešovská 5  
 130 00 Praha 3  


A

A

B

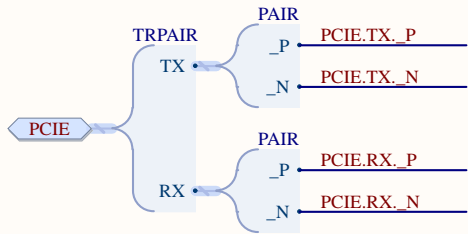
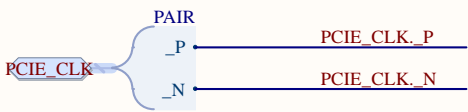
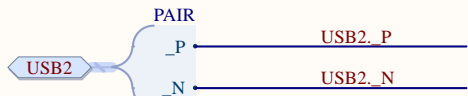
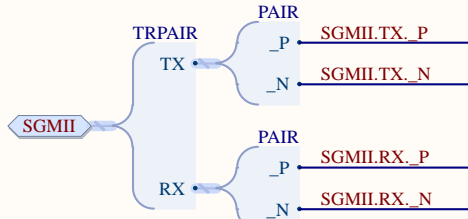
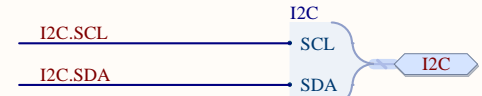
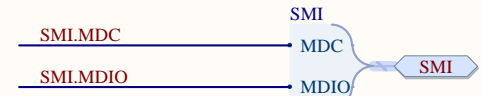
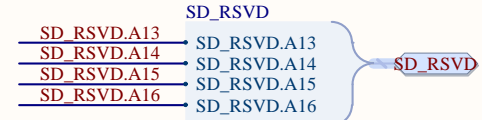
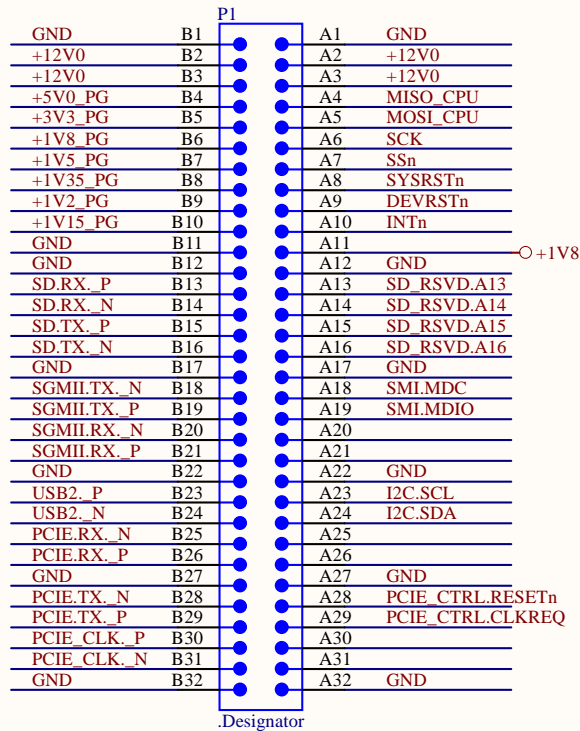
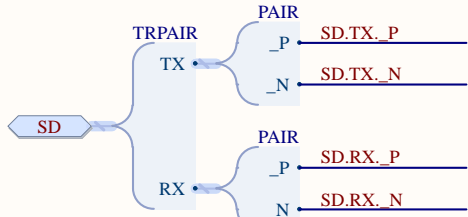
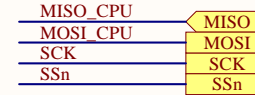
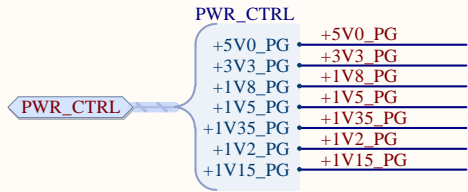
B

C

C

D

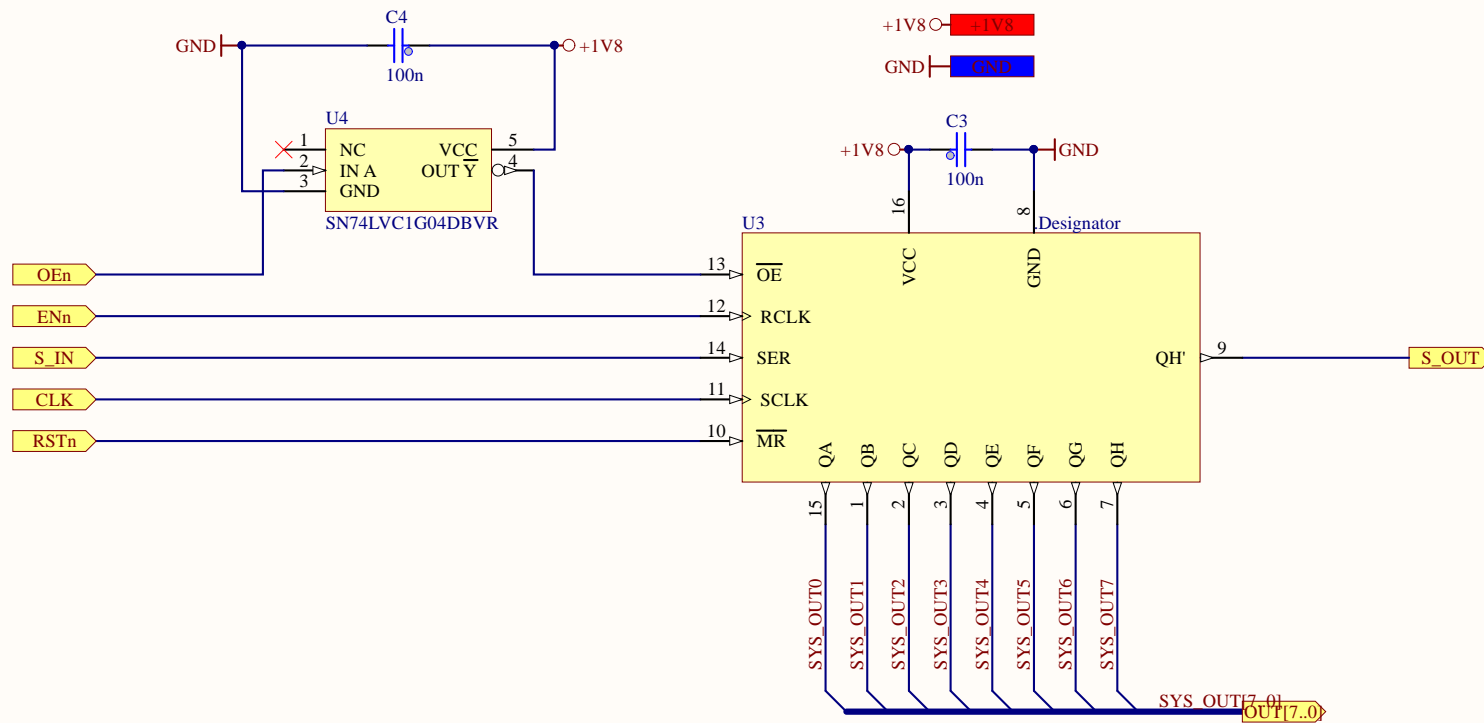
D



Author: Zbyněk Kos & Tomáš Rykl  
 Engineer: Zbyněk Kos  
 Drawn by: Zbyněk Kos & Tomáš Rykl  
 Checked by: Tomáš Rykl  
 Approved by: \*  
<http://www.nic.cz>

Title: **Turris Mox SFP - In CN**  
 Document Number: CZ31NIC220000-3  
 Sheet 3 of 8  
 Name: CZ31NIC\_SYS\_IN\_CN.SchDoc

CZ.NIC, z.s.p.o.  
 Milešovská 5  
 130 00 Praha 3



Author: Zbyněk Kos & Tomáš Rykl  
 Engineer: Zbyněk Kos  
 Drawn by: Zbyněk Kos & Tomáš Rykl  
 Checked by: Tomáš Rykl  
 Approved by: \*  
<http://www.nic.cz>

Title: **Turris Mox SFP - Out**  
 Document Number: CZ31NIC220000-4  
 Sheet 4 of 8  
 Name: CZ31NIC\_SYS\_OUT.schdoc

Revision: 220000  
 Date: \* \*

CZ.NIC, z.s.p.o.  
 Milešovská 5  
 130 00 Praha 3  


A

A

B

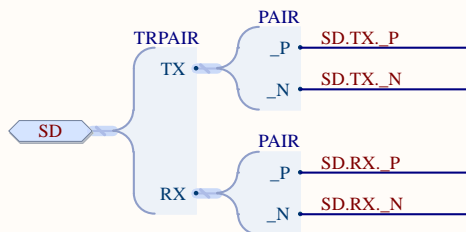
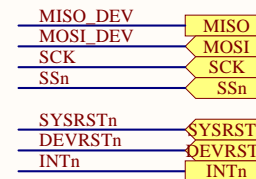
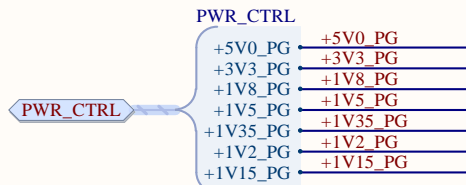
B

C

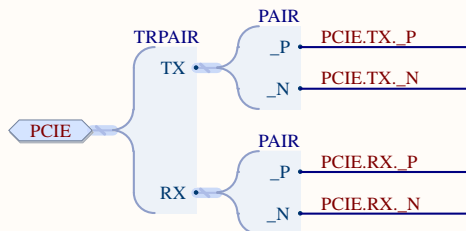
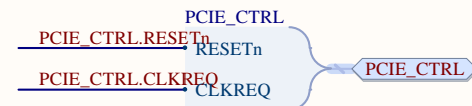
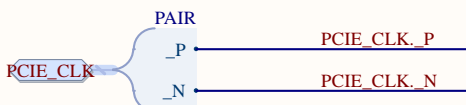
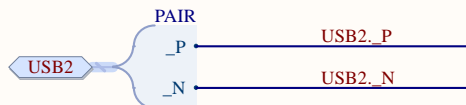
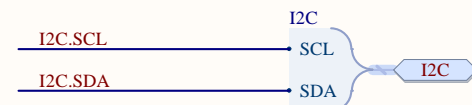
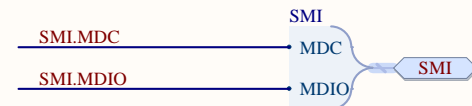
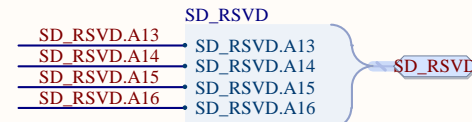
C

D

D



P2		P2	
B	A	B	A
GND	B1	A1	GND
+12V0	B2	A2	+12V0
+12V0	B3	A3	+12V0
+5V0_PG	B4	A4	MISO_DEV
+3V3_PG	B5	A5	MOSI_DEV
+1V8_PG	B6	A6	SCK
+1V5_PG	B7	A7	SSn
+1V35_PG	B8	A8	SYSRSTn
+1V2_PG	B9	A9	DEVRSTn
+1V15_PG	B10	A10	INTn
GND	B11	A11	
GND	B12	A12	GND
SD.RX_P	B13	A13	SD_RSVD.A13
SD.RX_N	B14	A14	SD_RSVD.A14
SD.TX_P	B15	A15	SD_RSVD.A15
SD.TX_N	B16	A16	SD_RSVD.A16
GND	B17	A17	GND
	B18	A18	SMI.MDC
	B19	A19	SMI.MDIO
	B20	A20	
	B21	A21	
GND	B22	A22	GND
USB2_P	B23	A23	I2C.SCL
USB2_N	B24	A24	I2C.SDA
PCIE.RX_N	B25	A25	
PCIE.RX_P	B26	A26	
GND	B27	A27	GND
PCIE.TX_N	B28	A28	PCIE_CTRL.RESETn
PCIE.TX_P	B29	A29	PCIE_CTRL.CLKREQ
PCIE_CLK_P	B30	A30	
PCIE_CLK_N	B31	A31	
GND	B32	A32	GND



c-6-1734857-5-b-3d

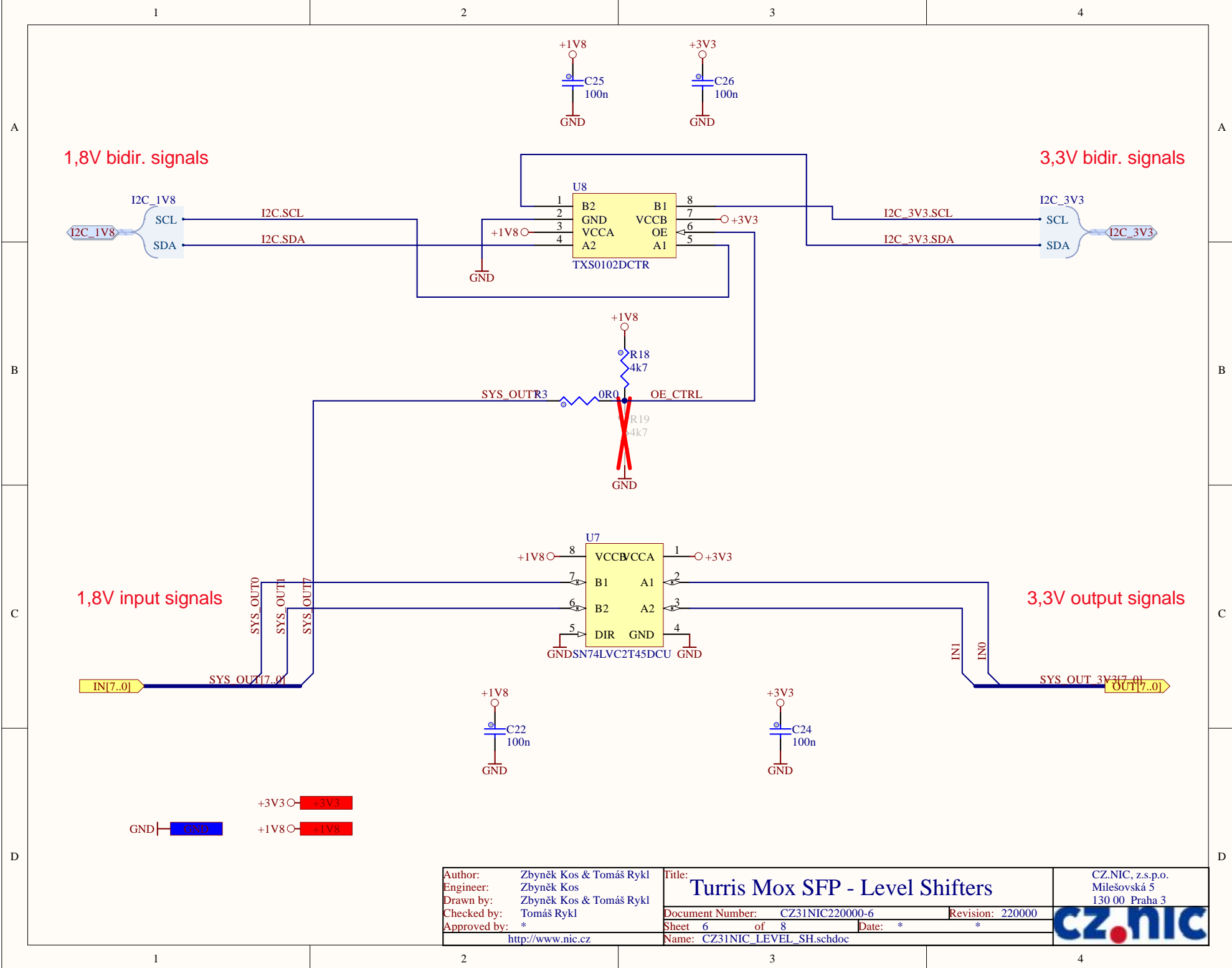
Author: Zbyněk Kos & Tomáš Rykl  
 Engineer: Zbyněk Kos  
 Drawn by: Zbyněk Kos & Tomáš Rykl  
 Checked by: Tomáš Rykl  
 Approved by: \*  
<http://www.nic.cz>

Title: **Turris Mox SFP - Out CN**  
 Document Number: CZ31NIC220000-5  
 Sheet 5 of 8  
 Name: CZ31NIC\_SYS\_OUT\_CN.SchDoc

Revision: 220000  
 Date: \* \*

CZ.NIC, z.s.p.o.  
 Milešovská 5  
 130 00 Praha 3





1,8V bidir. signals

3,3V bidir. signals

1,8V input signals

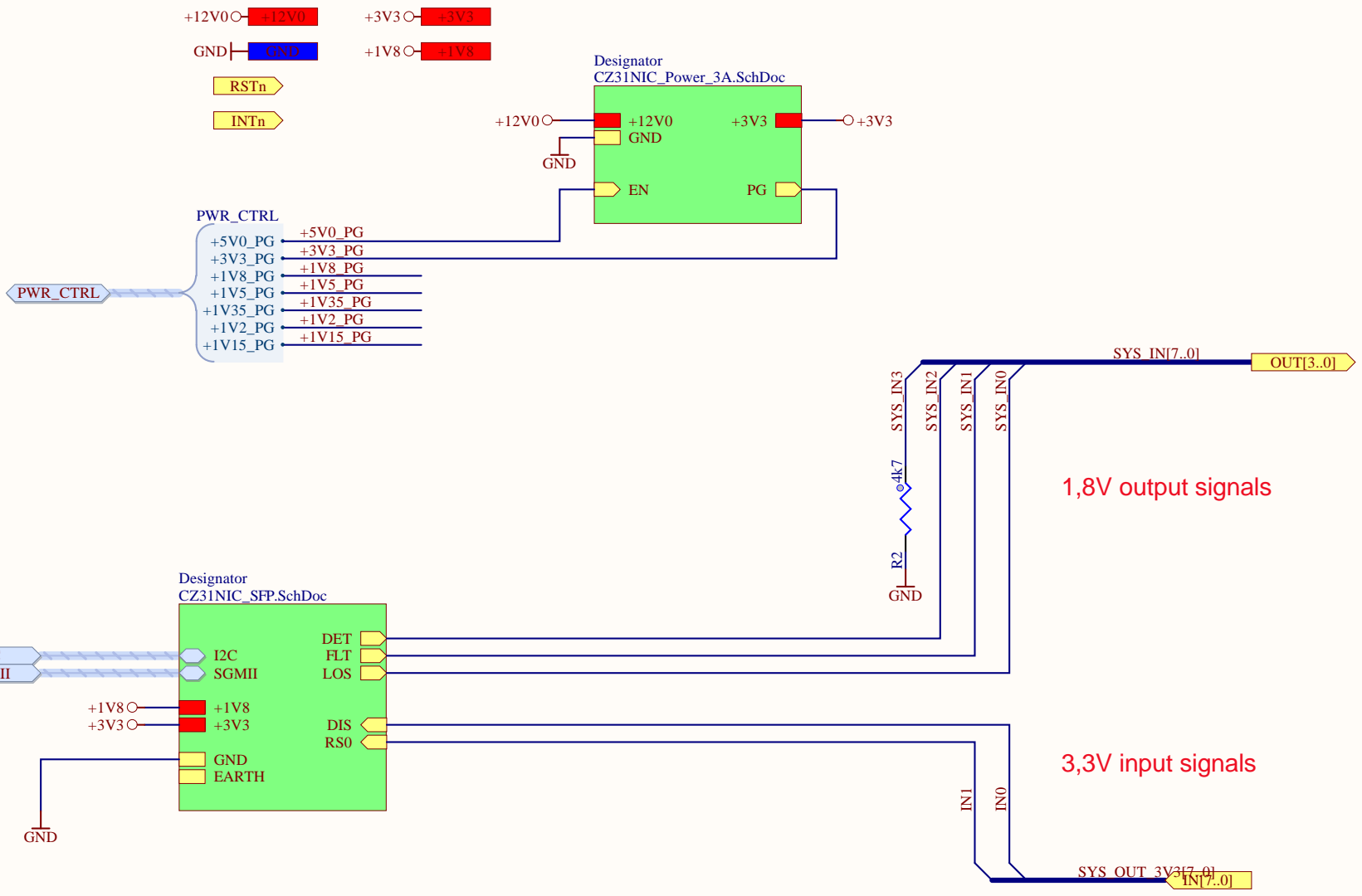
3,3V output signals

+3V3 +3V3  
 GND GND    +1V8 +1V8

Author: Zbyněk Kos & Tomáš Rykl  
 Engineer: Zbyněk Kos  
 Drawn by: Zbyněk Kos & Tomáš Rykl  
 Checked by: Tomáš Rykl  
 Approved by: \*  
<http://www.nic.cz>

Title: **Turris Mox SFP - Level Shifters**  
 Document Number: CZ31NIC220000-6    Revision: 220000  
 Sheet 6 of 8    Date: \* \*

CZ.NIC, z.s.p.o.  
 Milešovská 5  
 130 00 Praha 3  

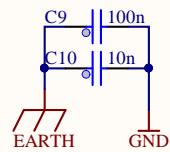
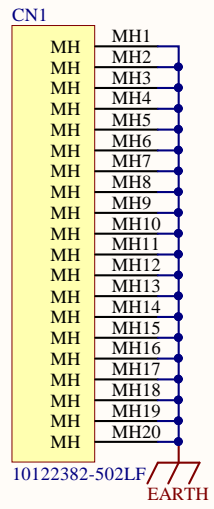
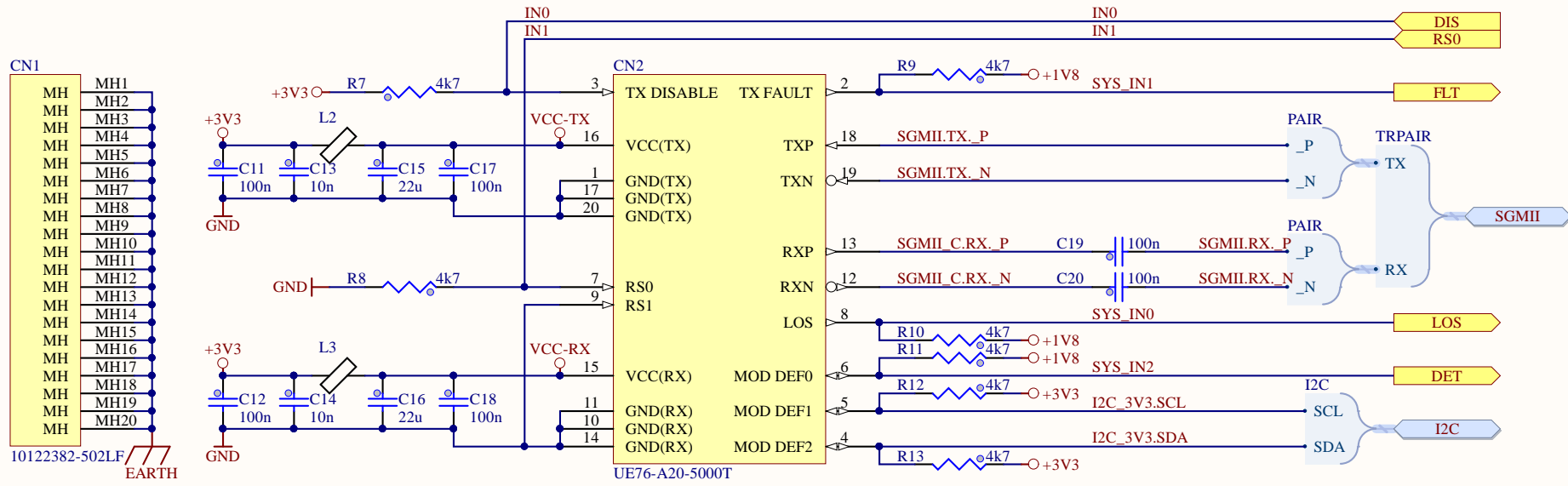



Author: Zbyněk Kos & Tomáš Rykl  
 Engineer: Zbyněk Kos  
 Drawn by: Zbyněk Kos & Tomáš Rykl  
 Checked by: Tomáš Rykl  
 Approved by: \*  
<http://www.nic.cz>

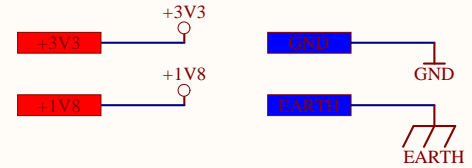
Title: **Turris Mox SFP - App**  
 Document Number: CZ31NIC220000-6  
 Sheet 6 of 8  
 Name: CZ31NIC\_Card\_App.schdoc

CZ.NIC, z.s.p.o.  
 Milešovská 5  
 130 00 Praha 3





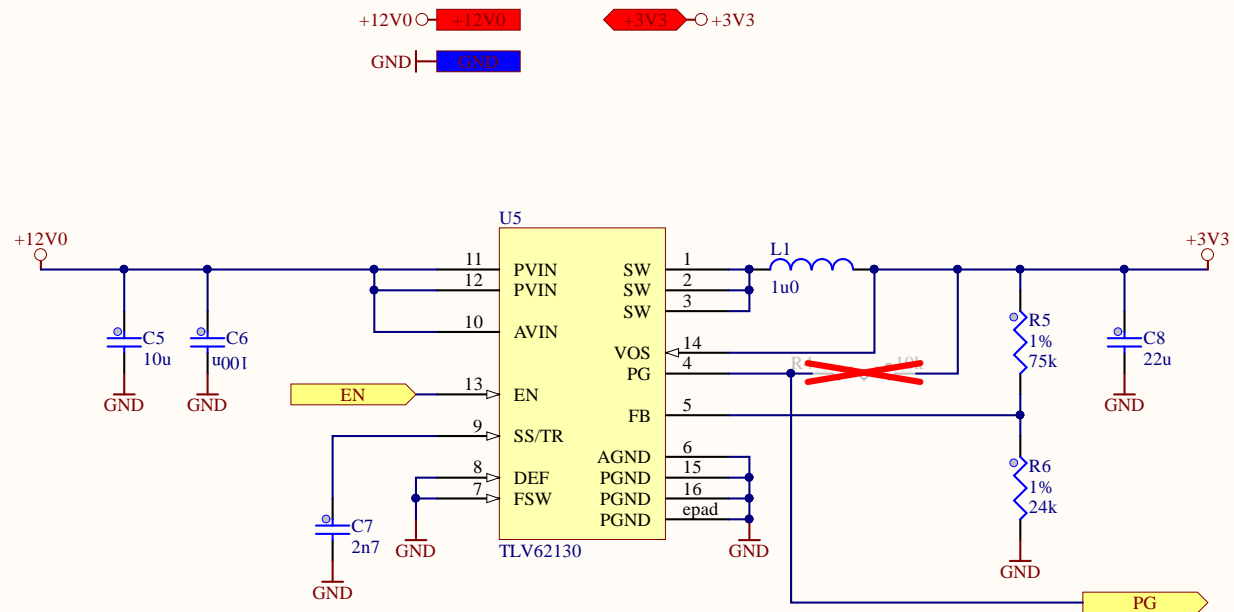
SFP addr:  
 => 7b: 0X50 => Serial ID  
 => 8b: 0XA0  
 => 7b: 0X51 => Warning Tresholds  
 => 8b: 0XA2



Author: Zbyněk Kos & Tomáš Rykl	Title: <b>Turris Mox SFP - SFP</b>	CZ.NIC, z.s.p.o. Milešovská 5 130 00 Praha 3
Engineer: Zbyněk Kos	Document Number: CZ31NIC220000-7	
Drawn by: Zbyněk Kos & Tomáš Rykl	Sheet 7 of 8	Date: * *
Checked by: Tomáš Rykl	Name: CZ31NIC_SFP.SchDoc	
Approved by: *		
<a href="http://www.nic.cz">http://www.nic.cz</a>		







Author: Zbyněk Kos & Tomáš Rykl  
 Engineer: Zbyněk Kos  
 Drawn by: Zbyněk Kos & Tomáš Rykl  
 Checked by: Tomáš Rykl  
 Approved by: \*  
<http://www.nic.cz>

Title: **Turris Mox SFP - Power 3A**

Document Number: CZ31NIC220000-8  
 Sheet 8 of 8  
 Name: CZ31NIC\_Power\_3A.SchDoc

CZ.NIC, z.s.p.o.  
 Milešovská 5  
 130 00 Praha 3

Revision: 220000  
 Date: \* \*