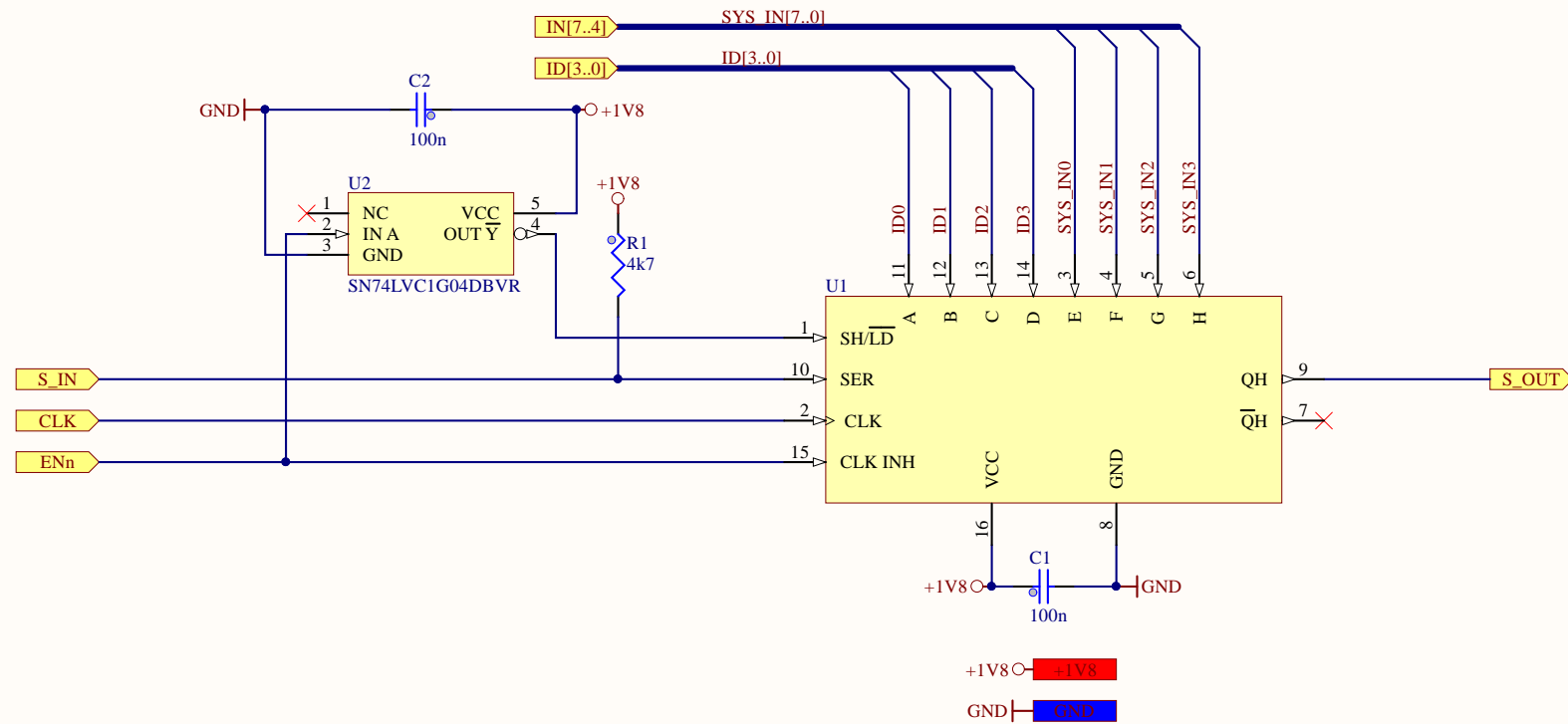


Author: Jiri Kovanda	Title: Turris Mox Topaz - Top		CZ.NIC, z.s.p.o. Milešovská 5 130 00 Praha 3
Engineer: Jiri Kovanda	Document Number: CZ33NIC220000-1		
Drawn by: Jiri Kovanda	Revision: 220000		
Checked by: **	Sheet 1 of 8	Date: * *	
Approved by: **	Name: CZ33NIC_Card.schdoc		
http://www.nic.cz			



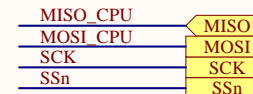
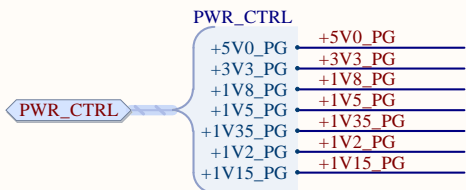
Author: Jiri Kovanda
 Engineer: Jiri Kovanda
 Drawn by: Jiri Kovanda
 Checked by: **
 Approved by: **
<http://www.nic.cz>

Title: **Turris Mox Topaz - ID&In**
 Document Number: CZ33NIC220000-2
 Sheet 2 of 8
 Name: CZ33NIC_SYS_ID&IN.schdoc

CZ.NIC, z.s.p.o.
 Milešovská 5
 130 00 Praha 3

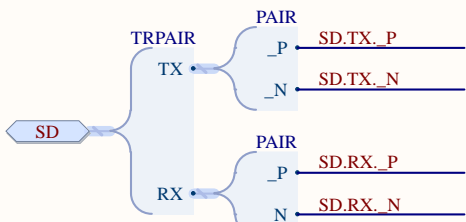

A

A

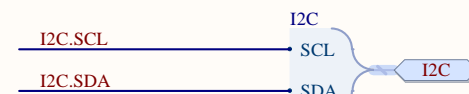
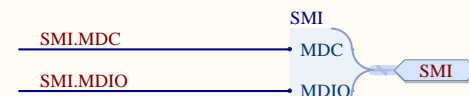
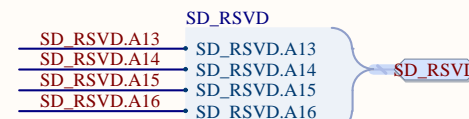


B

B

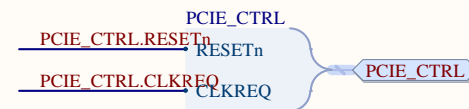
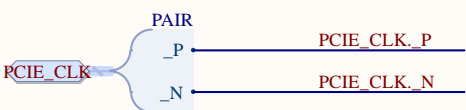
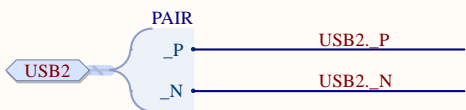


		P1			
GND	B1	A1	GND		
+12V0	B2	A2	+12V0		
+12V0	B3	A3	+12V0		
+5V0_PG	B4	A4	MISO_CPU		
+3V3_PG	B5	A5	MOSI_CPU		
+1V8_PG	B6	A6	SCK		
+1V5_PG	B7	A7	SSn		
+1V35_PG	B8	A8	SYSRSTn		
+1V2_PG	B9	A9	DEVRSTn		
+1V15_PG	B10	A10	INTn		
GND	B11	A11			○ +1V8
GND	B12	A12	GND		
SD.RX._P	B13	A13	SD_RSVD.A13		
SD.RX._N	B14	A14	SD_RSVD.A14		
SD.TX._P	B15	A15	SD_RSVD.A15		
SD.TX._N	B16	A16	SD_RSVD.A16		
GND	B17	A17	GND		
SGMII.TX._N	B18	A18	SMI.MDC		
SGMII.TX._P	B19	A19	SMI.MDIO		
SGMII.RX._N	B20	A20			
SGMII.RX._P	B21	A21			
GND	B22	A22	GND		
USB2._P	B23	A23	I2C.SCL		
USB2._N	B24	A24	I2C.SDA		
PCIE.RX._N	B25	A25			
PCIE.RX._P	B26	A26			
GND	B27	A27	GND		
PCIE.TX._N	B28	A28	PCIE_CTRL.RESETn		
PCIE.TX._P	B29	A29	PCIE_CTRL.CLKREQ		
PCIE.CLK._P	B30	A30			
PCIE.CLK._N	B31	A31			
GND	B32	A32	GND		



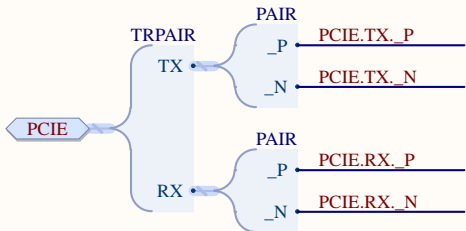
C

C



D

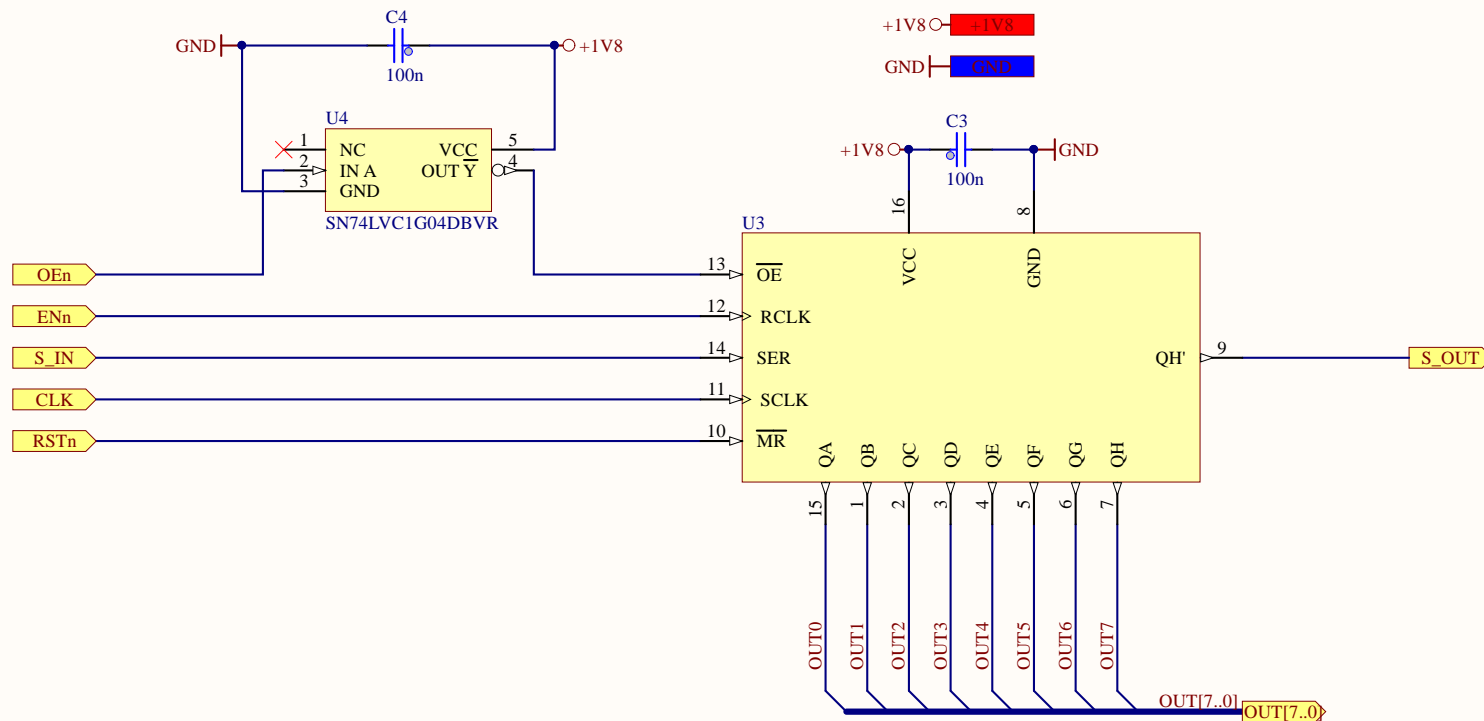
D



Author: Jiri Kovanda
 Engineer: Jiri Kovanda
 Drawn by: Jiri Kovanda
 Checked by: **
 Approved by: **
<http://www.nic.cz>

Title: **Turris Mox Topaz - In CN**
 Document Number: CZ33NIC220000-3
 Sheet 3 of 8
 Name: CZ33NIC_SYS_IN_CN.SchDoc

CZ.NIC, z.s.p.o.
 Milešovská 5
 130 00 Praha 3



Author: Jiri Kovanda
 Engineer: Jiri Kovanda
 Drawn by: Jiri Kovanda
 Checked by: **
 Approved by: **
<http://www.nic.cz>

Title: **Turris Mox Topaz - Out**
 Document Number: CZ33NIC220000-4
 Sheet 4 of 8
 Name: CZ33NIC_SYS_OUT.schdoc

Revision: 220000
 Date: * *

CZ.NIC, z.s.p.o.
 Milešovská 5
 130 00 Praha 3


A

A

B

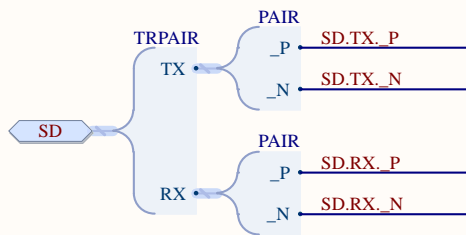
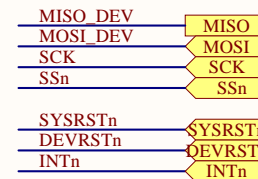
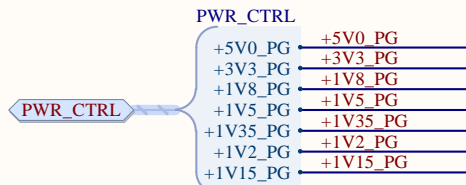
B

C

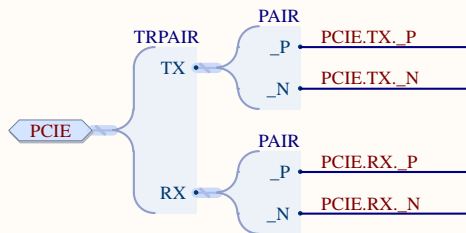
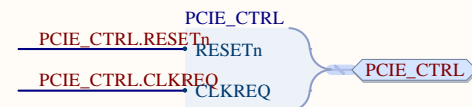
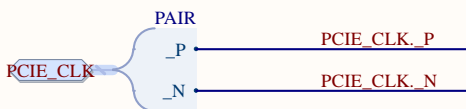
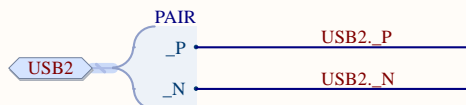
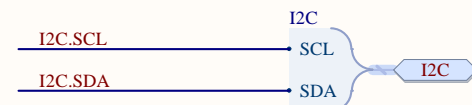
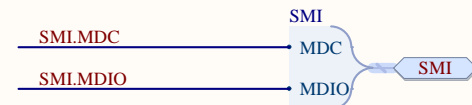
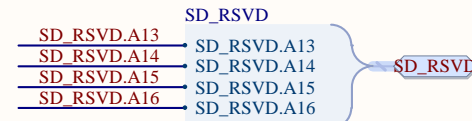
C

D

D



P2		P2	
GND	B1	A1	GND
+12V0	B2	A2	+12V0
+12V0	B3	A3	+12V0
+5V0_PG	B4	A4	MISO_DEV
+3V3_PG	B5	A5	MOSI_DEV
+1V8_PG	B6	A6	SCK
+1V5_PG	B7	A7	SSn
+1V35_PG	B8	A8	SYSRSTn
+1V2_PG	B9	A9	DEVRSTn
+1V15_PG	B10	A10	INTn
GND	B11	A11	
GND	B12	A12	GND
SD.RX_P	B13	A13	SD_RSVD.A13
SD.RX_N	B14	A14	SD_RSVD.A14
SD.TX_P	B15	A15	SD_RSVD.A15
SD.TX_N	B16	A16	SD_RSVD.A16
GND	B17	A17	GND
	B18	A18	SMI.MDC
	B19	A19	SMI.MDIO
	B20	A20	
	B21	A21	
GND	B22	A22	GND
USB2_P	B23	A23	I2C.SCL
USB2_N	B24	A24	I2C.SDA
PCIE.RX_N	B25	A25	
PCIE.RX_P	B26	A26	
GND	B27	A27	GND
PCIE.TX_N	B28	A28	PCIE_CTRL.RESETn
PCIE.TX_P	B29	A29	PCIE_CTRL.CLKREQ
PCIE_CLK_P	B30	A30	
PCIE_CLK_N	B31	A31	
GND	B32	A32	GND

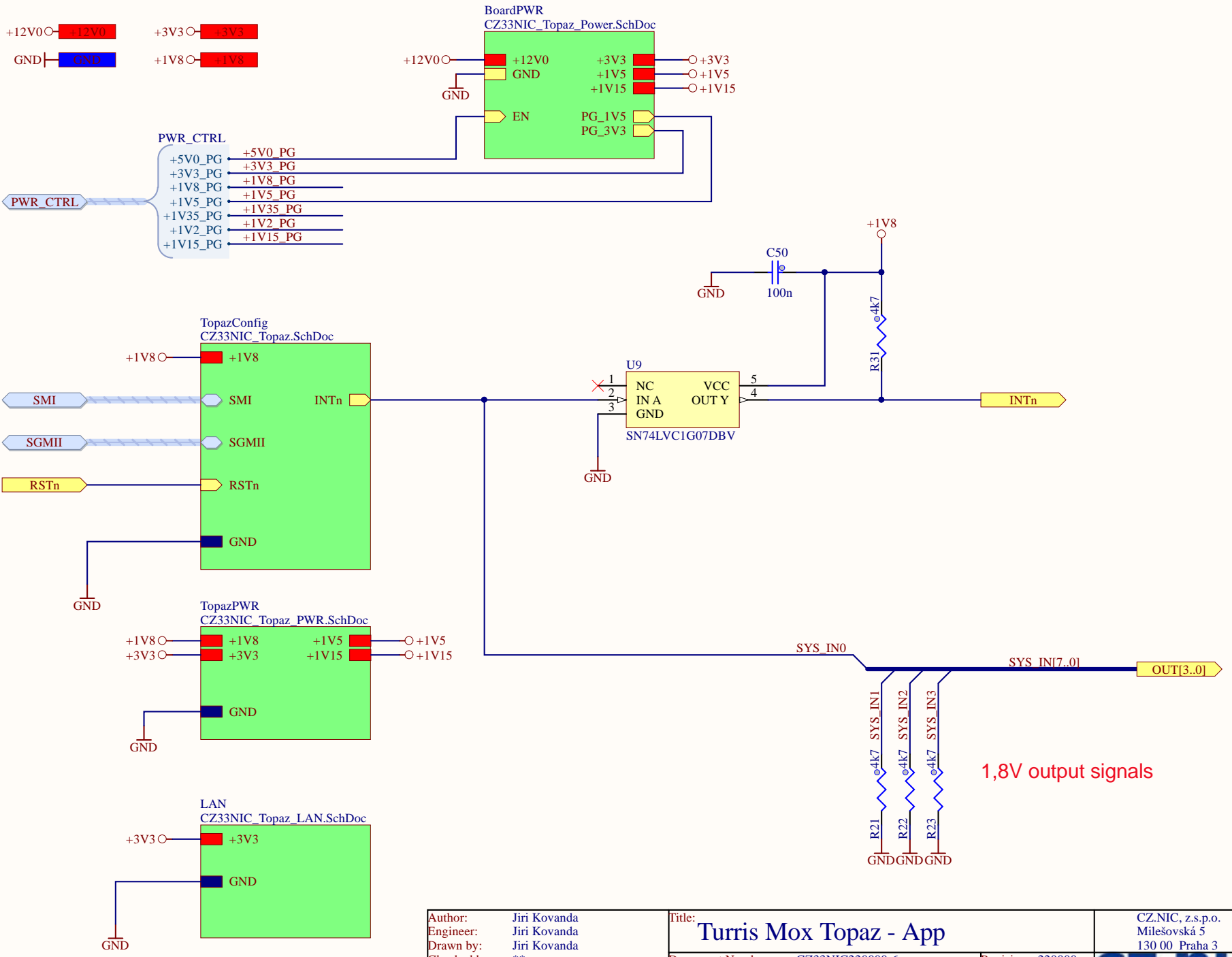


6-1734857-5

Author: Jiri Kovanda
 Engineer: Jiri Kovanda
 Drawn by: Jiri Kovanda
 Checked by: **
 Approved by: **
<http://www.nic.cz>

Title: **Turris Mox Topaz - Out CN**
 Document Number: CZ33NIC220000-5
 Sheet 5 of 8
 Name: CZ33NIC_SYS_OUT_CN.SchDoc

CZ.NIC, z.s.p.o.
 Milešovská 5
 130 00 Praha 3

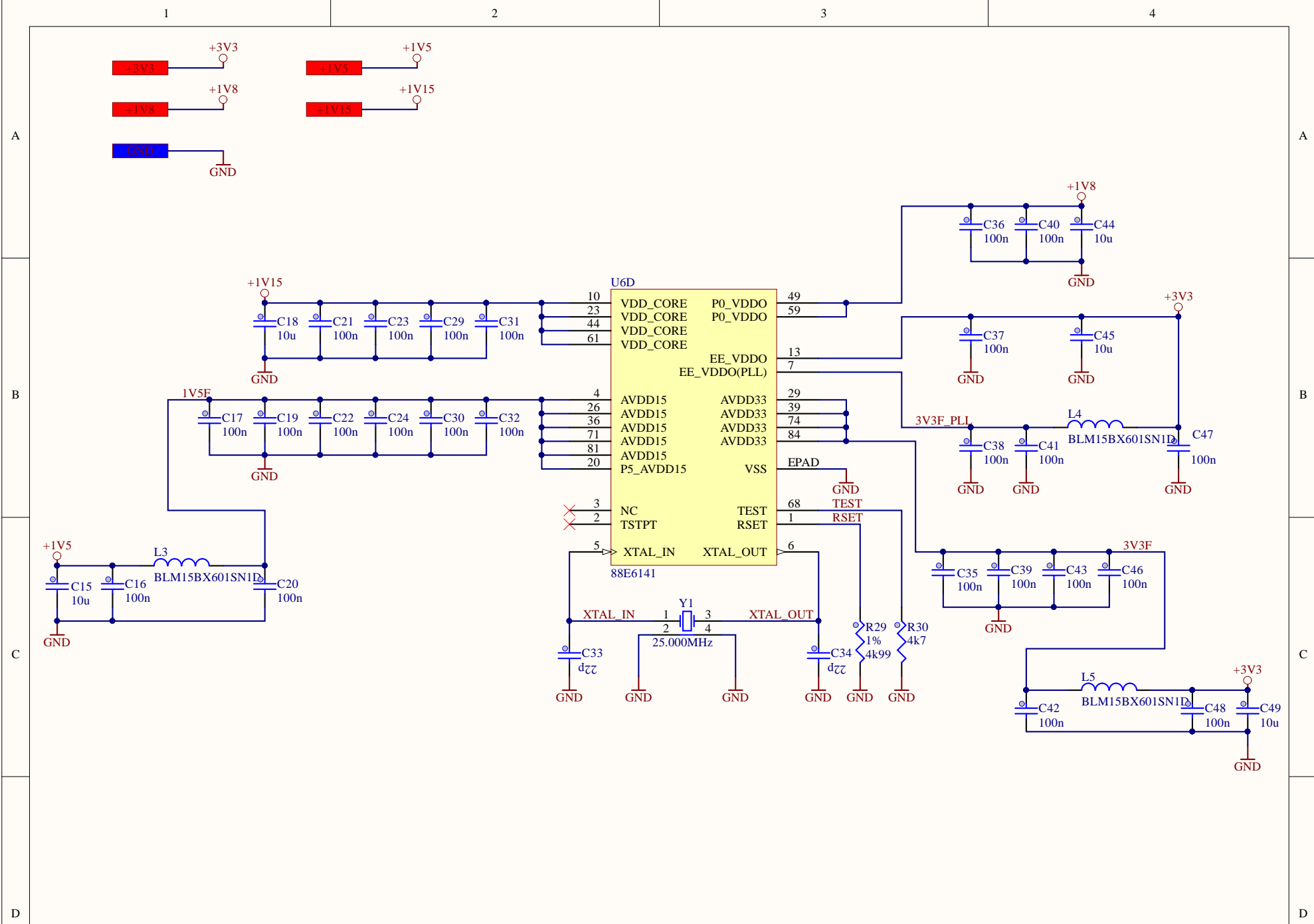


Author: Jiri Kovanda
 Engineer: Jiri Kovanda
 Drawn by: Jiri Kovanda
 Checked by: **
 Approved by: **
<http://www.nic.cz>

Title: **Turris Mox Topaz - App**
 Document Number: CZ33NIC220000-6
 Sheet 6 of 8
 Name: CZ33NIC_Card_App.schdoc

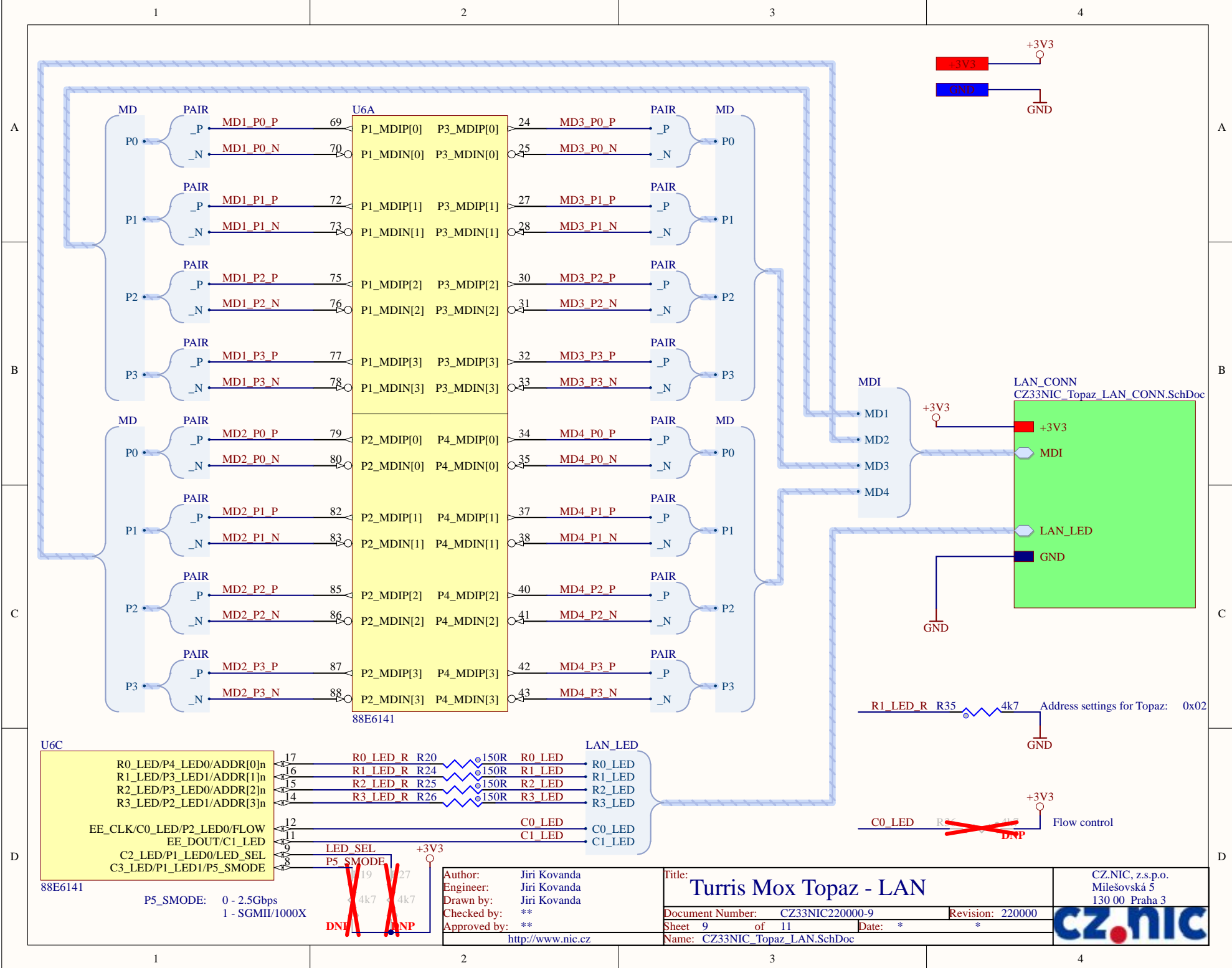
CZ.NIC, z.s.p.o.
 Milešovská 5
 130 00 Praha 3


1,8V output signals



Author: Jiri Kovanda	Title: Turris Mox Topaz - PWR	CZ.NIC, z.s.p.o. Milešovská 5 130 00 Praha 3
Engineer: Jiri Kovanda	Document Number: CZ33NIC220000-8	
Drawn by: Jiri Kovanda	Sheet 8 of 11	Date: * *
Checked by: **	Name: CZ33NIC_Topaz_PWR.SchDoc	
Approved by: **	http://www.nic.cz	





Author: Jiri Kovanda
 Engineer: Jiri Kovanda
 Drawn by: Jiri Kovanda
 Checked by: **
 Approved by: **
<http://www.nic.cz>

Title: **Turris Mox Topaz - LAN**
 Document Number: CZ33NIC220000-9
 Sheet 9 of 11
 Name: CZ33NIC_Topaz_LAN.SchDoc

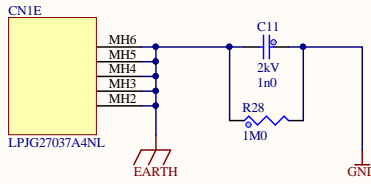
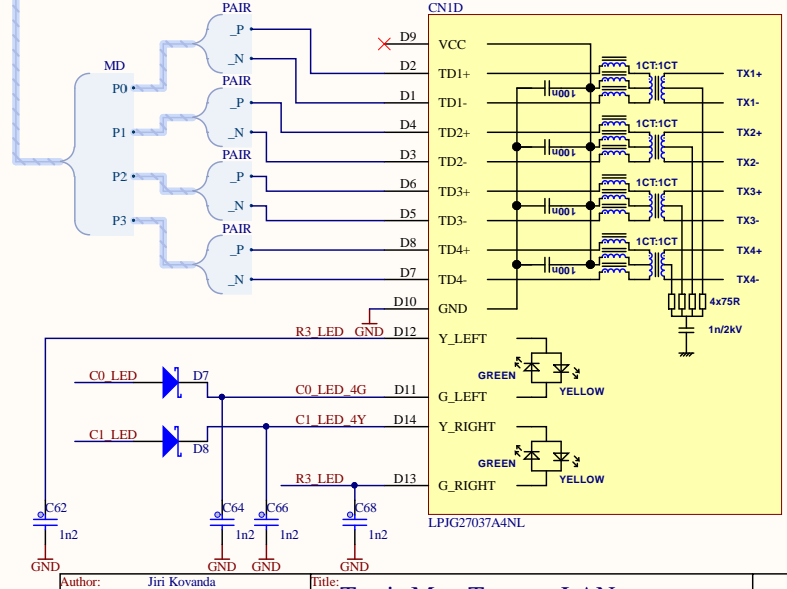
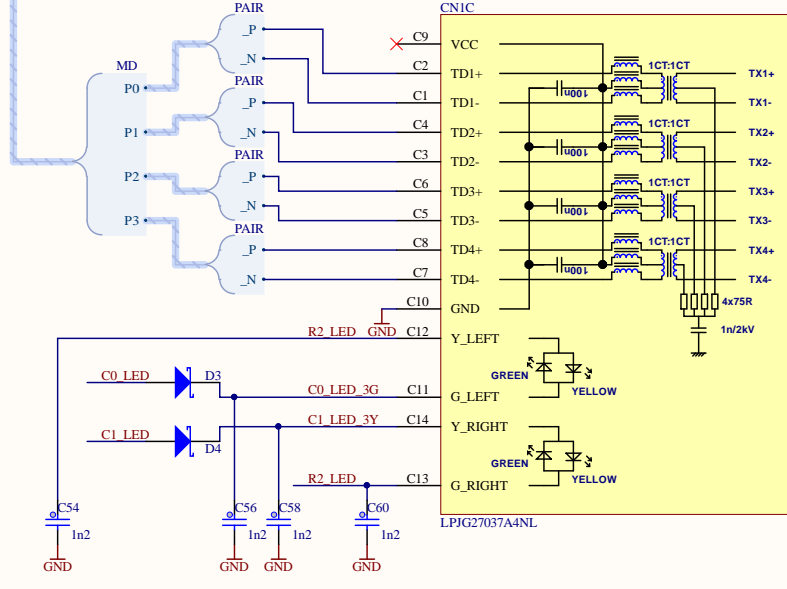
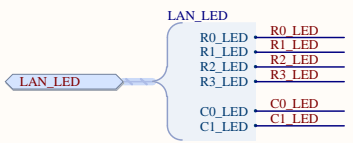
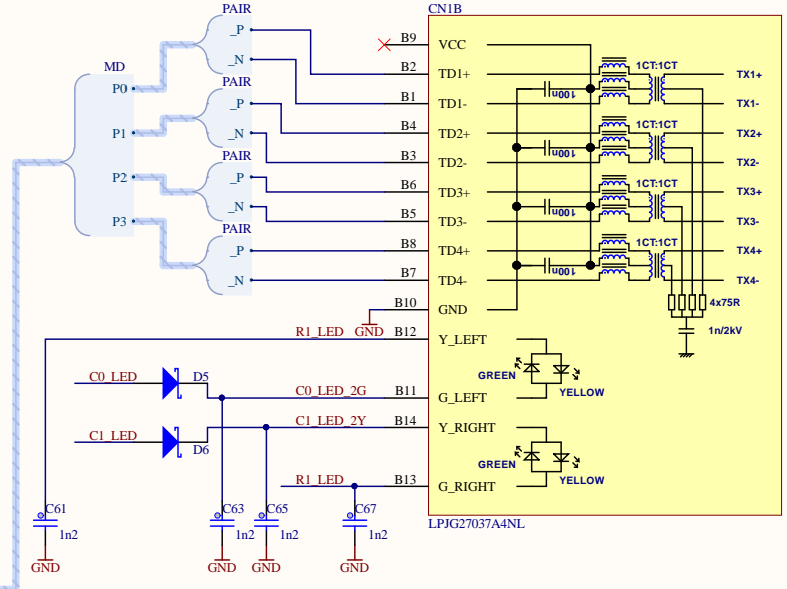
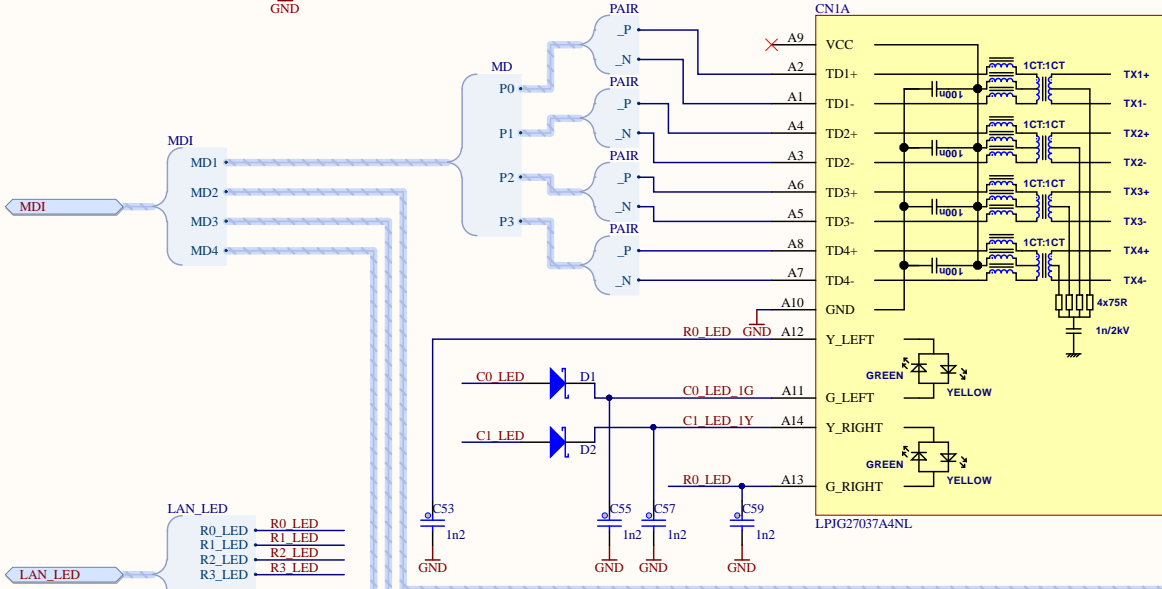
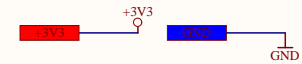
Revision: 220000
 Date: * *

CZ.NIC, z.s.p.o.
 Milešovská 5
 130 00 Praha 3

U6C
 R0_LED/P4_LED0/ADDR[0]in 17
 R1_LED/P3_LED1/ADDR[1]in 16
 R2_LED/P3_LED0/ADDR[2]in 15
 R3_LED/P2_LED1/ADDR[3]in 14
 EE_CLK/C0_LED/P2_LED0/FLOW 12
 EE_DOUT/C1_LED 11
 C2_LED/P1_LED0/LED_SEL 9
 C3_LED/P1_LED1/P5_SMODE 8
 P5_SMODE
 88E6141

P5_SMODE: 0 - 2.5Gbps
 1 - SGMII/1000X

~~DNP~~



Author: Jiri Kovanda	Title: Turris Mox Topaz - LAN connector	CZ.NIC, z.s.p.o. Milešovská 5 130 00 Praha 3
Engineer: Jiri Kovanda	Document Number: CZ33NIC220000-10	Revision: 220000
Drawn by: Jiri Kovanda	Sheet 10 of 11	Date: *
Checked by: **	Name: CZ33NIC_Topaz_LAN_CONN.SchDoc	
Approved by: **	http://www.nic.cz	



A

A

B

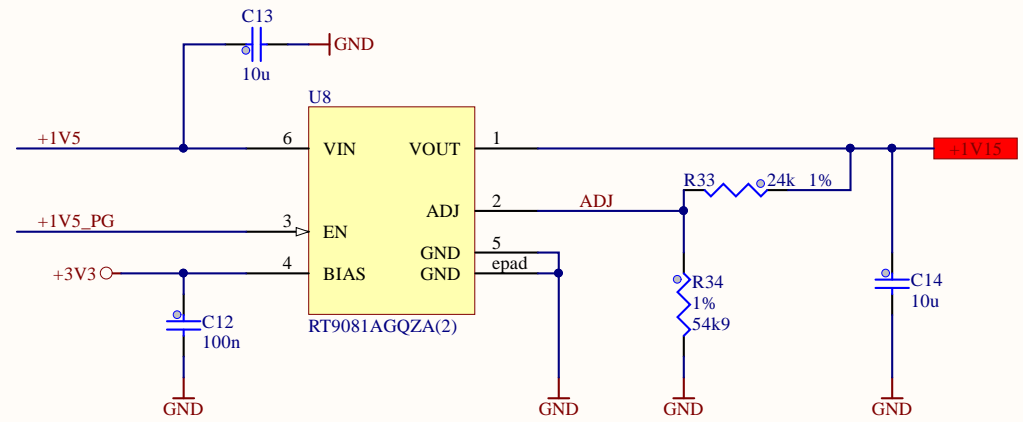
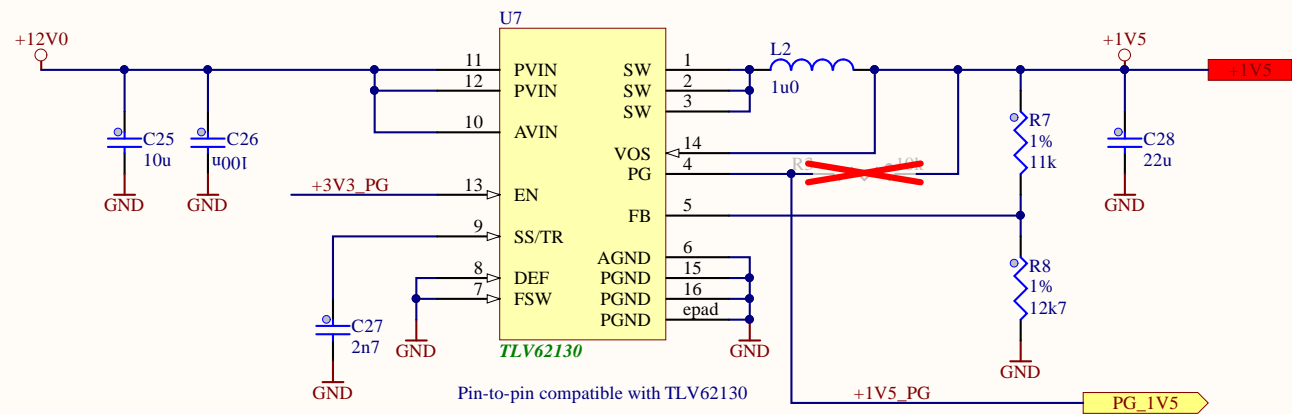
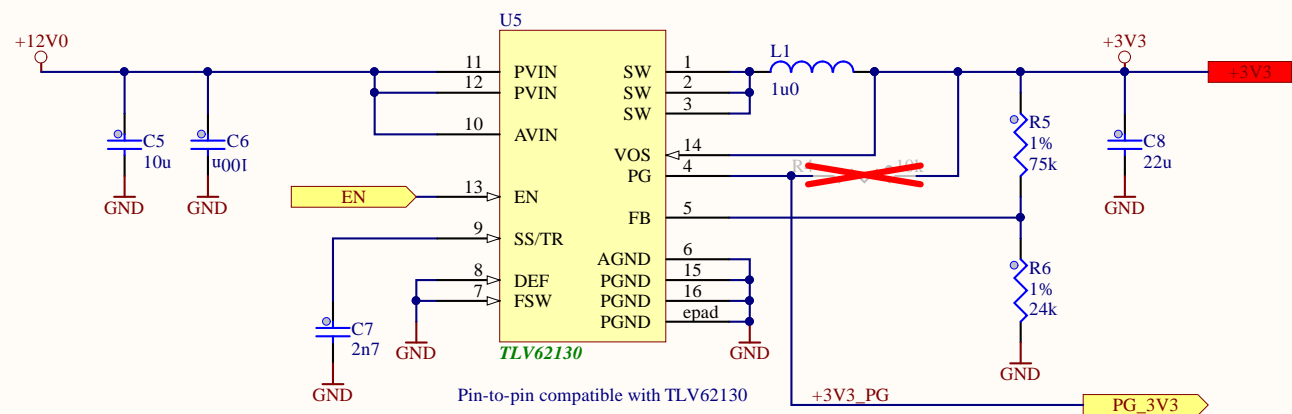
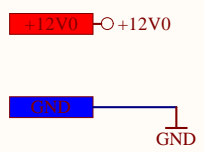
B

C

C

D

D



Author: Jiri Kovanda
 Engineer: Jiri Kovanda
 Drawn by: Jiri Kovanda
 Checked by: **
 Approved by: **
<http://www.nic.cz>

Title: **Turris Mox Topaz - Power**
 Document Number: CZ33NIC220000-11
 Sheet 11 of 11
 Name: CZ33NIC_Topaz_Power.SchDoc

CZ.NIC, z.s.p.o.
 Milešovská 5
 130 00 Praha 3