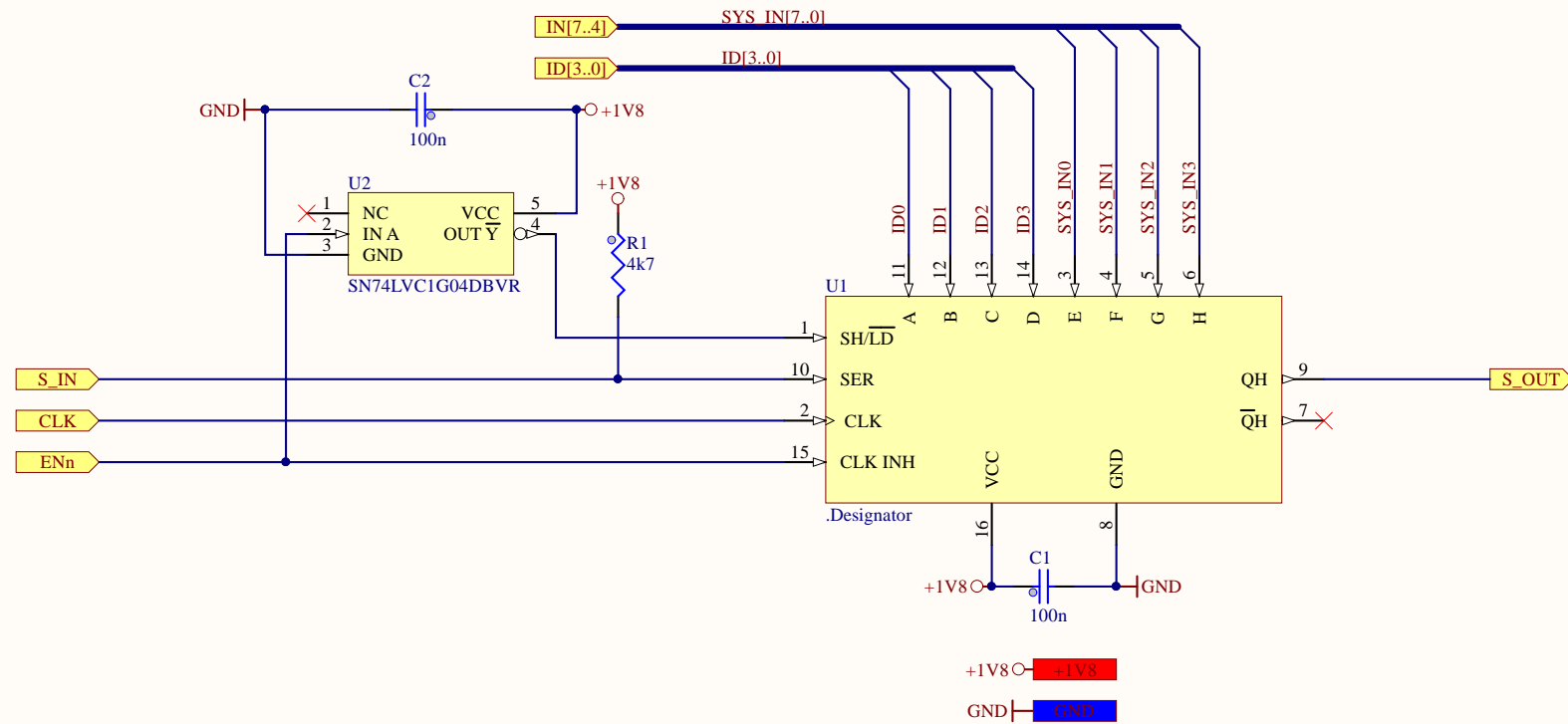


Author: Zbyněk Kos & Tomáš Rykl
 Engineer: Zbyněk Kos
 Drawn by: Zbyněk Kos & Tomáš Rykl
 Checked by: Tomáš Rykl
 Approved by: *
<http://www.nic.cz>

Title: **Turris Mox PCIe - Top**
 Document Number: CZ32NIC220000-1
 Sheet 1 of 9
 Name: CZ32NIC_Card.schdoc

CZ.NIC, z.s.p.o.
 Milešovská 5
 130 00 Praha 3



Author: Zbyněk Kos & Tomáš Rykl
 Engineer: Zbyněk Kos
 Drawn by: Zbyněk Kos & Tomáš Rykl
 Checked by: Tomáš Rykl
 Approved by: *
<http://www.nic.cz>

Title: **Turris Mox PCIE - ID&In**
 Document Number: CZ32NIC220000-2
 Sheet 2 of 9
 Name: CZ32NIC_SYS_ID&IN.schdoc

CZ.NIC, z.s.p.o.
 Milešovská 5
 130 00 Praha 3


A

A

B

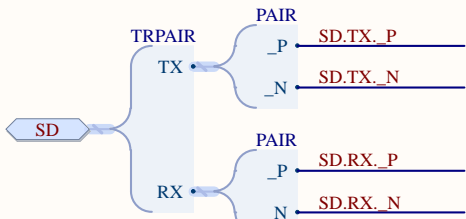
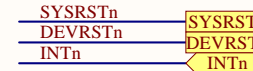
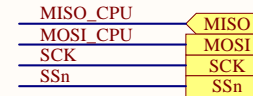
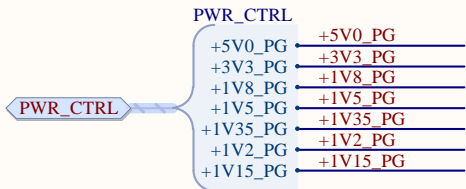
B

C

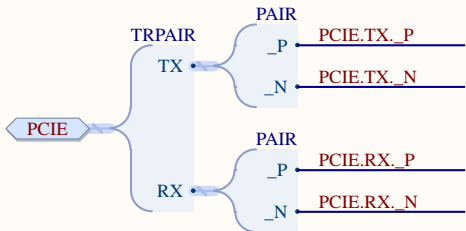
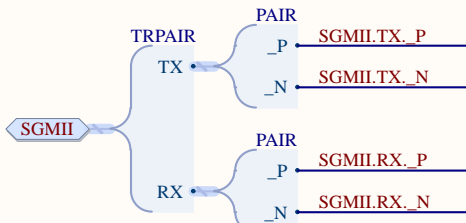
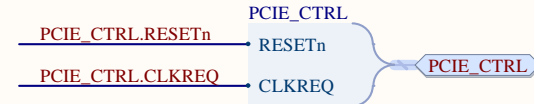
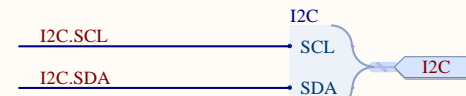
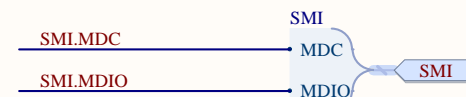
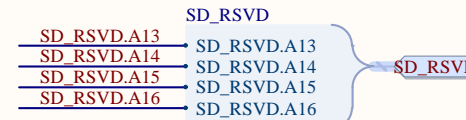
C

D

D



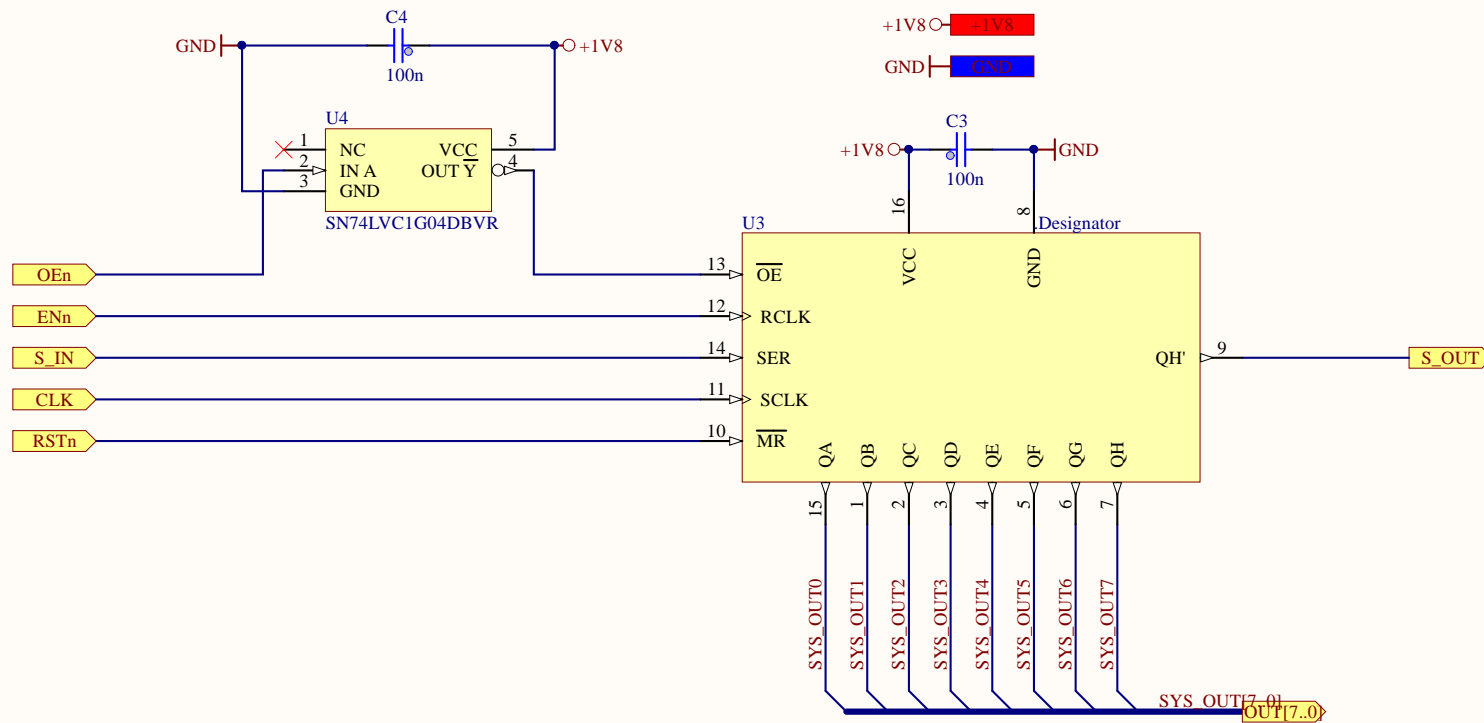
B1		P1		A1	
GND	B1			GND	A1
+12V0	B2			+12V0	A2
+12V0	B3			+12V0	A3
+5V0_PG	B4			MISO_CPU	A4
+3V3_PG	B5			MOSI_CPU	A5
+1V8_PG	B6			SCK	A6
+1V5_PG	B7			SSn	A7
+1V35_PG	B8			SYSRSTn	A8
+1V2_PG	B9			DEVRSTn	A9
+1V15_PG	B10			INTn	A10
GND	B11				A11
GND	B12			GND	A12
SD.RX._P	B13			SD_RSVD.A13	A13
SD.RX._N	B14			SD_RSVD.A14	A14
SD.TX._P	B15			SD_RSVD.A15	A15
SD.TX._N	B16			SD_RSVD.A16	A16
GND	B17			GND	A17
SGMII.TX._N	B18			SMI.MDC	A18
SGMII.TX._P	B19			SMI.MDIO	A19
SGMII.RX._N	B20				A20
SGMII.RX._P	B21				A21
GND	B22			GND	A22
USB2._P	B23			I2C.SCL	A23
USB2._N	B24			I2C.SDA	A24
PCIE.RX._N	B25				A25
PCIE.RX._P	B26				A26
GND	B27			GND	A27
PCIE.TX._N	B28			PCIE_CTRL.RESETn	A28
PCIE.TX._P	B29			PCIE_CTRL.CLKREQ	A29
PCIE.CLK._P	B30				A30
PCIE.CLK._N	B31				A31
GND	B32			GND	A32



Author: Zbyněk Kos & Tomáš Rykl
 Engineer: Zbyněk Kos
 Drawn by: Zbyněk Kos & Tomáš Rykl
 Checked by: Tomáš Rykl
 Approved by: *
<http://www.nic.cz>

Title: **Turrís Mox PCIE - In CN**
 Document Number: CZ32NIC220000-3
 Sheet 3 of 9
 Name: CZ32NIC_SYS_IN_CN.SchDoc

CZ.NIC, z.s.p.o.
 Milešovská 5
 130 00 Praha 3



Author: Zbyněk Kos & Tomáš Rykl
 Engineer: Zbyněk Kos
 Drawn by: Zbyněk Kos & Tomáš Rykl
 Checked by: Tomáš Rykl
 Approved by: *
<http://www.nic.cz>

Title: **Turrus Mox PCIE - Out**
 Document Number: CZ32NIC220000-4
 Sheet 4 of 9
 Name: CZ32NIC_SYS_OUT.schdoc

Revision: 220000
 Date: * *

CZ.NIC, z.s.p.o.
 Milešovská 5
 130 00 Praha 3

A

A

B

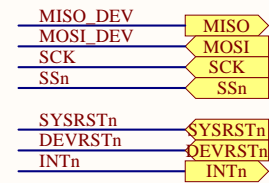
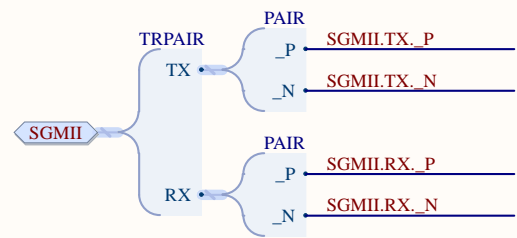
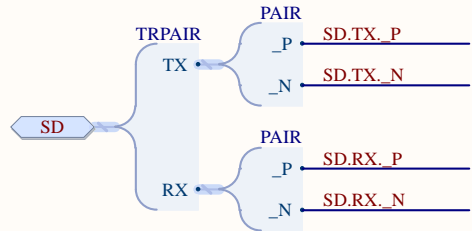
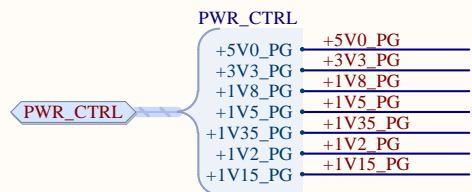
B

C

C

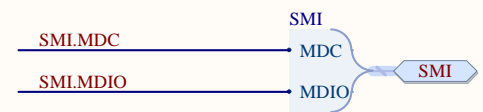
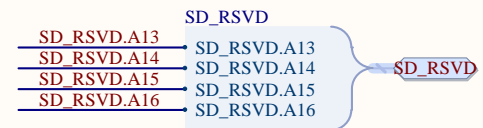
D

D



		P2			
GND	B1	●	●	A1	GND
+12V0	B2	●	●	A2	+12V0
+12V0	B3	●	●	A3	+12V0
+5V0_PG	B4	●	●	A4	MISO_DEV
+3V3_PG	B5	●	●	A5	MOSI_DEV
+1V8_PG	B6	●	●	A6	SCK
+1V5_PG	B7	●	●	A7	SSn
+1V35_PG	B8	●	●	A8	SYSRSTn
+1V2_PG	B9	●	●	A9	DEVRSTn
+1V15_PG	B10	●	●	A10	INTn
GND	B11	●	●	A11	
GND	B12	●	●	A12	GND
SD.RX._P	B13	●	●	A13	SD_RSVD.A13
SD.RX._N	B14	●	●	A14	SD_RSVD.A14
SD.TX._P	B15	●	●	A15	SD_RSVD.A15
SD.TX._N	B16	●	●	A16	SD_RSVD.A16
GND	B17	●	●	A17	GND
SGMII.TX._N	B18	●	●	A18	SMI.MDC
SGMII.TX._P	B19	●	●	A19	SMI.MDIO
SGMII.RX._N	B20	●	●	A20	
SGMII.RX._P	B21	●	●	A21	
GND	B22	●	●	A22	GND
	B23	●	●	A23	I2C.SCL
	B24	●	●	A24	I2C.SDA
	B25	●	●	A25	
	B26	●	●	A26	
GND	B27	●	●	A27	GND
	B28	●	●	A28	
	B29	●	●	A29	
	B30	●	●	A30	
	B31	●	●	A31	
GND	B32	●	●	A32	GND

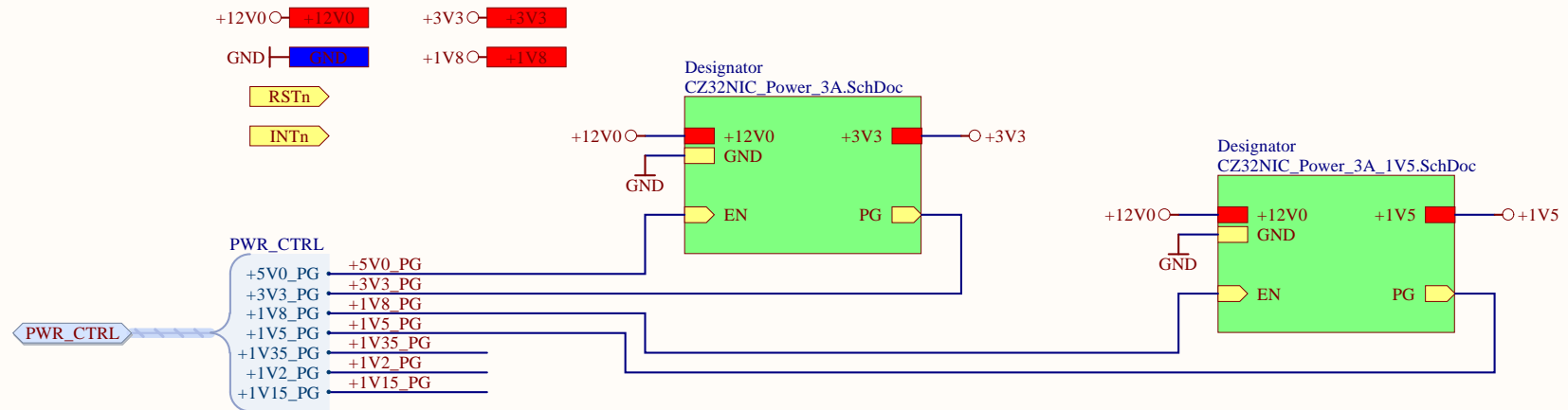
c-6-1734857-5-b-3d



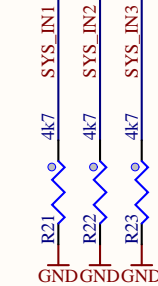
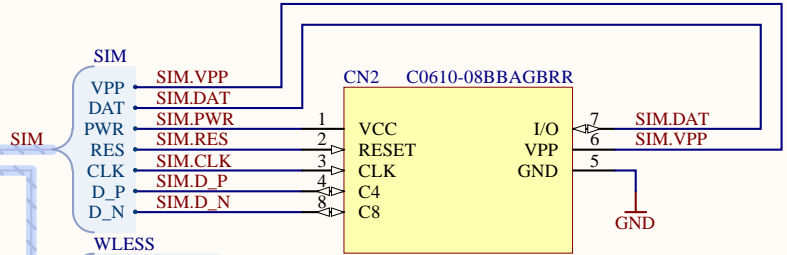
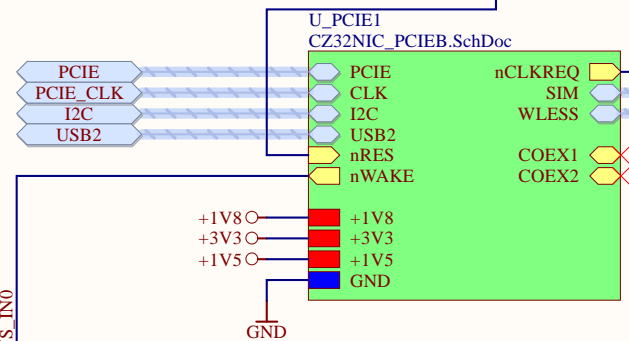
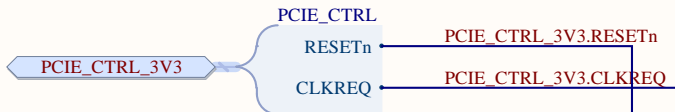
Author: Zbyněk Kos & Tomáš Rykl
 Engineer: Zbyněk Kos
 Drawn by: Zbyněk Kos & Tomáš Rykl
 Checked by: Tomáš Rykl
 Approved by: *
<http://www.nic.cz>

Title: **Turris Mox PCIE - Out CN**
 Document Number: CZ32NIC220000-5
 Sheet 5 of 9
 Name: CZ32NIC_SYS_OUT_CN.SchDoc

CZ.NIC, z.s.p.o.
 Milešovská 5
 130 00 Praha 3



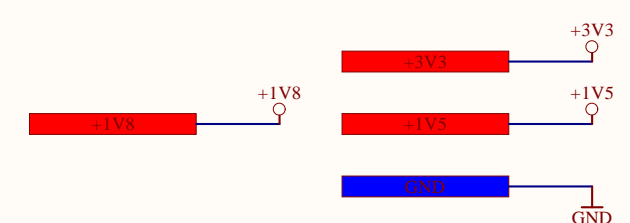
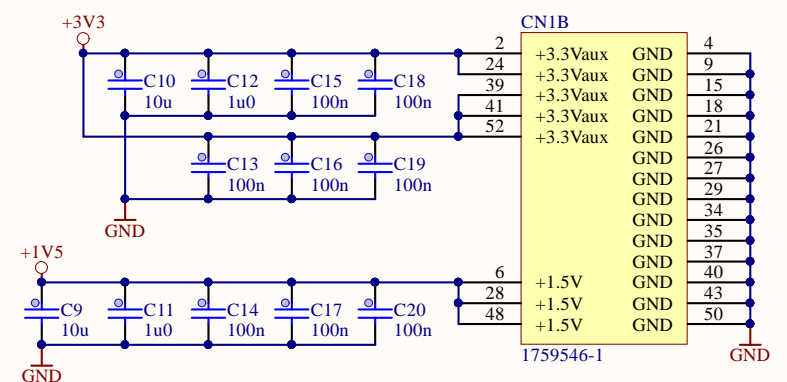
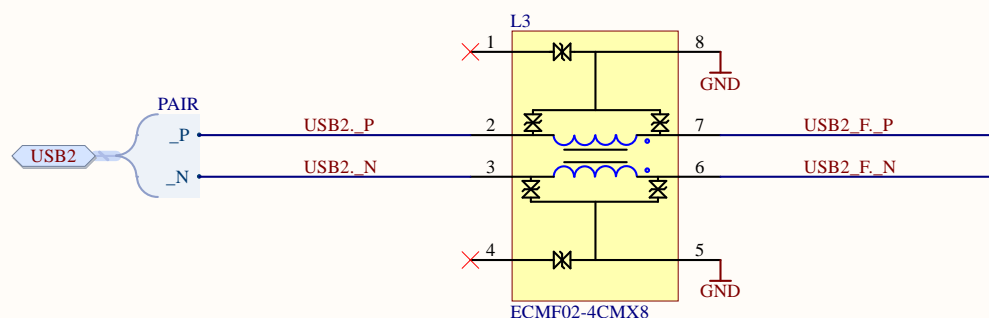
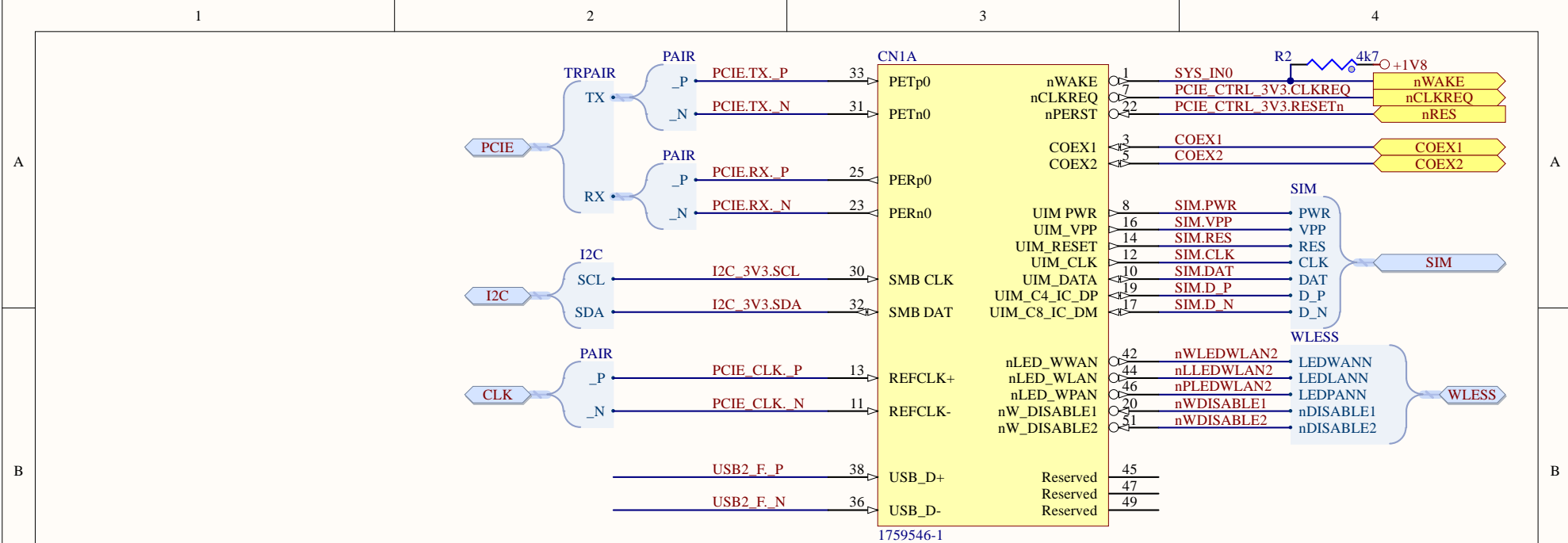
MP1
MP2
miniPCIE Card mount spacers.



Author: Zbyněk Kos & Tomáš Rykl
 Engineer: Zbyněk Kos
 Drawn by: Zbyněk Kos & Tomáš Rykl
 Checked by: Tomáš Rykl
 Approved by: *
<http://www.nic.cz>

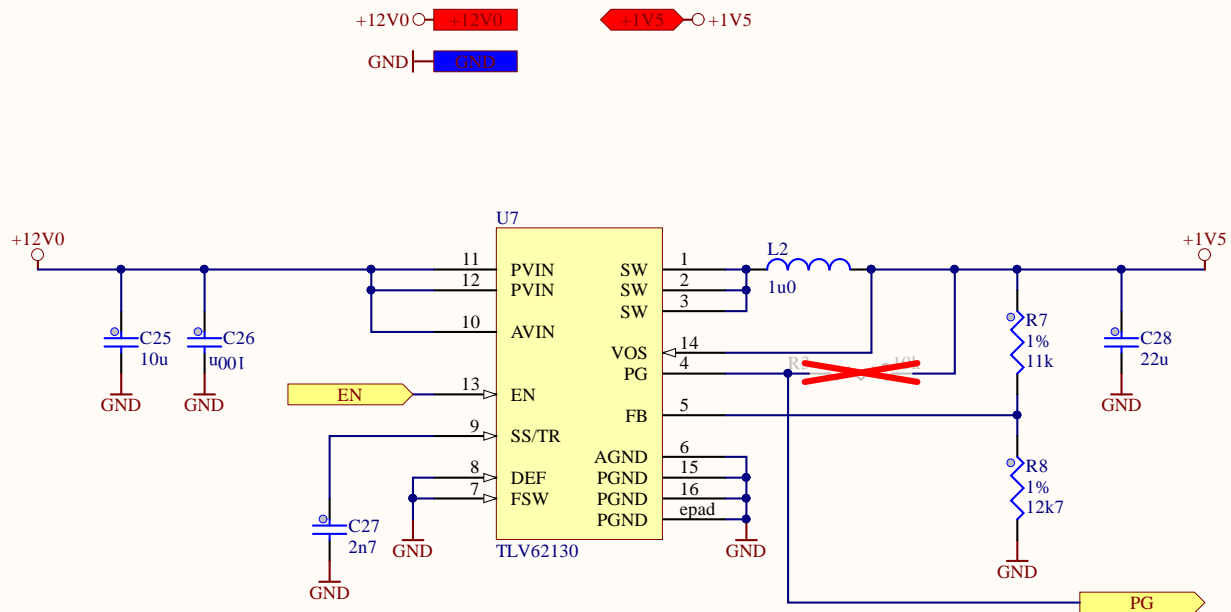
Title: **Turris Mox PCIE - App**
 Document Number: CZ32NIC220000-6
 Sheet 6 of 9
 Name: CZ32NIC_Card_App.schdoc

CZ.NIC, z.s.p.o.
 Milešovská 5
 130 00 Praha 3



Author: Zbyněk Kos & Tomáš Rykl	Title: Turris Mox PCIE - PCIE - Single Slot	CZ.NIC, z.s.p.o. Milešovská 5 130 00 Praha 3
Engineer: Zbyněk Kos & Tomáš Rykl	Document Number: CZ32NIC220000-7	Revision: 220000
Drawn by: Zbyněk Kos	Sheet 7 of 9	Date: * *
Checked by: Tomáš Rykl	Name: CZ32NIC_PCIEB.SchDoc	
Approved by: *		
http://www.nic.cz		

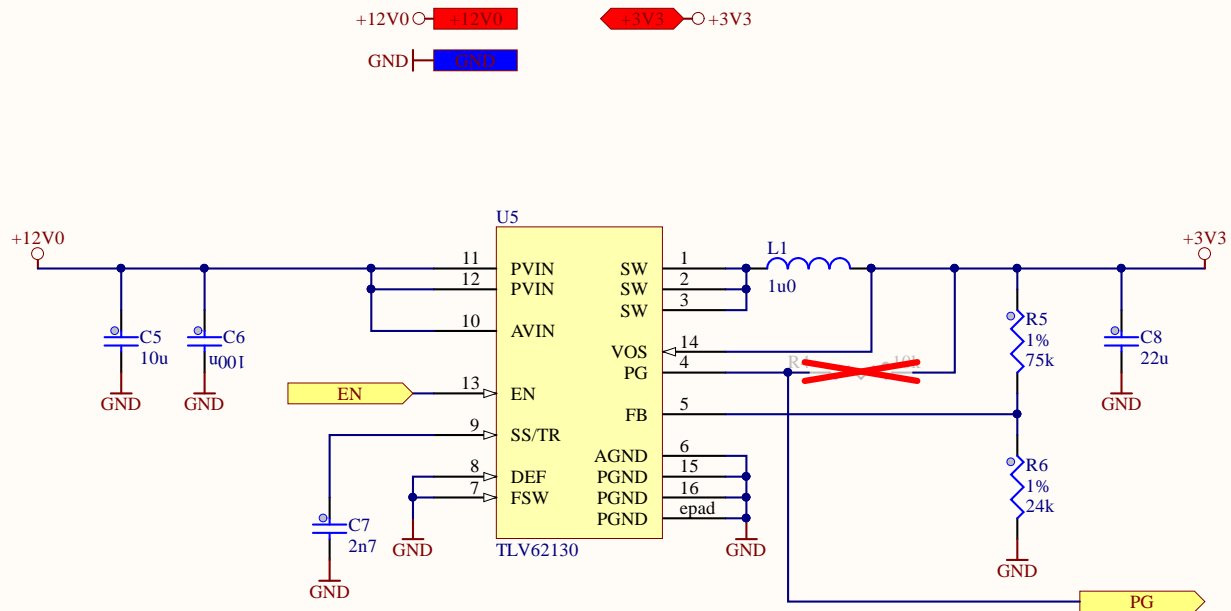




Author: Zbyněk Kos & Tomáš Rykl
 Engineer: Zbyněk Kos
 Drawn by: Zbyněk Kos & Tomáš Rykl
 Checked by: Tomáš Rykl
 Approved by: *
<http://www.nic.cz>

Title: **Turris Mox PCIE - Power 3A**
 Document Number: CZ32NIC220000-8
 Sheet 8 of 9
 Name: CZ32NIC_Power_3A_1V5.SchDoc
 Revision: 220000
 Date: * *

CZ.NIC, z.s.p.o.
 Milešovská 5
 130 00 Praha 3



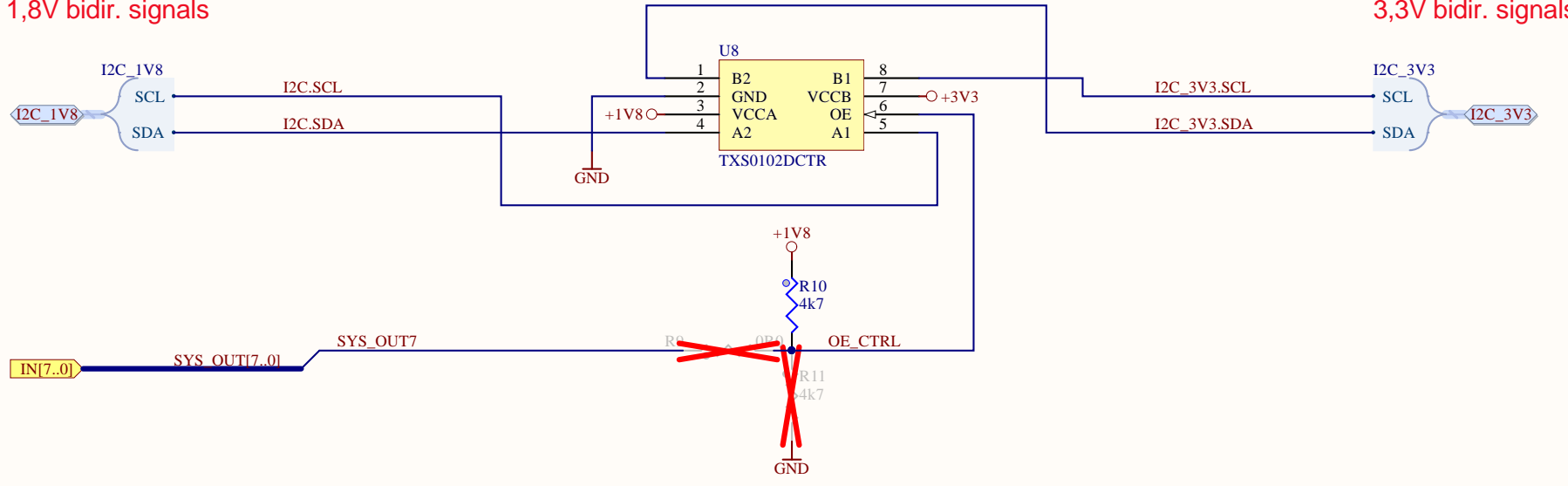
Author: Zbyněk Kos & Tomáš Rykl
 Engineer: Zbyněk Kos
 Drawn by: Zbyněk Kos & Tomáš Rykl
 Checked by: Tomáš Rykl
 Approved by: *
<http://www.nic.cz>

Title: **Turris Mox PCIE - Power 3A**
 Document Number: CZ32NIC220000-8
 Sheet 8 of 9
 Name: CZ32NIC_Power_3A.SchDoc
 Revision: 220000
 Date: * *

CZ.NIC, z.s.p.o.
 Milešovská 5
 130 00 Praha 3

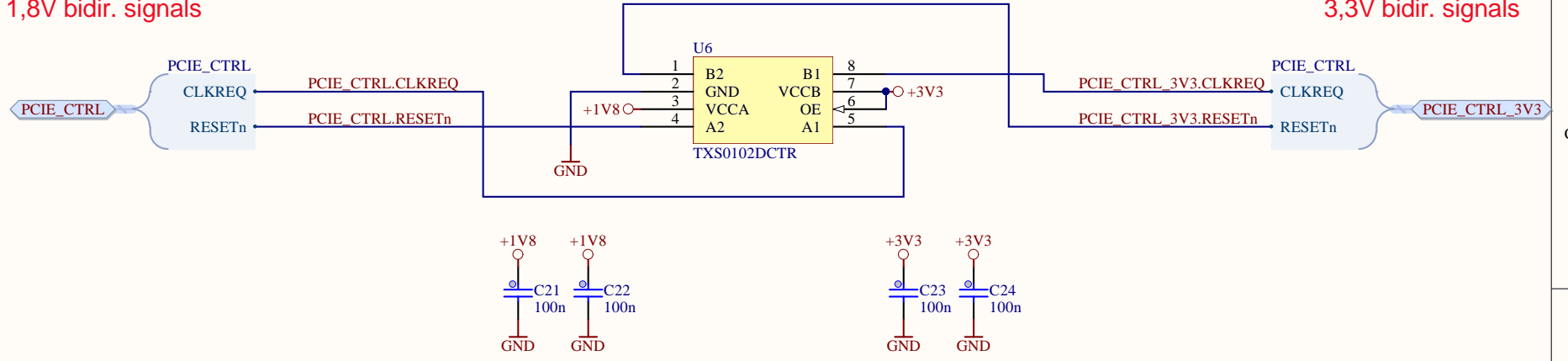
1,8V bidir. signals

3,3V bidir. signals



1,8V bidir. signals

3,3V bidir. signals



Author: Zbyněk Kos & Tomáš Rykl
 Engineer: Zbyněk Kos
 Drawn by: Zbyněk Kos & Tomáš Rykl
 Checked by: Tomáš Rykl
 Approved by: *
<http://www.nic.cz>

Title: **Turris Mox PCIE - Level Shifters**
 Document Number: CZ32NIC220000-9
 Sheet 9 of 9
 Name: CZ32NIC_LEVEL_SH.schdoc

CZ.NIC, z.s.p.o.
 Milešovská 5
 130 00 Praha 3