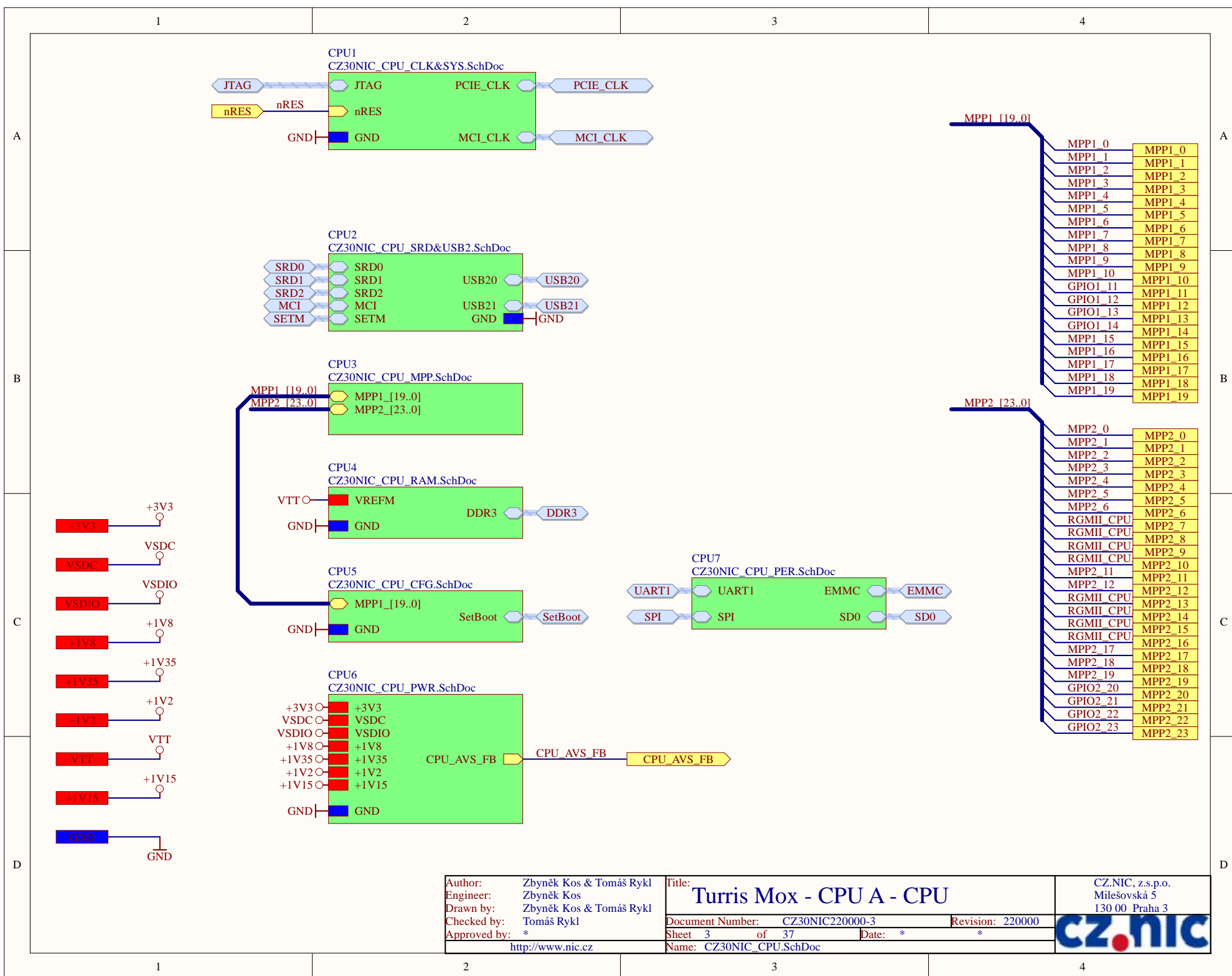


Author: Zbyněk Kos & Tomáš Rykl  
 Engineer: Zbyněk Kos  
 Drawn by: Zbyněk Kos & Tomáš Rykl  
 Checked by: Tomáš Rykl  
 Approved by: \*  
<http://www.nic.cz>

Title: **Turrís Mox - CPU A - CC**  
 Document Number: CZ30NIC220000-2  
 Sheet 2 of 37  
 Name: CZ30NIC\_CC.SchDoc  
 Revision: 220000  
 Date: \* \*

CZ.NIC, z.s.p.o.  
 Milešovská 5  
 130 00 Praha 3



Author: Zbyněk Kos & Tomáš Rykl  
 Engineer: Zbyněk Kos  
 Drawn by: Zbyněk Kos & Tomáš Rykl  
 Checked by: Tomáš Rykl  
 Approved by: \*  
<http://www.nic.cz>

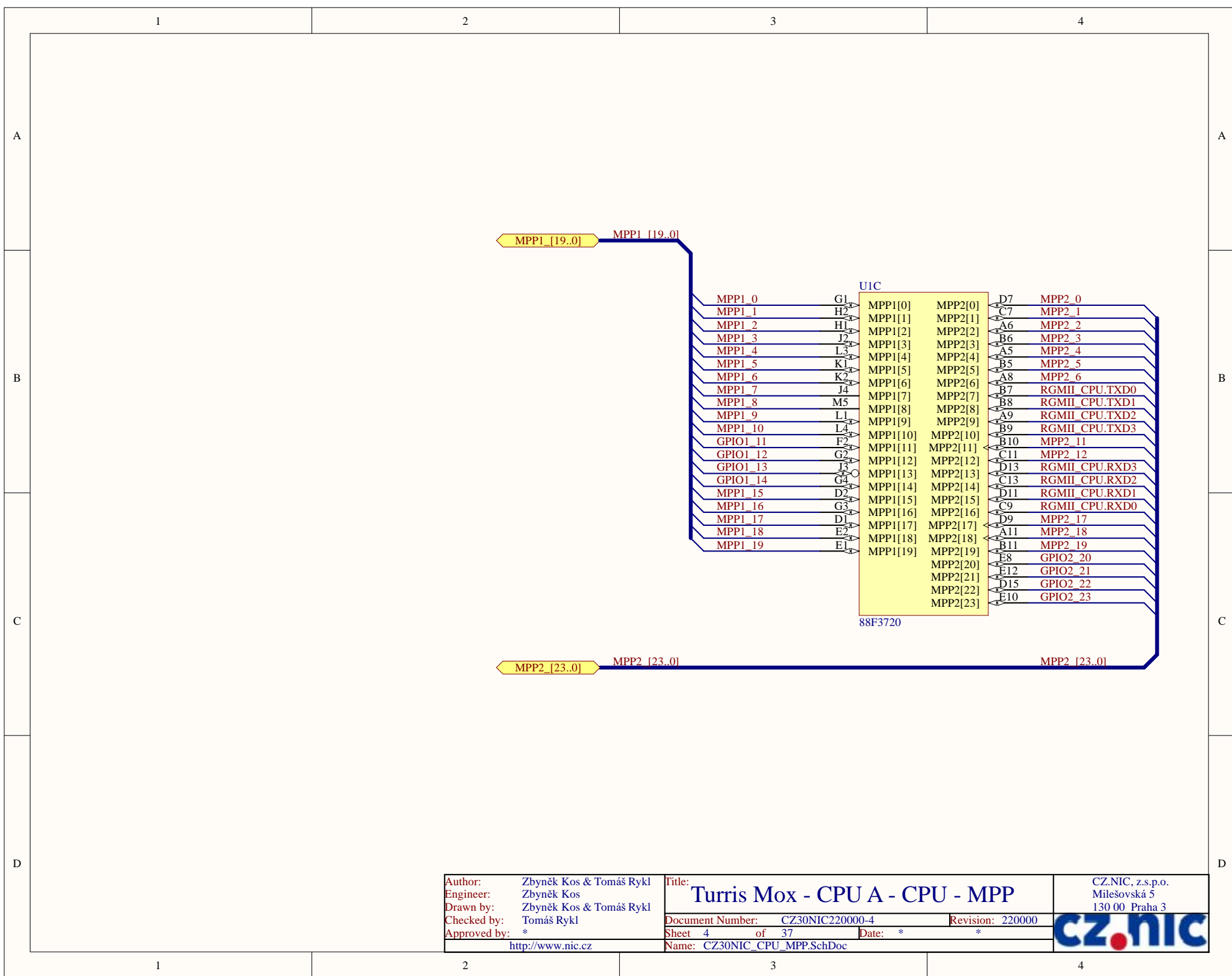
Title: **Turris Mox - CPU A - CPU**  
 Document Number: CZ30NIC220000-3  
 Sheet 3 of 37  
 Name: CZ30NIC\_CPU.SchDoc

Revision: 220000

Date: \* \*

CZ.NIC, z.s.p.o.  
 Milešovská 5  
 130 00 Praha 3

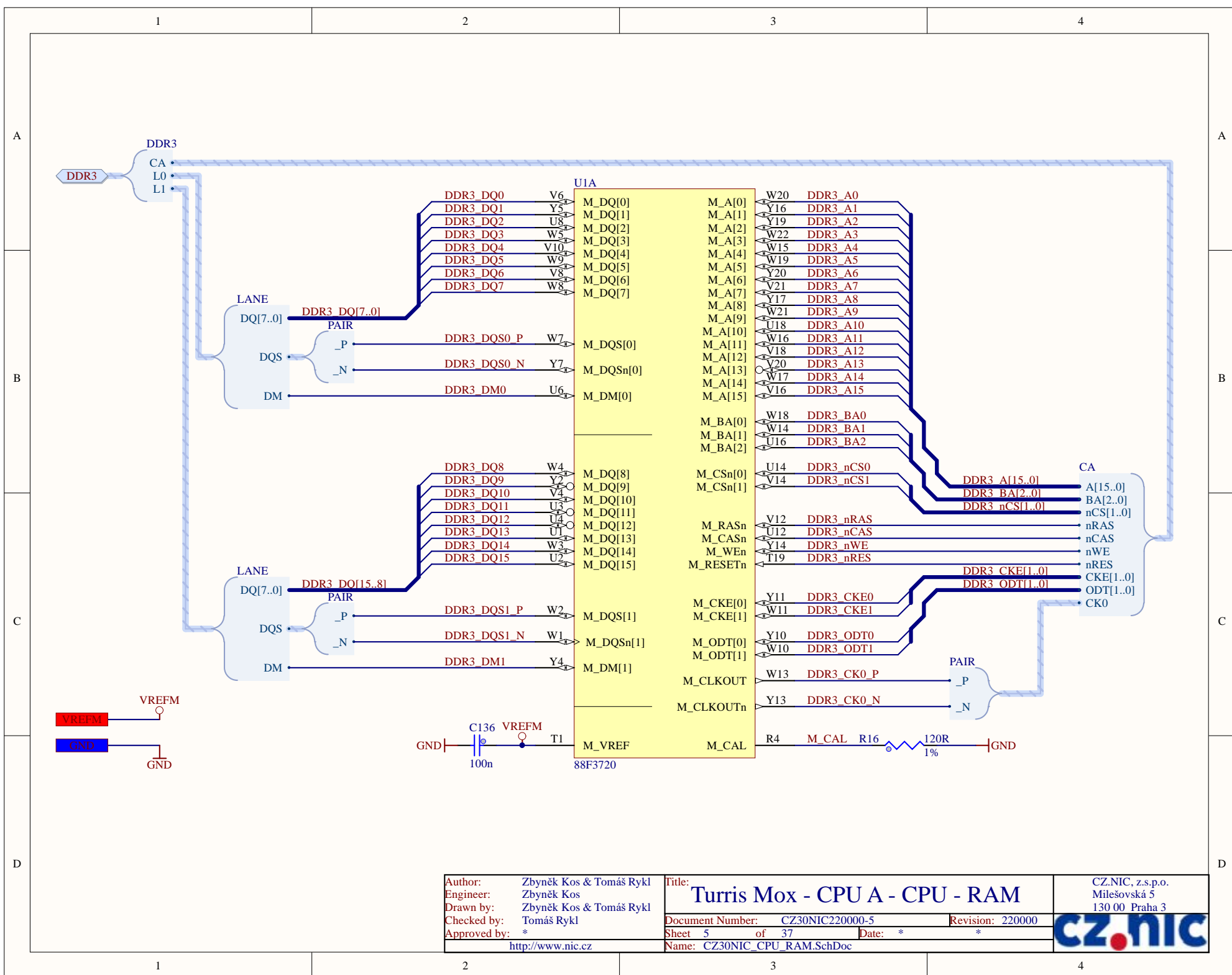




Author: Zbyněk Kos & Tomáš Rykl  
 Engineer: Zbyněk Kos  
 Drawn by: Zbyněk Kos & Tomáš Rykl  
 Checked by: Tomáš Rykl  
 Approved by: \*  
<http://www.nic.cz>

Title: **Turris Mox - CPU A - CPU - MPP**  
 Document Number: CZ30NIC220000-4  
 Sheet 4 of 37  
 Name: CZ30NIC\_CPU\_MPP.SchDoc  
 Revision: 220000  
 Date: \* \*

CZ.NIC, z.s.p.o.  
 Milešovská 5  
 130 00 Praha 3  

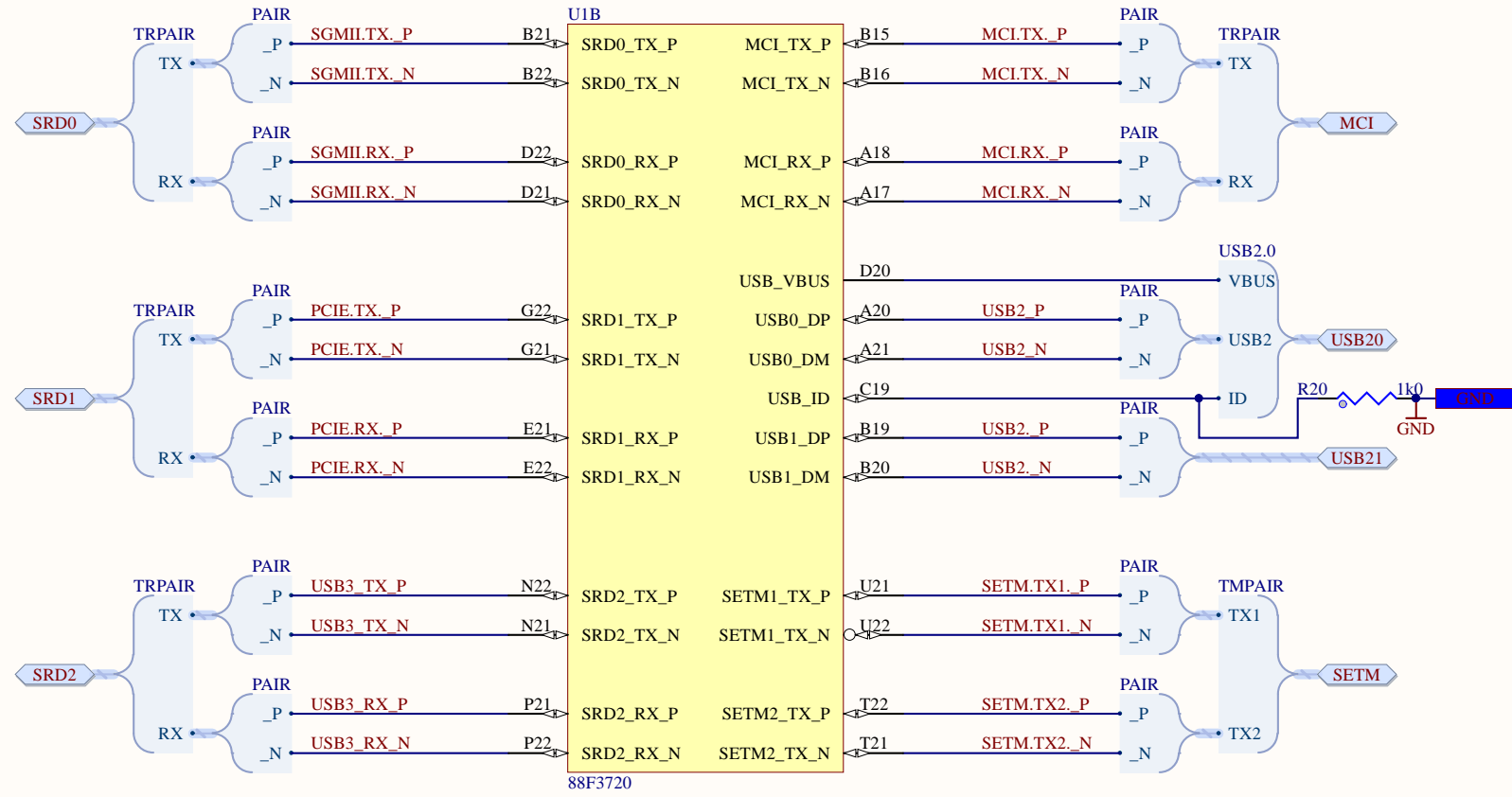



Author: Zbyněk Kos & Tomáš Rykl  
 Engineer: Zbyněk Kos  
 Drawn by: Zbyněk Kos & Tomáš Rykl  
 Checked by: Tomáš Rykl  
 Approved by: \*  
<http://www.nic.cz>

Title: **Turris Mox - CPU A - CPU - RAM**  
 Document Number: CZ30NIC220000-5  
 Sheet 5 of 37  
 Name: CZ30NIC\_CPU\_RAM.SchDoc

CZ.NIC, z.s.p.o.  
 Milešovská 5  
 130 00 Praha 3  


Revision: 220000  
 Date: \* \* \*



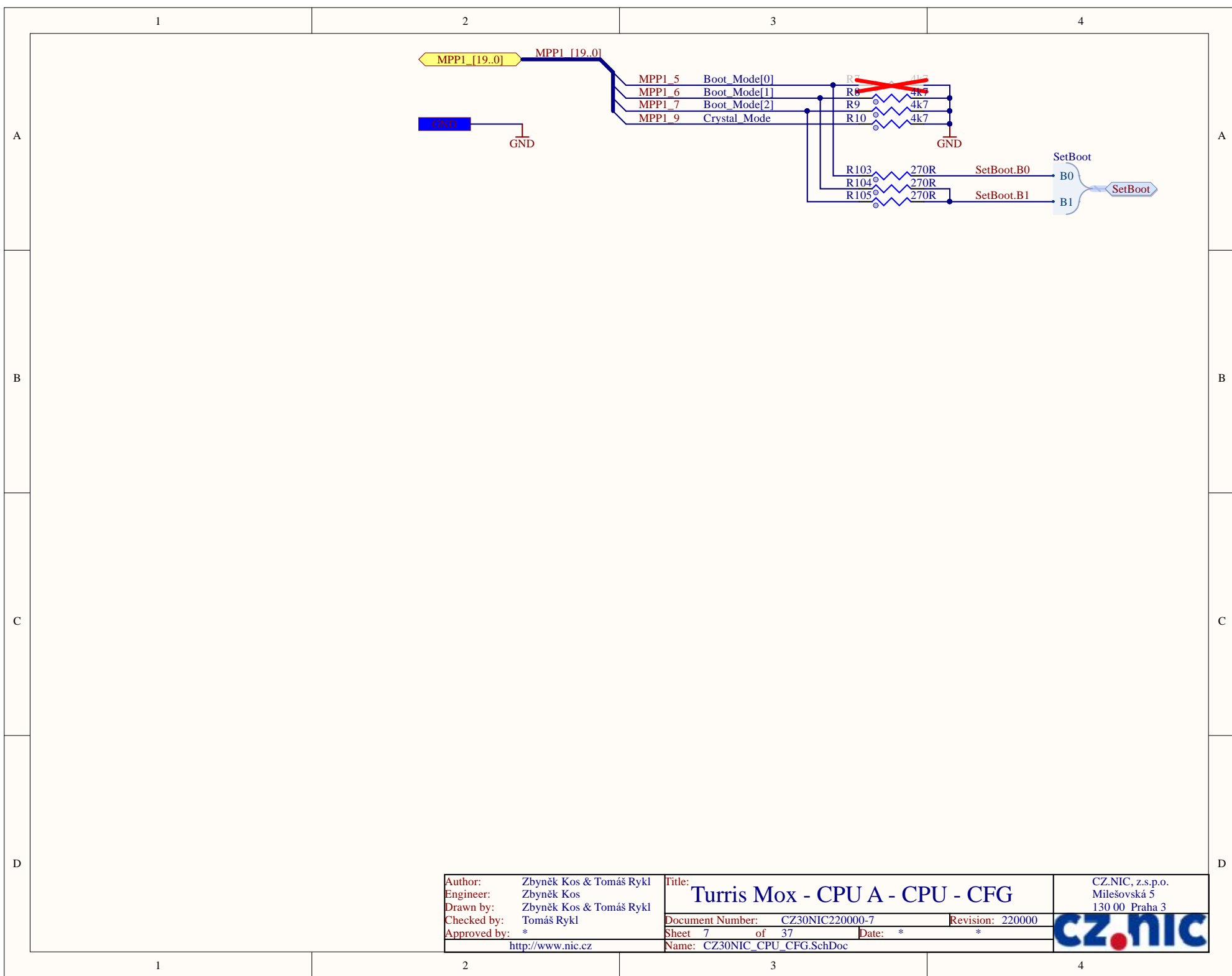
88F3720

Author: Zbyněk Kos & Tomáš Rykl  
 Engineer: Zbyněk Kos  
 Drawn by: Zbyněk Kos & Tomáš Rykl  
 Checked by: Tomáš Rykl  
 Approved by: \*  
<http://www.nic.cz>

Title: **Turris Mox - CPU A - CPU - SRD&USB2**  
 Document Number: CZ30NIC220000-6  
 Sheet 6 of 37  
 Name: CZ30NIC\_CPU\_SRD&USB2.SchDoc

CZ.NIC, z.s.p.o.  
 Milešovská 5  
 130 00 Praha 3

Revision: 220000  
 Date: \* \*

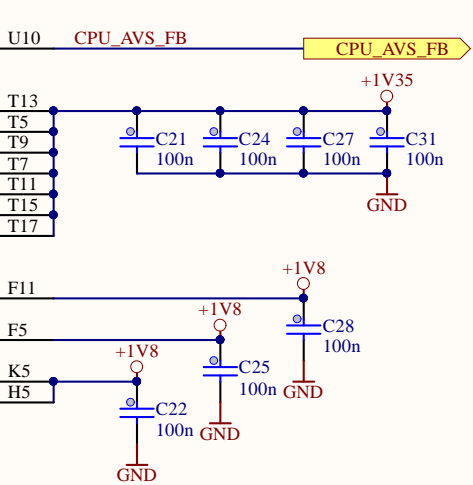
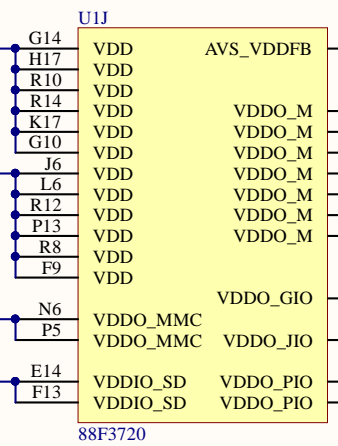
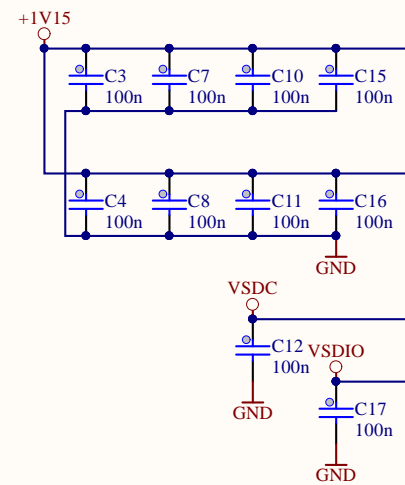
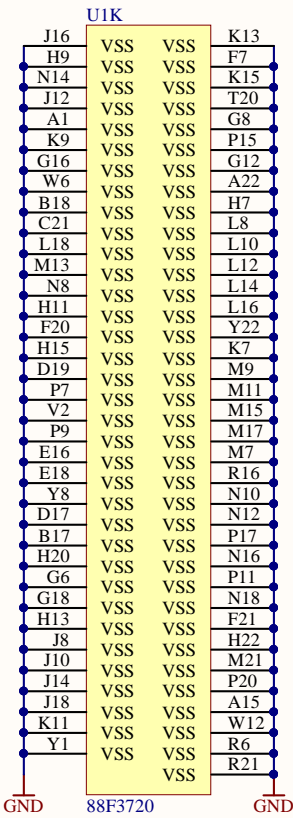
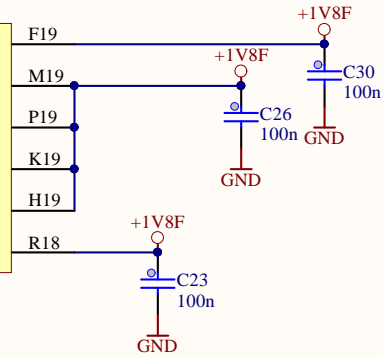
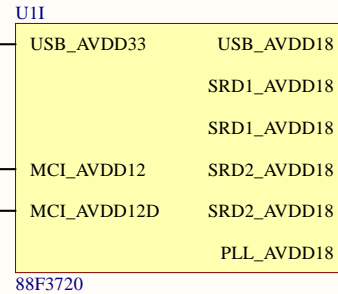
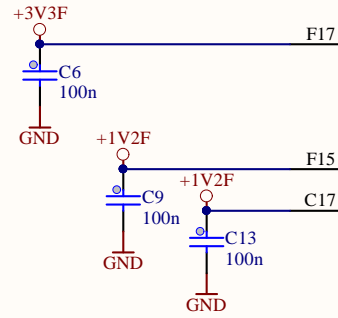
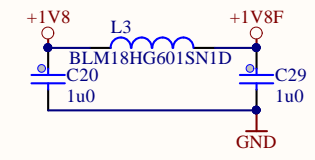
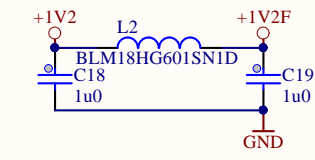
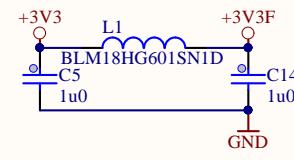
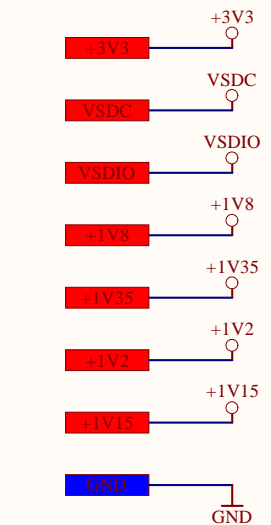


Author: Zbyněk Kos & Tomáš Rykl  
 Engineer: Zbyněk Kos  
 Drawn by: Zbyněk Kos & Tomáš Rykl  
 Checked by: Tomáš Rykl  
 Approved by: \*  
<http://www.nic.cz>

Title: **Turris Mox - CPU A - CPU - CFG**  
 Document Number: CZ30NIC220000-7 Revision: 220000  
 Sheet 7 of 37 Date: \* \*  
 Name: CZ30NIC\_CPU\_CFG.SchDoc

CZ.NIC, z.s.p.o.  
 Milešovská 5  
 130 00 Praha 3



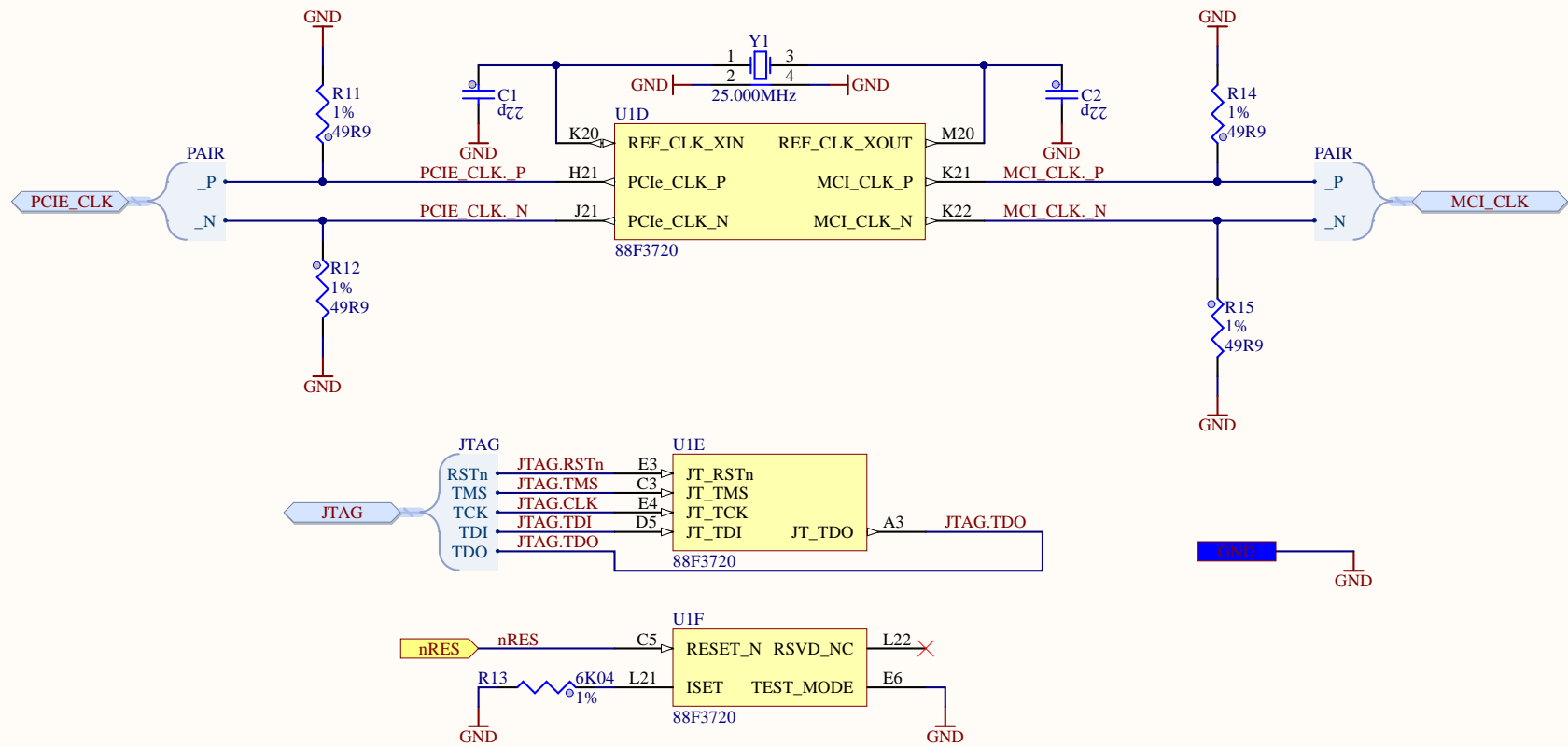


Author: Zbyněk Kos & Tomáš Rykl  
 Engineer: Zbyněk Kos  
 Drawn by: Zbyněk Kos & Tomáš Rykl  
 Checked by: Tomáš Rykl  
 Approved by: \*  
<http://www.nic.cz>

Title: **Turris Mox - CPU A - CPU - PWR**  
 Document Number: CZ30NIC220000-8  
 Sheet 8 of 37  
 Name: CZ30NIC\_CPU\_PWR.SchDoc

CZ.NIC, z.s.p.o.  
 Milešovská 5  
 130 00 Praha 3



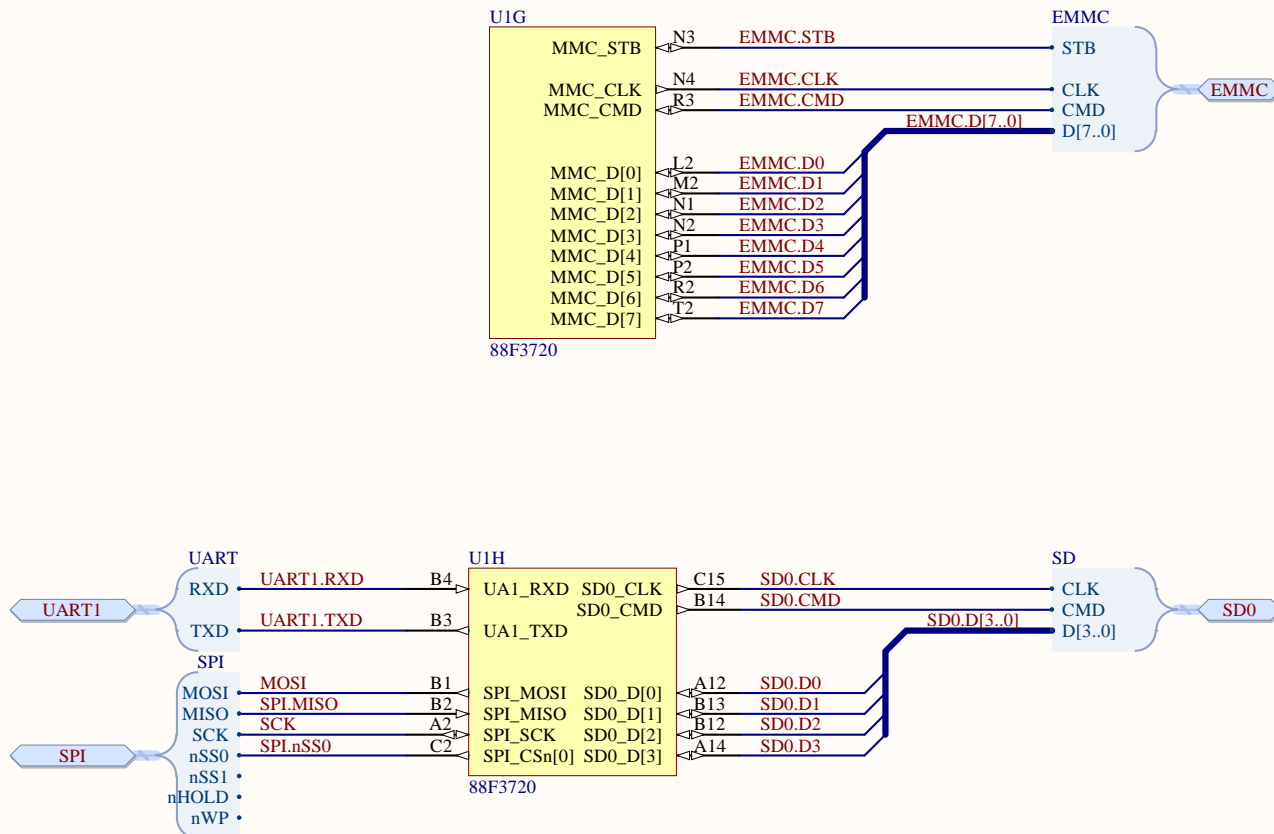


Author: Zbyněk Kos & Tomáš Rykl  
 Engineer: Zbyněk Kos  
 Drawn by: Zbyněk Kos & Tomáš Rykl  
 Checked by: Tomáš Rykl  
 Approved by: \*  
<http://www.nic.cz>

Title: **Turris Mox - CPU A - CPU - CLK&SYS**  
 Document Number: CZ30NIC220000-9  
 Sheet 9 of 37  
 Name: CZ30NIC\_CPU\_CLK&SYS.SchDoc

CZ.NIC, z.s.p.o.  
 Milešovská 5  
 130 00 Praha 3

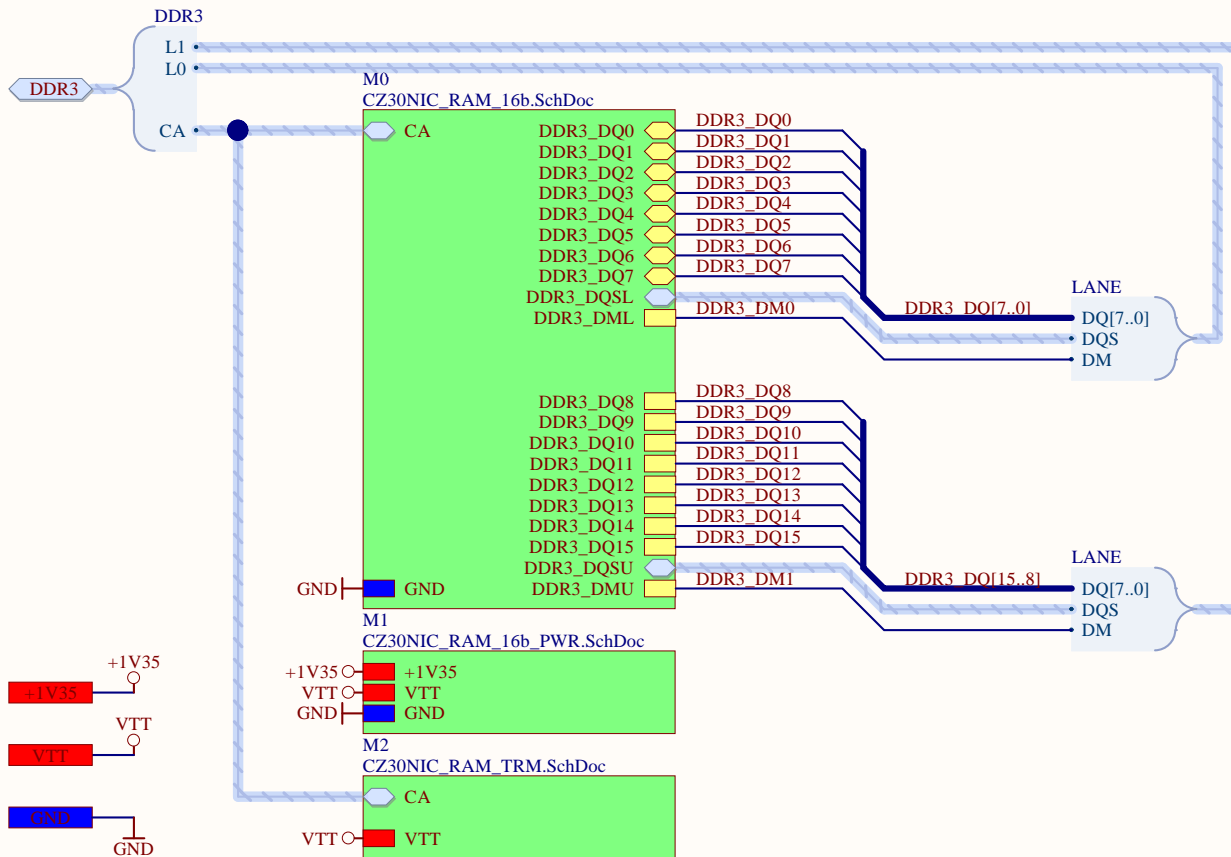




Author: Zbyněk Kos & Tomáš Rykl  
 Engineer: Zbyněk Kos  
 Drawn by: Zbyněk Kos & Tomáš Rykl  
 Checked by: Tomáš Rykl  
 Approved by: \*  
<http://www.nic.cz>

Title: **Turris Mox - CPU A - CPU - PER**  
 Document Number: CZ30NIC220000-10 Revision: 220000  
 Sheet 10 of 37 Date: \* \*  
 Name: CZ30NIC\_CPU\_PER.SchDoc

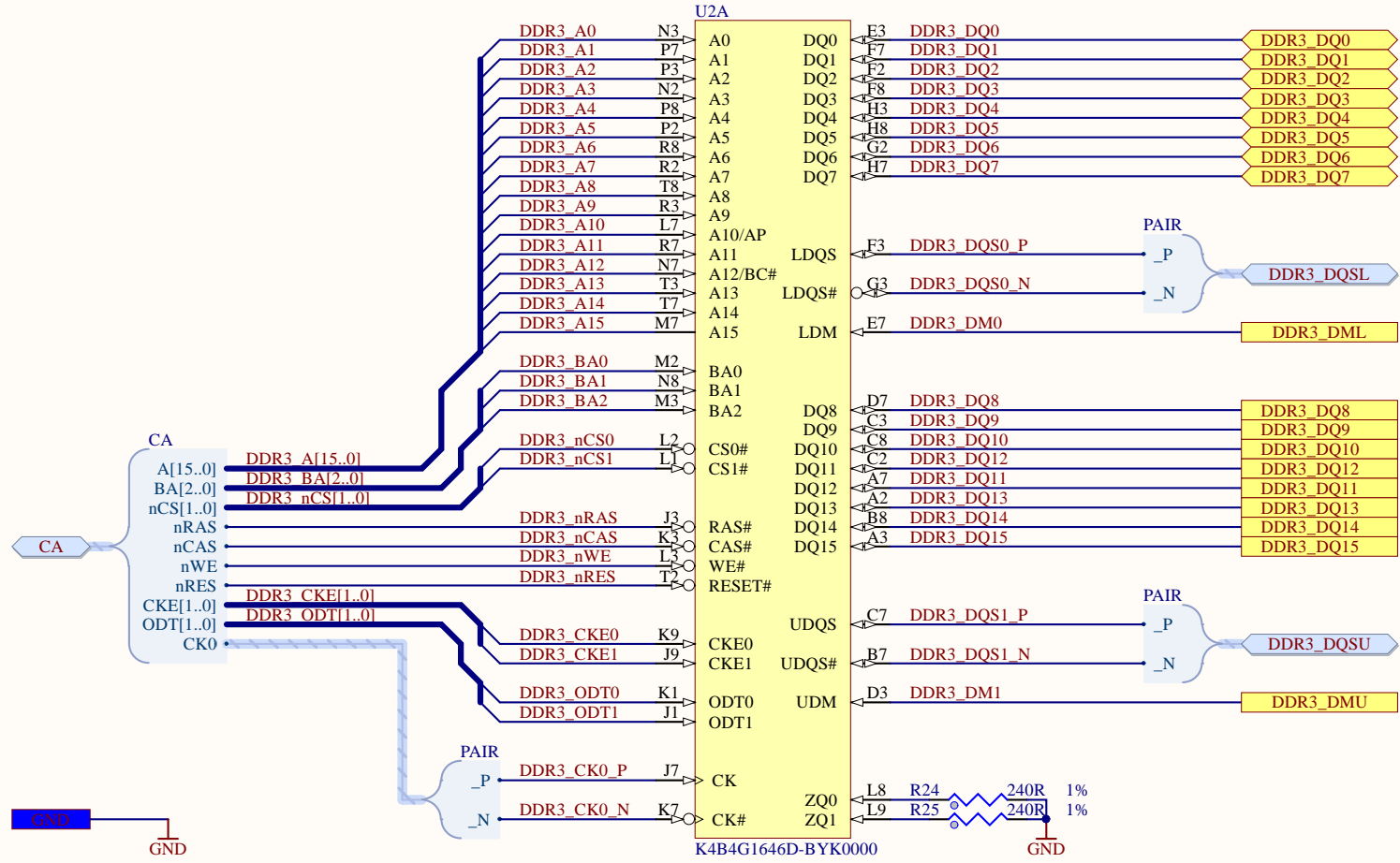
CZ.NIC, z.s.p.o.  
 Milešovská 5  
 130 00 Praha 3



Author: Zbyněk Kos & Tomáš Rykl  
 Engineer: Zbyněk Kos  
 Drawn by: Zbyněk Kos & Tomáš Rykl  
 Checked by: Tomáš Rykl  
 Approved by: \*  
<http://www.nic.cz>

Title: **Turris Mox - CPU A - RAM**  
 Document Number: CZ30NIC220000-11 Revision: 220000  
 Sheet 11 of 37 Date: \* \*  
 Name: CZ30NIC\_RAM.SchDoc

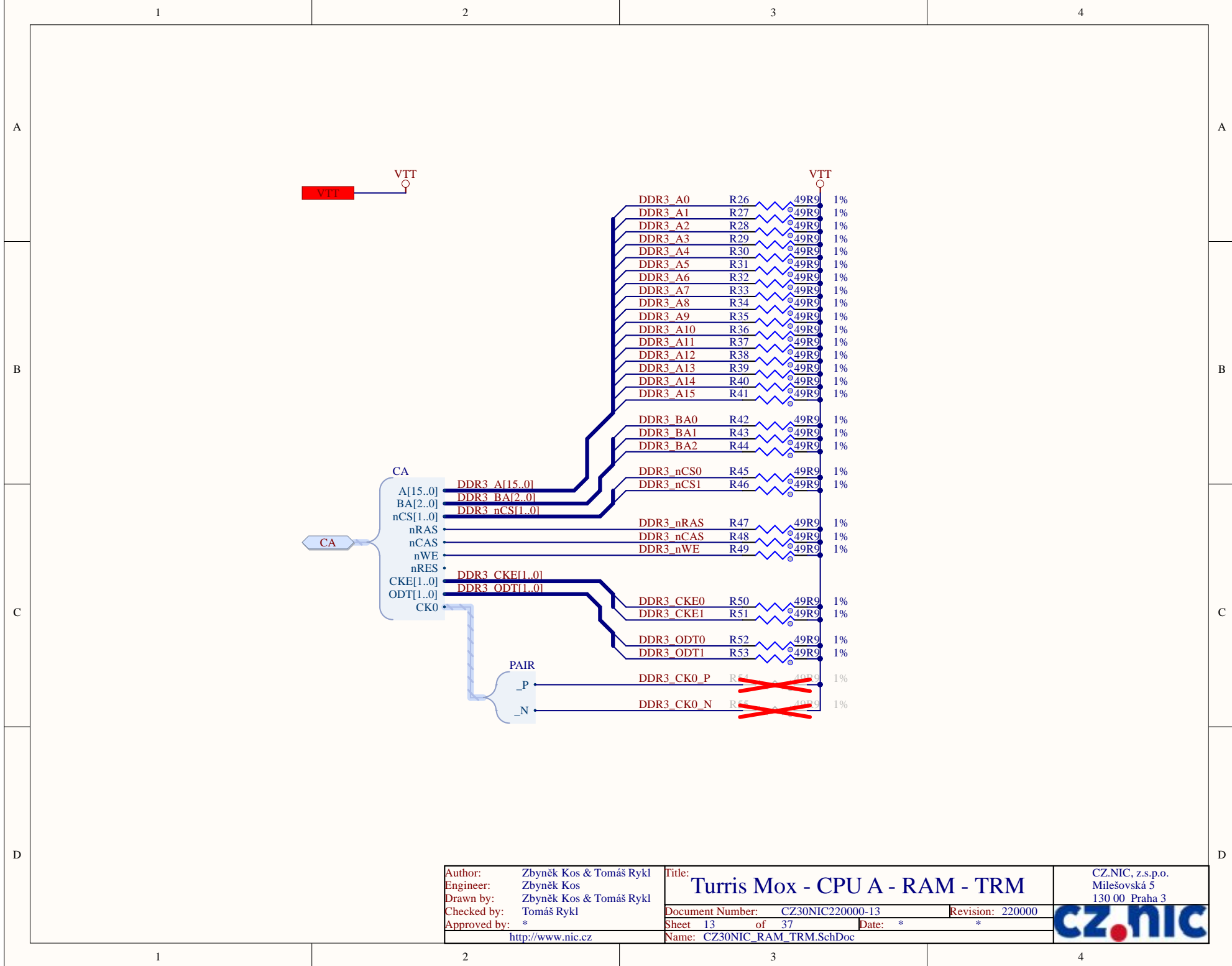
CZ.NIC, z.s.p.o.  
 Milešovská 5  
 130 00 Praha 3  

Author: Zbyněk Kos & Tomáš Rykl  
 Engineer: Zbyněk Kos  
 Drawn by: Zbyněk Kos & Tomáš Rykl  
 Checked by: Tomáš Rykl  
 Approved by: \*  
<http://www.nic.cz>

Title: **Turris Mox - CPU A - RAM - 16b**  
 Document Number: CZ30NIC220000-12  
 Sheet 12 of 37  
 Name: CZ30NIC\_RAM\_16b.SchDoc

CZ.NIC, z.s.p.o.  
 Milešovská 5  
 130 00 Praha 3



Author: Zbyněk Kos & Tomáš Rykl  
 Engineer: Zbyněk Kos  
 Drawn by: Zbyněk Kos & Tomáš Rykl  
 Checked by: Tomáš Rykl  
 Approved by: \*  
<http://www.nic.cz>

Title: **Turris Mox - CPU A - RAM - TRM**  
 Document Number: CZ30NIC220000-13  
 Sheet 13 of 37  
 Name: CZ30NIC\_RAM\_TRM.SchDoc

CZ.NIC, z.s.p.o.  
 Milešovská 5  
 130 00 Praha 3  


1

2

3

4

A

A

B

B

C

C

D

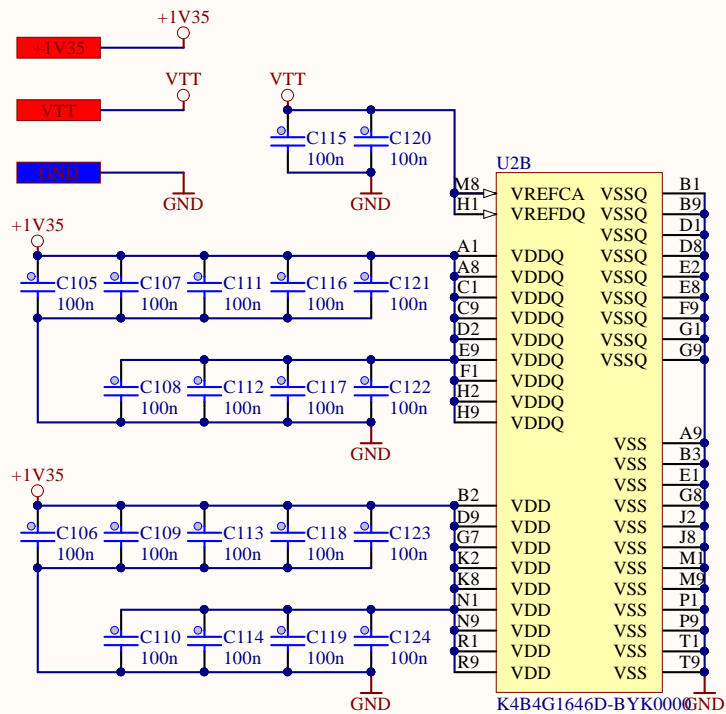
D

1

2

3

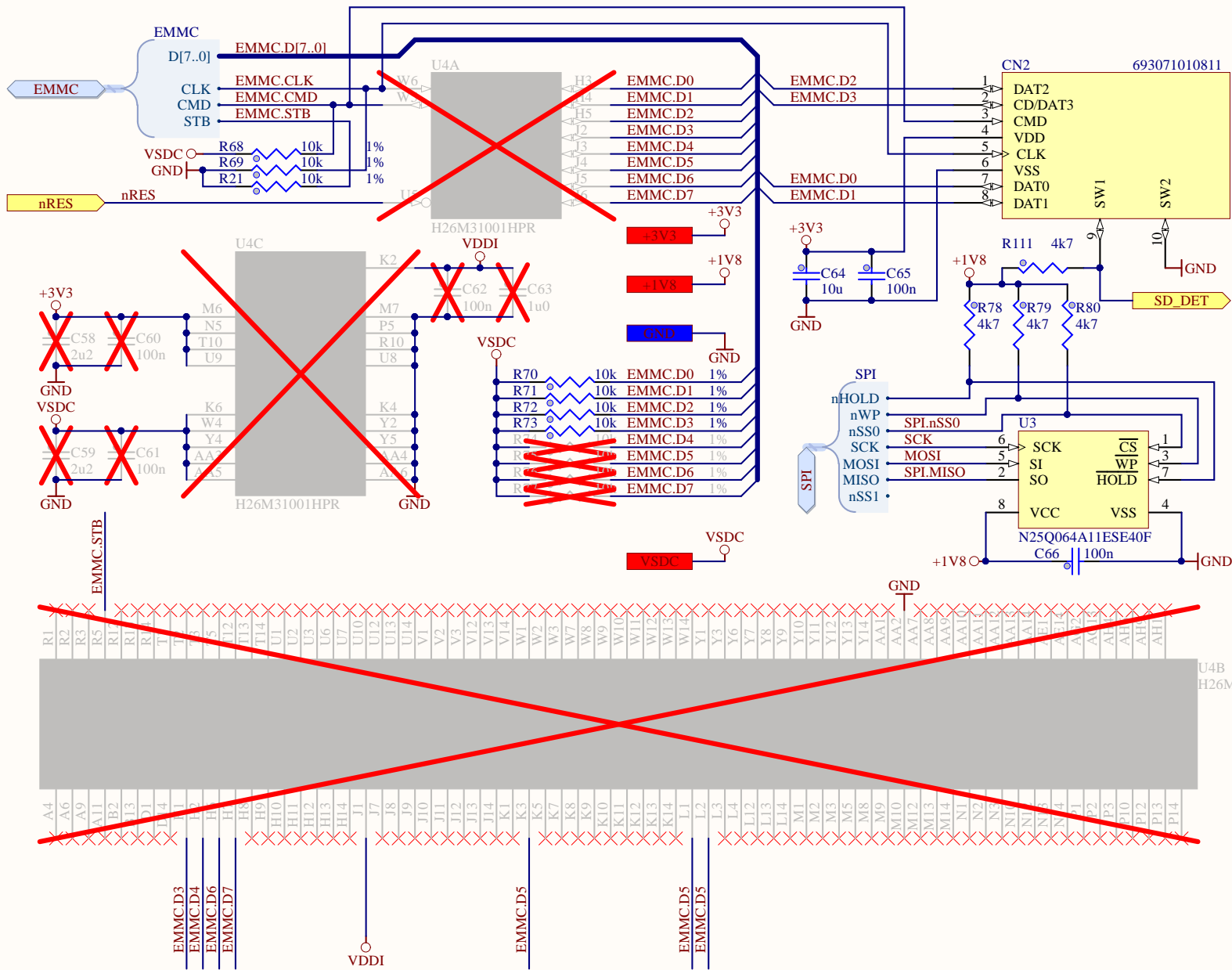
4



Author: Zbyněk Kos & Tomáš Rykl  
 Engineer: Zbyněk Kos  
 Drawn by: Zbyněk Kos & Tomáš Rykl  
 Checked by: Tomáš Rykl  
 Approved by: \*  
<http://www.nic.cz>

Title: **Turris Mox - CPU A - RAM - 16b - PWR**  
 Document Number: CZ30NIC220000-14  
 Sheet 14 of 37  
 Name: CZ30NIC\_RAM\_16b\_PWR.SchDoc

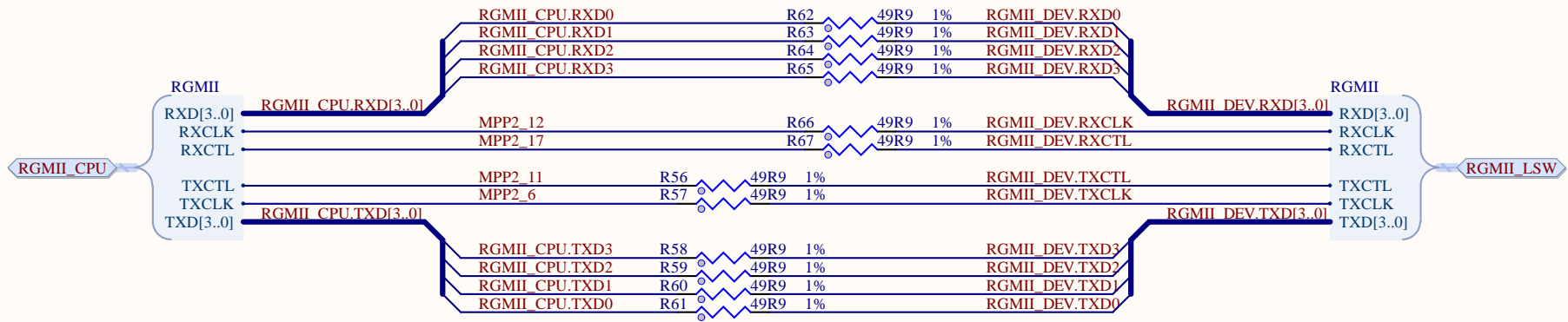
CZ.NIC, z.s.p.o.  
 Milešovská 5  
 130 00 Praha 3



Author: Zbyněk Kos & Tomáš Rykl  
 Engineer: Zbyněk Kos  
 Drawn by: Zbyněk Kos & Tomáš Rykl  
 Checked by: Tomáš Rykl  
 Approved by: \*  
<http://www.nic.cz>

Title: **Turris Mox - CPU A - ROM**  
 Document Number: CZ30NIC220000-15  
 Sheet 15 of 37  
 Name: CZ30NIC\_ROM.SchDoc  
 Revision: 220000  
 Date: \* \*

CZ.NIC, z.s.p.o.  
 Milešovská 5  
 130 00 Praha 3



Author: Zbyněk Kos & Tomáš Rykl  
 Engineer: Zbyněk Kos  
 Drawn by: Zbyněk Kos & Tomáš Rykl  
 Checked by: Tomáš Rykl  
 Approved by: \*  
<http://www.nic.cz>

Title: **Turris Mox - CPU A - RGMII TRM**  
 Document Number: CZ30NIC220000-16 Revision: 220000  
 Sheet 16 of 37 Date: \* \*  
 Name: CZ30NIC\_RGMII\_TRM.SchDoc

CZ.NIC, z.s.p.o.  
 Milešovská 5  
 130 00 Praha 3  




A

A

B

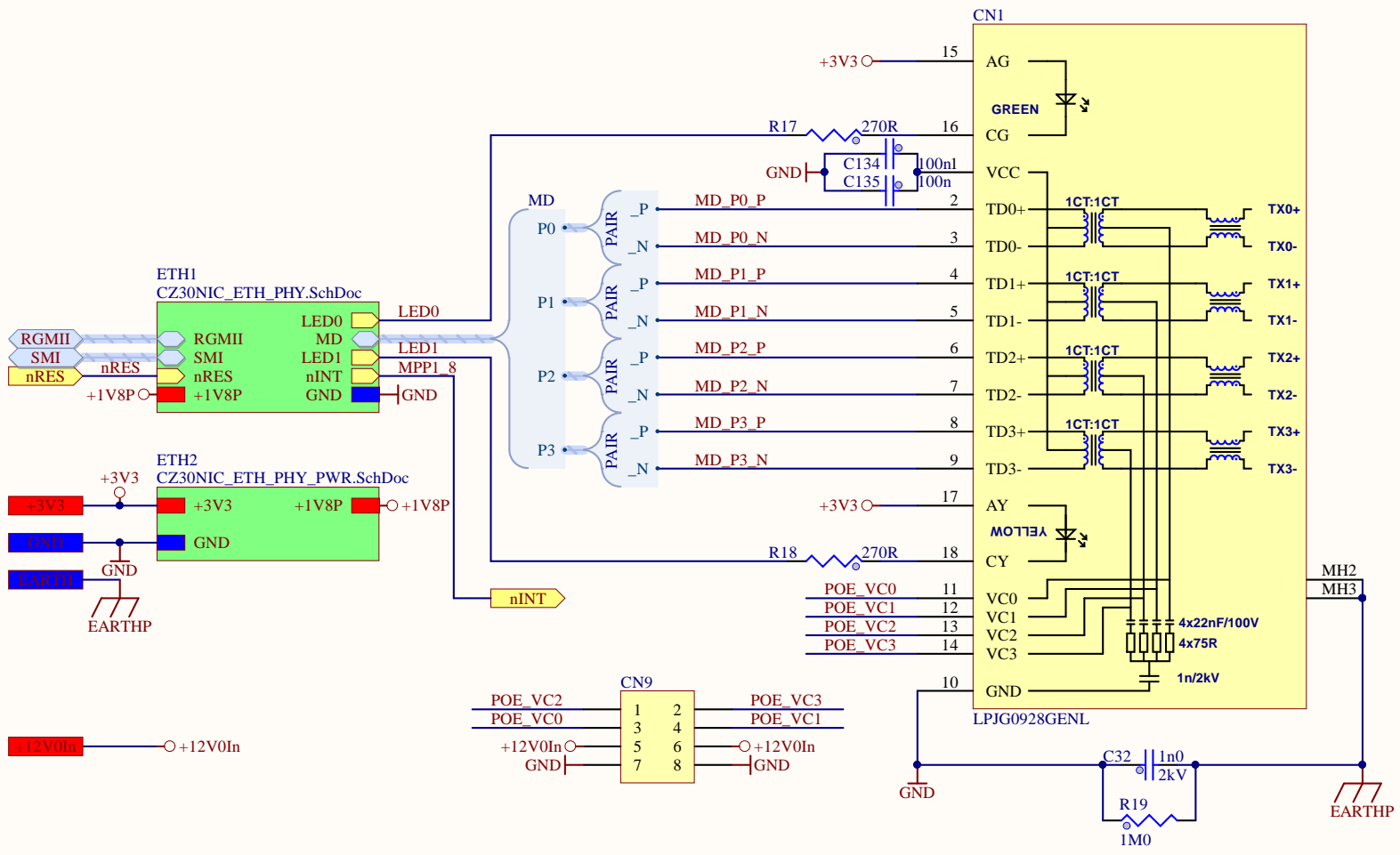
B

C

C

D

D



Author: Zbyněk Kos & Tomáš Rykl  
 Engineer: Zbyněk Kos  
 Drawn by: Zbyněk Kos & Tomáš Rykl  
 Checked by: Tomáš Rykl  
 Approved by: \*  
<http://www.nic.cz>

Title: **Turris Mox - CPU A - ETH**  
 Document Number: CZ30NIC220000-17  
 Sheet 17 of 37  
 Name: CZ30NIC\_ETH.SchDoc  
 Revision: 220000  
 Date: \* \*

CZ.NIC, z.s.p.o.  
 Milešovská 5  
 130 00 Praha 3

A

A

B

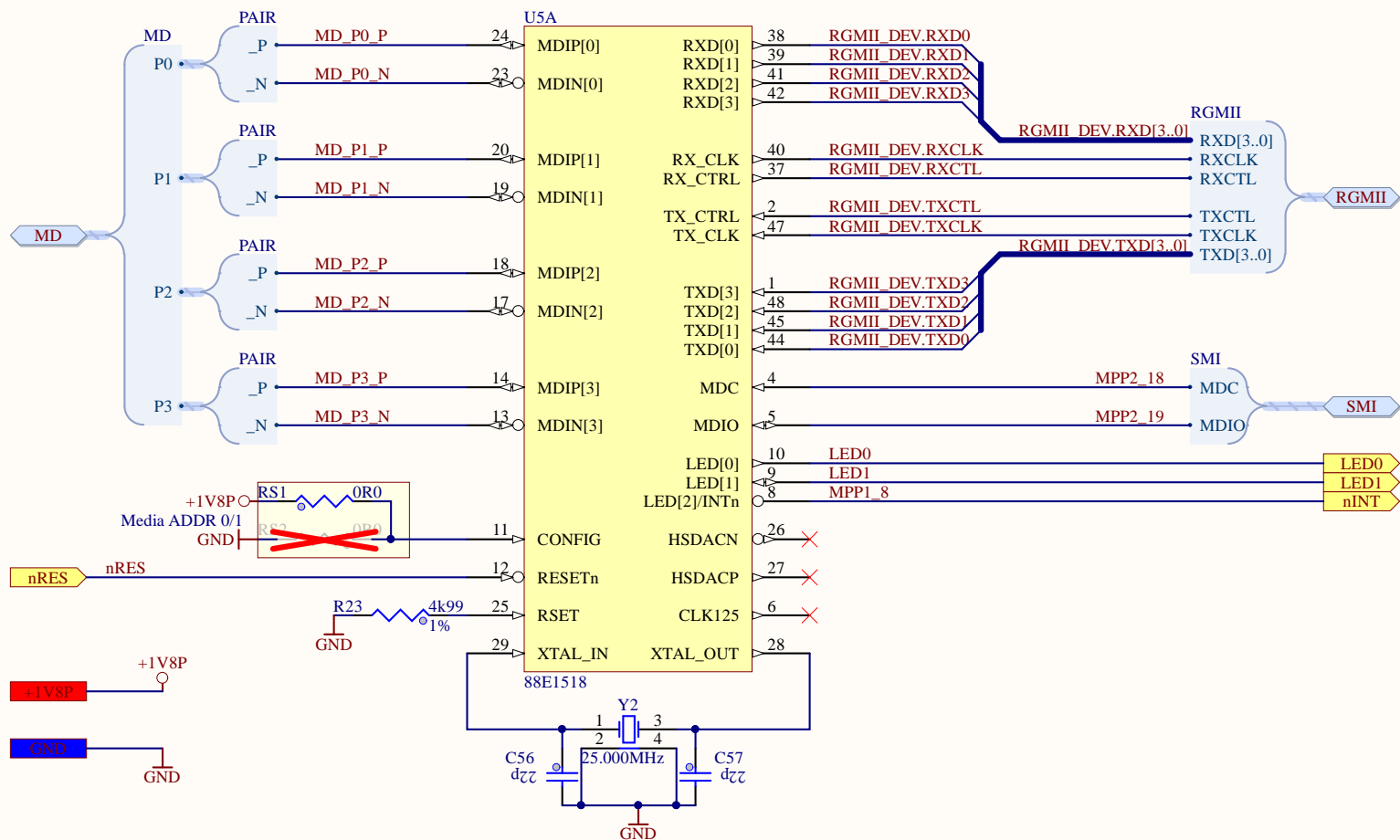
B

C

C

D

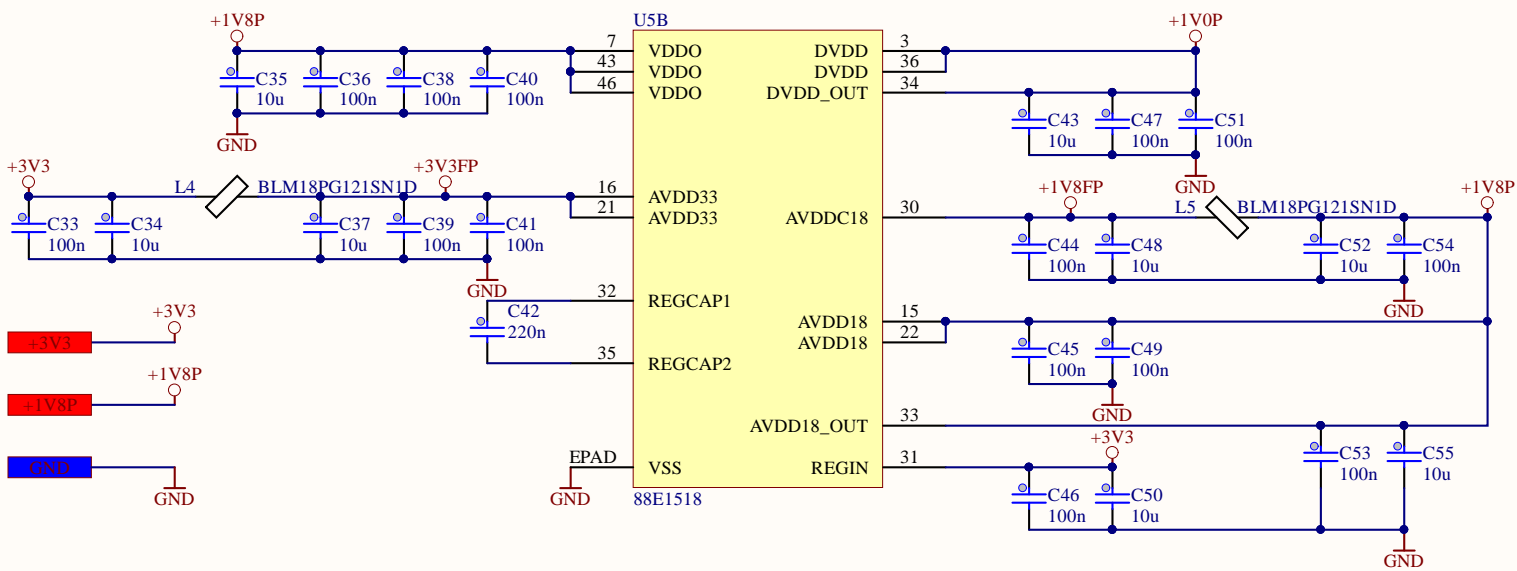
D



Author: Zbyněk Kos & Tomáš Rykl  
 Engineer: Zbyněk Kos  
 Drawn by: Zbyněk Kos & Tomáš Rykl  
 Checked by: Tomáš Rykl  
 Approved by: \*  
<http://www.nic.cz>

Title: **Turris Mox - CPU A - ETH - PHY**  
 Document Number: CZ30NIC220000-18  
 Sheet 18 of 37  
 Name: CZ30NIC\_ETH\_PHY.SchDoc

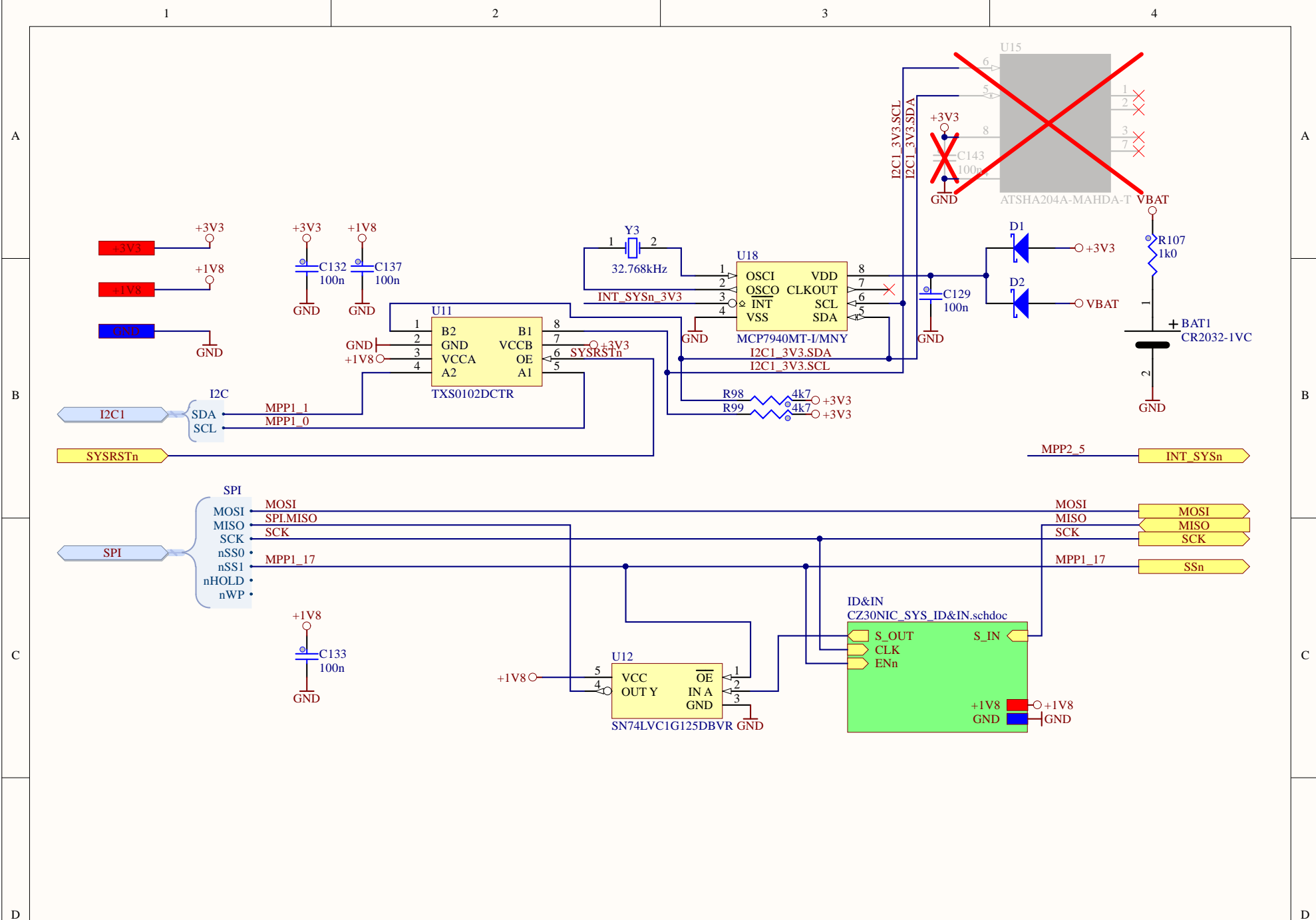
CZ.NIC, z.s.p.o.  
 Milešovská 5  
 130 00 Praha 3



Author: Zbyněk Kos & Tomáš Rykl  
 Engineer: Zbyněk Kos  
 Drawn by: Zbyněk Kos & Tomáš Rykl  
 Checked by: Tomáš Rykl  
 Approved by: \*  
<http://www.nic.cz>

Title: **Turris Mox - CPU A - ETH - PHY - PWR**  
 Document Number: CZ30NIC220000-19  
 Sheet 19 of 37  
 Name: CZ30NIC\_ETH\_PHY\_PWR.SchDoc

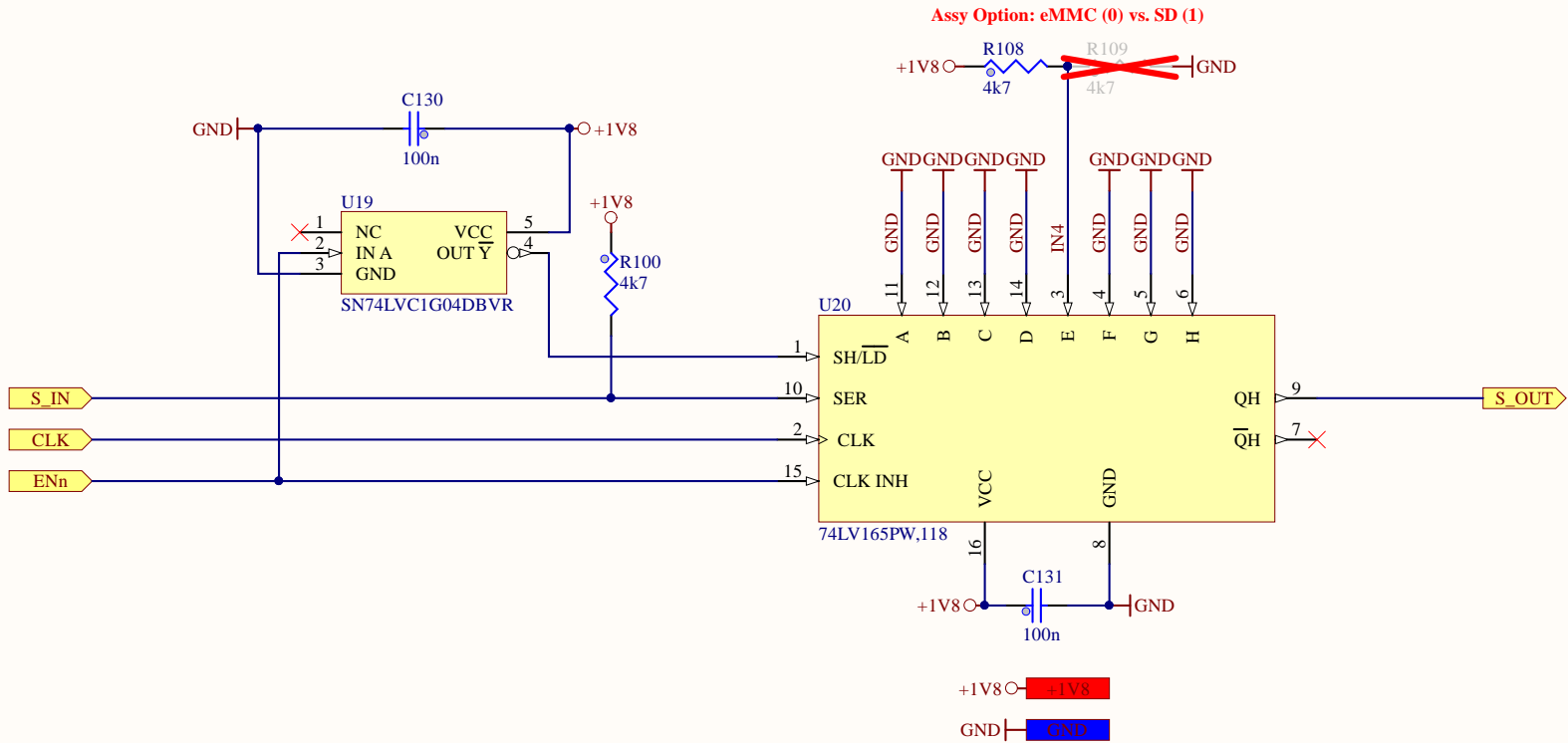
CZ.NIC, z.s.p.o.  
 Milešovská 5  
 130 00 Praha 3  

Author: Zbyněk Kos & Tomáš Rykl  
 Engineer: Zbyněk Kos  
 Drawn by: Zbyněk Kos & Tomáš Rykl  
 Checked by: Tomáš Rykl  
 Approved by: \*  
<http://www.nic.cz>

Title: **Turris Mox - CPU A - SYS&LVS**  
 Document Number: CZ30NIC220000-20  
 Sheet 20 of 37  
 Name: CZ30NIC\_SYS&LVS.SchDoc  
 Revision: 220000  
 Date: \* \*

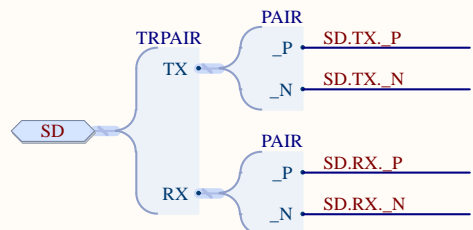
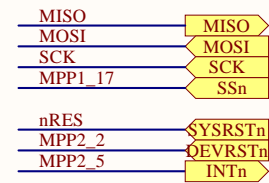
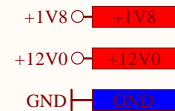
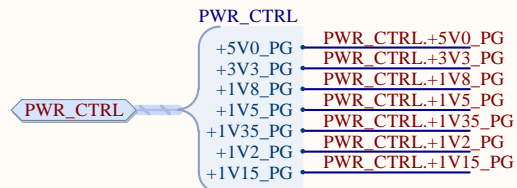
CZ.NIC, z.s.p.o.  
 Milešovská 5  
 130 00 Praha 3



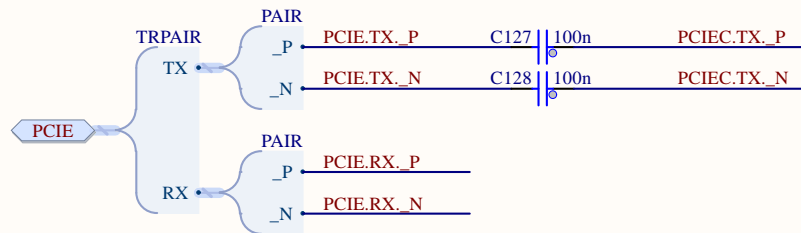
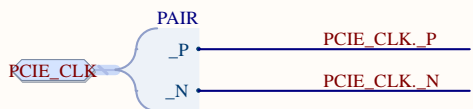
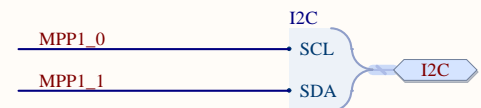
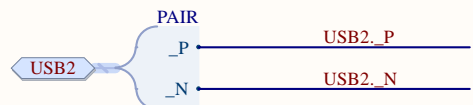
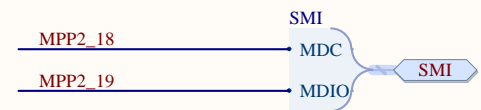
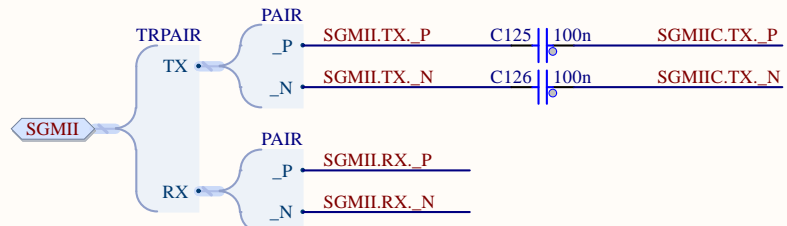
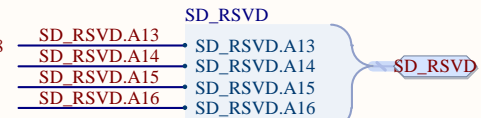
Author: Zbyněk Kos & Tomáš Rykl  
 Engineer: Zbyněk Kos  
 Drawn by: Zbyněk Kos & Tomáš Rykl  
 Checked by: Tomáš Rykl  
 Approved by: \*  
<http://www.nic.cz>

Title: **Turris Mox - CPU A - ID&In**  
 Document Number: CZ30NIC220000-21  
 Sheet 21 of 37  
 Name: CZ30NIC\_SYS\_ID&IN.schdoc  
 Revision: 220000  
 Date: \* \*

CZ.NIC, z.s.p.o.  
 Milešovská 5  
 130 00 Praha 3  

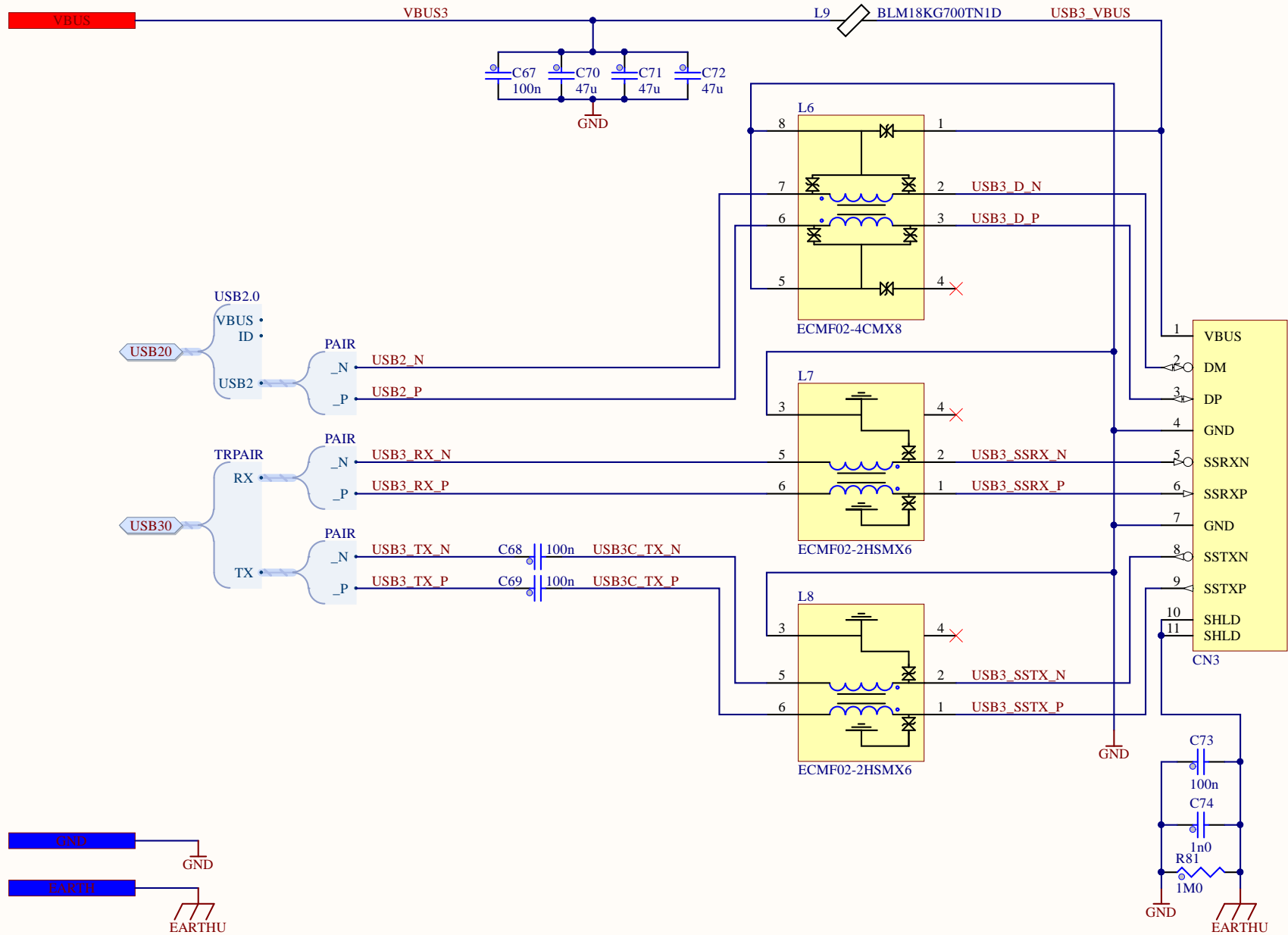
P2		P2	
GND	B1	A1	GND
+12V0	B2	A2	+12V0
+12V0	B3	A3	+12V0
PWR_CTRL.+5V0_PG	B4	A4	MISO
PWR_CTRL.+3V3_PG	B5	A5	MOSI
PWR_CTRL.+1V8_PG	B6	A6	SCK
PWR_CTRL.+1V5_PG	B7	A7	MPP1_17
PWR_CTRL.+1V35_PG	B8	A8	nRES
PWR_CTRL.+1V2_PG	B9	A9	MPP2_2
PWR_CTRL.+1V15_PG	B10	A10	MPP2_5
GND	B11	A11	
GND	B12	A12	GND
SD.RX_P	B13	A13	SD_RSVD.A13
SD.RX_N	B14	A14	SD_RSVD.A14
SD.TX_P	B15	A15	SD_RSVD.A15
SD.TX_N	B16	A16	SD_RSVD.A16
GND	B17	A17	GND
SGMIIC.TX_N	B18	A18	MPP2_18
SGMIIC.TX_P	B19	A19	MPP2_19
SGMIIRX_N	B20	A20	
SGMIIRX_P	B21	A21	
GND	B22	A22	GND
USB2_P	B23	A23	MPP1_0
USB2_N	B24	A24	MPP1_1
PCIE.RX_N	B25	A25	
PCIE.RX_P	B26	A26	
GND	B27	A27	GND
PCIEC.TX_N	B28	A28	MPP2_3
PCIEC.TX_P	B29	A29	MPP2_4
PCIE.CLK_P	B30	A30	
PCIE.CLK_N	B31	A31	
GND	B32	A32	GND
	B32	A32	GND



Author: Zbyněk Kos & Tomáš Rykl  
 Engineer: Zbyněk Kos  
 Drawn by: Zbyněk Kos & Tomáš Rykl  
 Checked by: Tomáš Rykl  
 Approved by: \*  
<http://www.nic.cz>

**Title:** Turris Mox - CPU A - Out CN  
**Document Number:** CZ30NIC220000-22  
**Revision:** 220000  
**Sheet** 22 **of** 37 **Date:** \* \*  
**Name:** CZ30NIC\_SYS\_OUT\_CN.SchDoc

CZ.NIC, z.s.p.o.  
 Milešovská 5  
 130 00 Praha 3

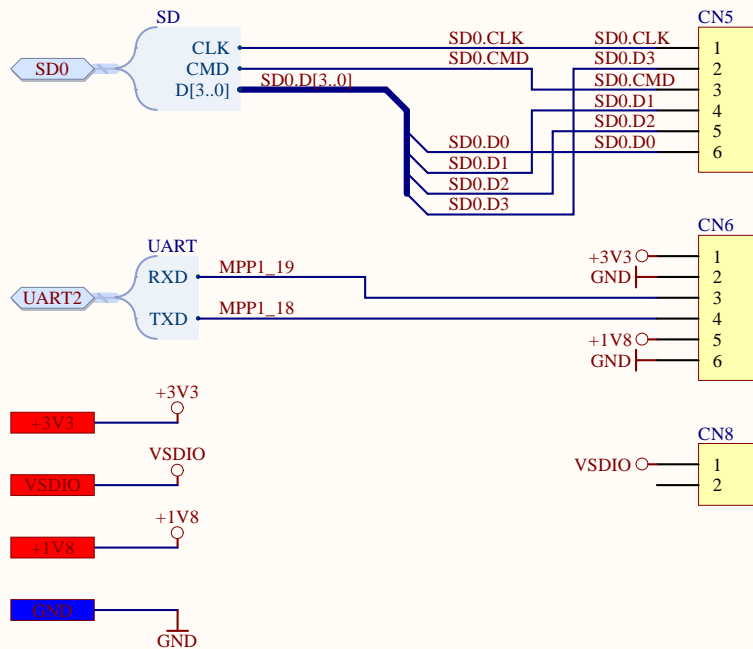


Author: Zbyněk Kos & Tomáš Rykl  
 Engineer: Zbyněk Kos  
 Drawn by: Zbyněk Kos & Tomáš Rykl  
 Checked by: Tomáš Rykl  
 Approved by: \*  
<http://www.nic.cz>

Title: **Turris Mox - CPU A - USB3**

Document Number: CZ30NIC220000-23      Revision: 220000  
 Sheet 23 of 37      Date: \*      \*  
 Name: CZ30NIC\_USB3.SchDoc

CZ.NIC, z.s.p.o.  
 Milešovská 5  
 130 00 Praha 3  

Author: Zbyněk Kos & Tomáš Rykl  
 Engineer: Zbyněk Kos  
 Drawn by: Zbyněk Kos & Tomáš Rykl  
 Checked by: Tomáš Rykl  
 Approved by: \*  
<http://www.nic.cz>

Title: **Turris Mox - CPU A - WiFi**  
 Document Number: CZ30NIC220000-24 Revision: 220000  
 Sheet 24 of 37 Date: \* \*  
 Name: CZ30NIC\_WiFi.SchDoc

CZ.NIC, z.s.p.o.  
 Milešovská 5  
 130 00 Praha 3



A

A

B

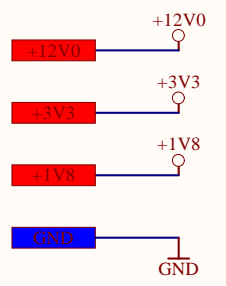
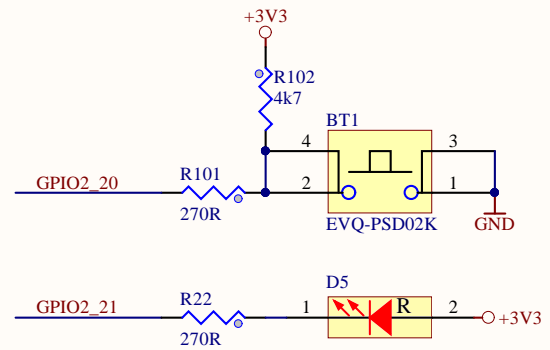
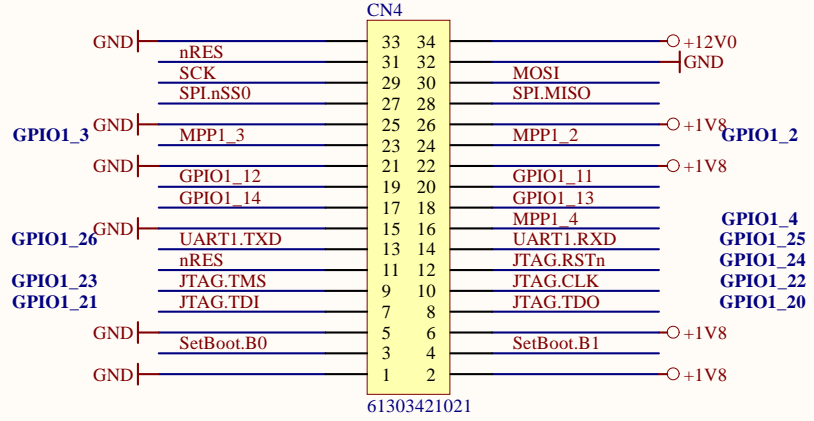
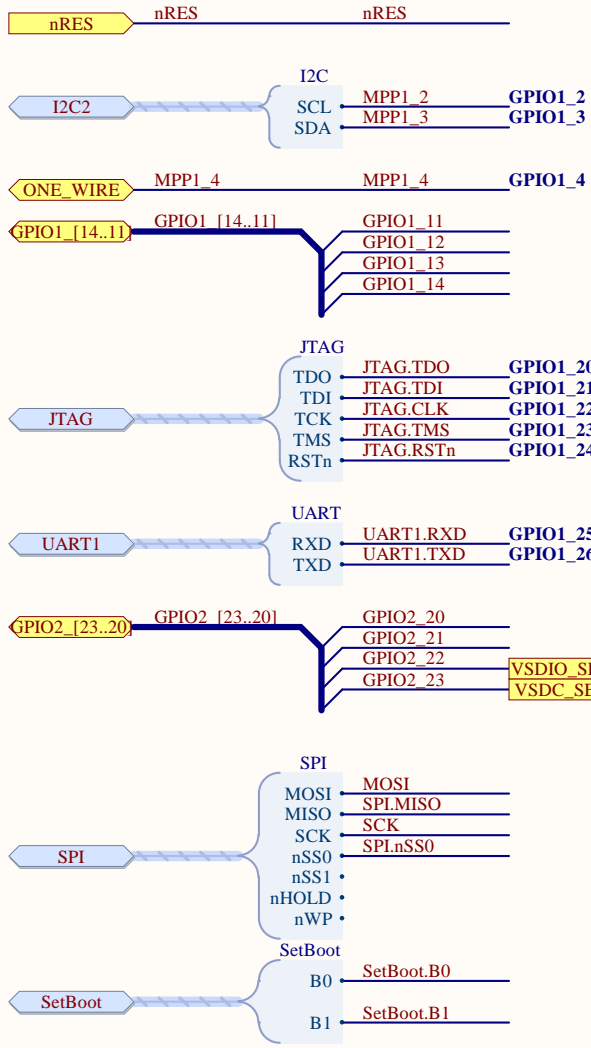
B

C

C

D

D

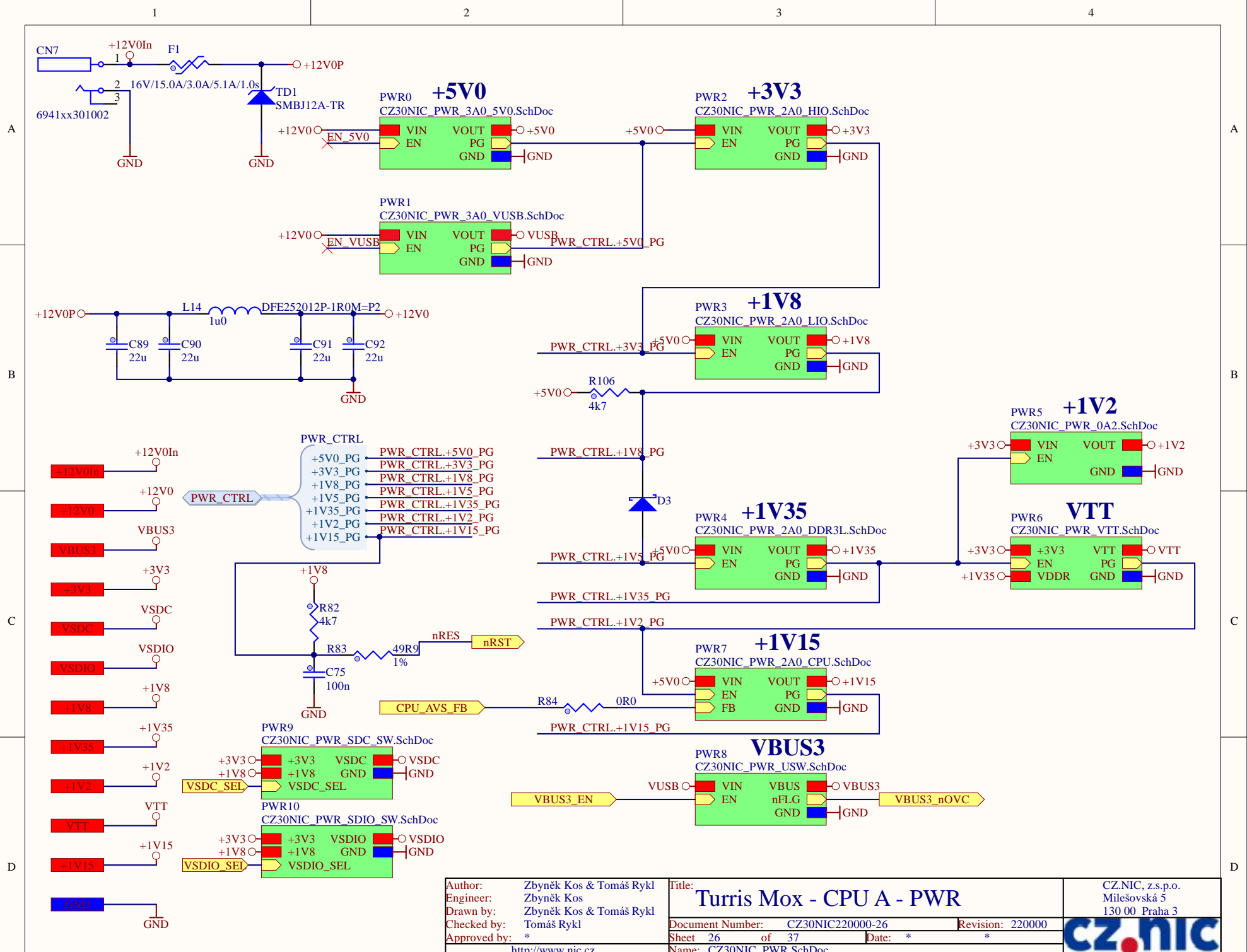


Author: Zbyněk Kos & Tomáš Rykl  
 Engineer: Zbyněk Kos  
 Drawn by: Zbyněk Kos & Tomáš Rykl  
 Checked by: Tomáš Rykl  
 Approved by: \*  
<http://www.nic.cz>

Title: **Turris Mox - CPU A - PER**

Document Number: CZ30NIC220000-25 Revision: 220000  
 Sheet 25 of 37 Date: \* \*  
 Name: CZ30NIC\_PER.SchDoc

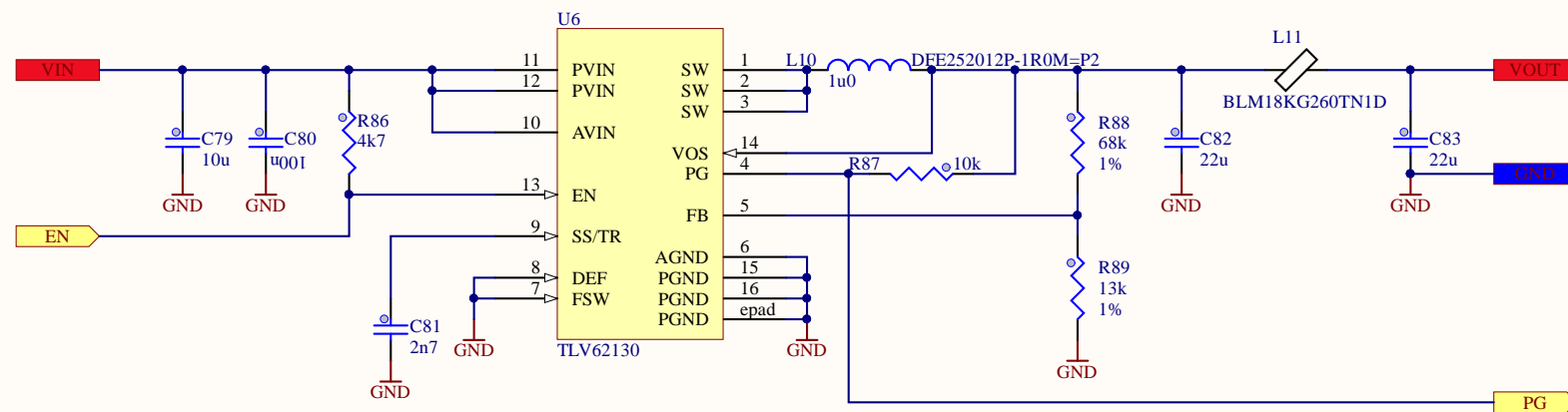
CZ.NIC, z.s.p.o.  
 Milešovská 5  
 130 00 Praha 3



Author: Zbyněk Kos & Tomáš Rykl  
 Engineer: Zbyněk Kos  
 Drawn by: Zbyněk Kos & Tomáš Rykl  
 Checked by: Tomáš Rykl  
 Approved by: \*  
<http://www.nic.cz>

Title: **Turris Mox - CPU A - PWR**  
 Document Number: CZ30NIC220000-26  
 Sheet 26 of 37  
 Name: CZ30NIC\_PWR.SchDoc  
 Revision: 220000  
 Date: \* \* \*

CZ.NIC, z.s.p.o.  
 Milešovská 5  
 130 00 Praha 3



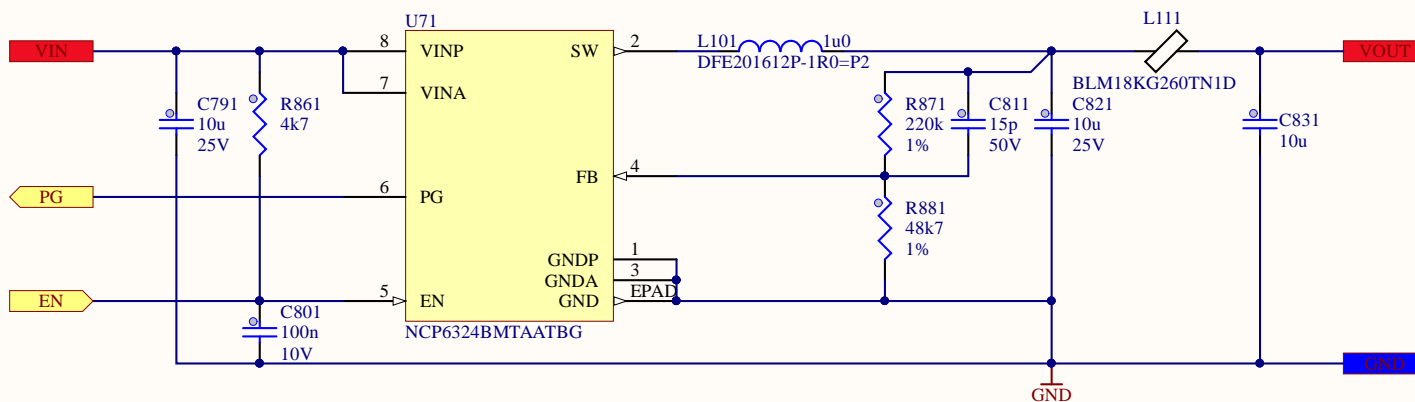
Author: Zbyněk Kos & Tomáš Rykl  
 Engineer: Zbyněk Kos  
 Drawn by: Zbyněk Kos & Tomáš Rykl  
 Checked by: Tomáš Rykl  
 Approved by: \*  
<http://www.nic.cz>

Title: **Turris Mox - CPU A - PWR - 5V0**  
 Document Number: CZ30NIC220000-27  
 Sheet 27 of 37  
 Name: CZ30NIC\_PWR\_3A0\_5V0.SchDoc  
 Revision: 220000  
 Date: \* \*

CZ.NIC, z.s.p.o.  
 Milešovská 5  
 130 00 Praha 3  




Vout	Vfb	R1	R2
3,3	0,6	220000	48889
1,8	0,6	220000	110000
1,5	0,6	270000	180000
1,35	0,6	220000	176000
1,2	0,6	220000	220000
1,15	0,6	220000	240000



Author: Zbyněk Kos & Tomáš Rykl  
 Engineer: Zbyněk Kos  
 Drawn by: Zbyněk Kos & Tomáš Rykl  
 Checked by: Tomáš Rykl  
 Approved by: \*  
<http://www.nic.cz>

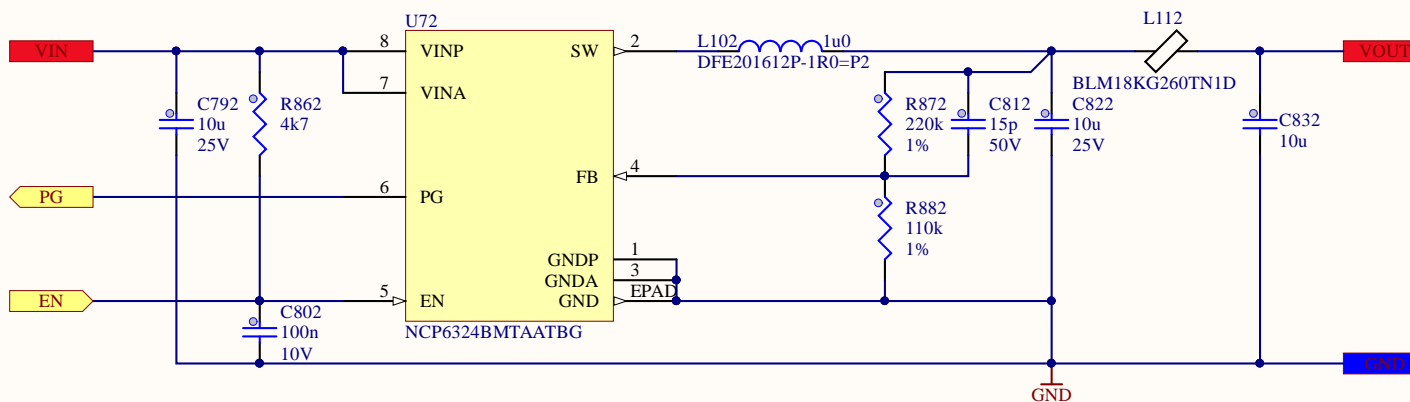
Title: **Turris Mox - CPU A - PWR - 3V3**

Document Number: CZ30NIC220000-29 Revision: 220000  
 Sheet 29 of 37 Date: \* \*  
 Name: CZ30NIC\_PWR\_2A0\_HIO.SchDoc

CZ.NIC, z.s.p.o.  
 Milešovská 5  
 130 00 Praha 3



Vout	Vfb	R1	R2
3,3	0,6	220000	48889
1,8	0,6	220000	110000
1,5	0,6	270000	180000
1,35	0,6	220000	176000
1,2	0,6	220000	220000
1,15	0,6	220000	240000



Author: Zbyněk Kos & Tomáš Rykl  
 Engineer: Zbyněk Kos  
 Drawn by: Zbyněk Kos & Tomáš Rykl  
 Checked by: Tomáš Rykl  
 Approved by: \*  
<http://www.nic.cz>

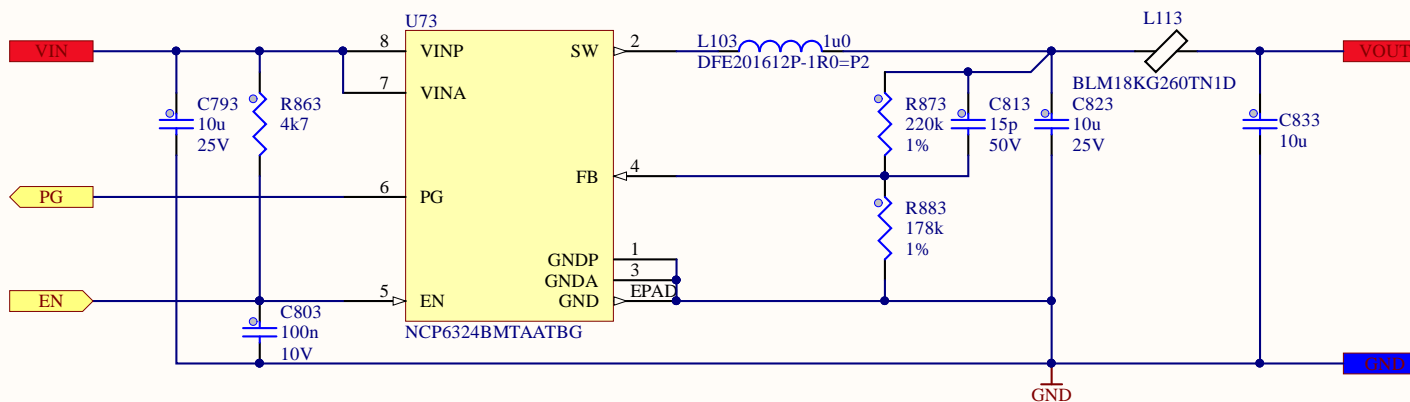
Title: **Turris Mox - CPU A - PWR - 1V8**

Document Number: CZ30NIC220000-30 Revision: 220000  
 Sheet 30 of 37 Date: \* \*  
 Name: CZ30NIC\_PWR\_2A0\_LIO.SchDoc

CZ.NIC, z.s.p.o.  
 Milešovská 5  
 130 00 Praha 3



Vout	Vfb	R1	R2
3,3	0,6	220000	48889
1,8	0,6	220000	110000
1,5	0,6	270000	180000
1,35	0,6	220000	176000
1,2	0,6	220000	220000
1,15	0,6	220000	240000



Author: Zbyněk Kos & Tomáš Rykl  
 Engineer: Zbyněk Kos  
 Drawn by: Zbyněk Kos & Tomáš Rykl  
 Checked by: Tomáš Rykl  
 Approved by: \*  
<http://www.nic.cz>

Title: **Turris Mox - CPU A - PWR - 1V35**  
 Document Number: CZ30NIC220000-31  
 Sheet 31 of 37  
 Name: CZ30NIC\_PWR\_2A0\_DDR3L.SchDoc

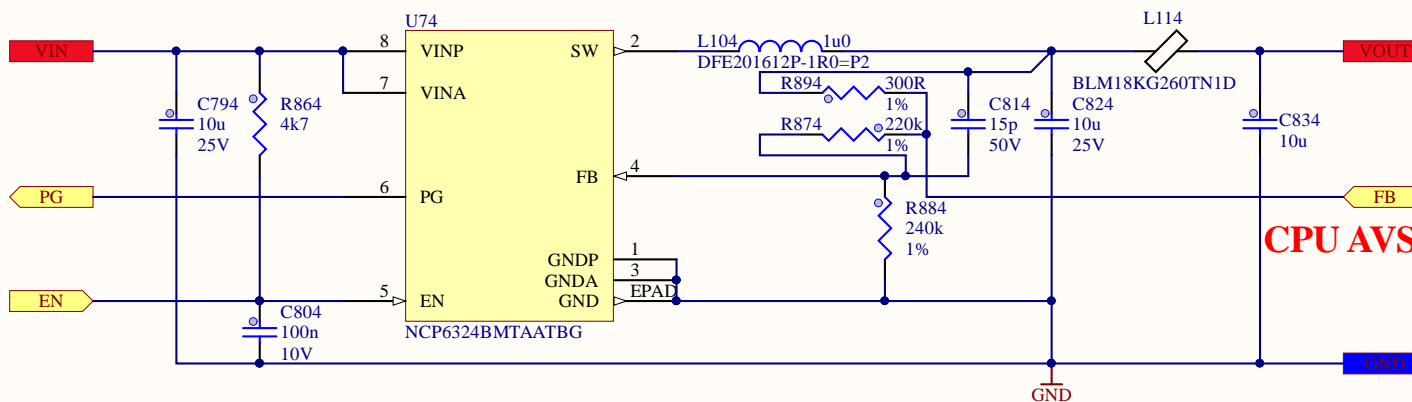
Revision: 220000

Date: \* \*

CZ.NIC, z.s.p.o.  
 Milešovská 5  
 130 00 Praha 3



Vout	Vfb	R1	R2
3,3	0,6	220000	48889
1,8	0,6	220000	110000
1,5	0,6	270000	180000
1,35	0,6	220000	176000
1,2	0,6	220000	220000
1,15	0,6	220000	240000



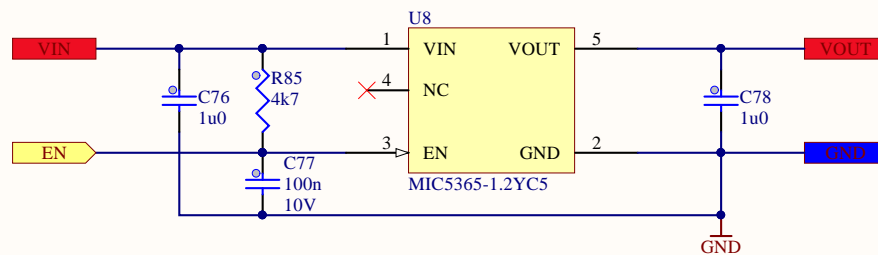
Author: Zbyněk Kos & Tomáš Rykl  
 Engineer: Zbyněk Kos  
 Drawn by: Zbyněk Kos & Tomáš Rykl  
 Checked by: Tomáš Rykl  
 Approved by: \*  
<http://www.nic.cz>

Title: **Turris Mox - CPU A - PWR - 1V15**  
 Document Number: CZ30NIC220000-32  
 Sheet 32 of 37  
 Name: CZ30NIC\_PWR\_2A0\_CPU.SchDoc

CZ.NIC, z.s.p.o.  
 Míšeňská 5  
 130 00 Praha 3





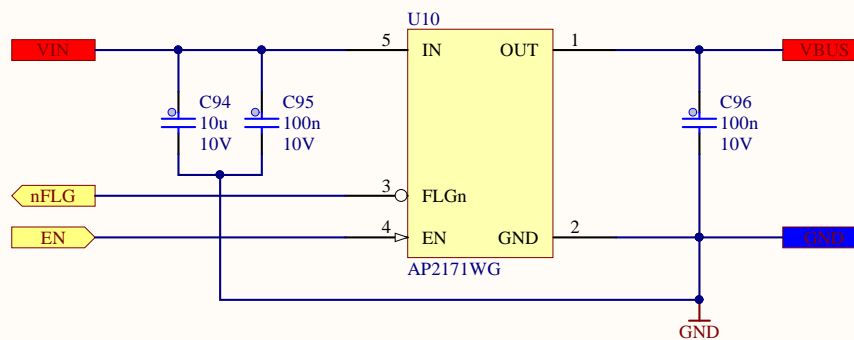


Author: Zbyněk Kos & Tomáš Rykl  
 Engineer: Zbyněk Kos  
 Drawn by: Zbyněk Kos & Tomáš Rykl  
 Checked by: Tomáš Rykl  
 Approved by: \*  
<http://www.nic.cz>

Title: **Turris Mox - CPU A - PWR - 1V2**  
 Document Number: CZ30NIC220000-33 Revision: 220000  
 Sheet 33 of 37 Date: \* \*  
 Name: CZ30NIC\_PWR\_0A2.SchDoc

CZ.NIC, z.s.p.o.  
 Milešovská 5  
 130 00 Praha 3

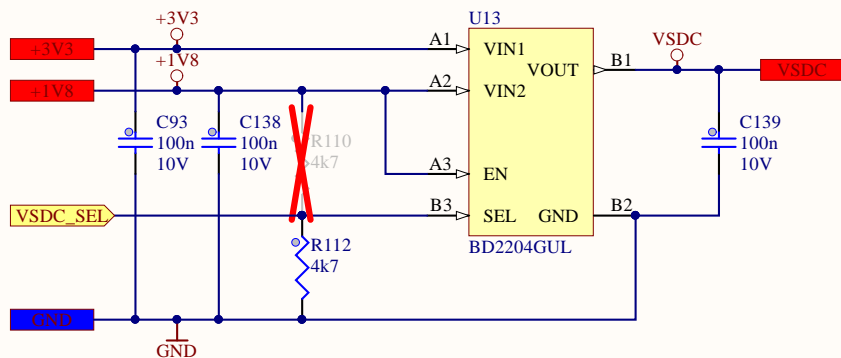




Author: Zbyněk Kos & Tomáš Rykl  
 Engineer: Zbyněk Kos  
 Drawn by: Zbyněk Kos & Tomáš Rykl  
 Checked by: Tomáš Rykl  
 Approved by: \*  
<http://www.nic.cz>

Title: **Turris Mox - CPU A - PWR - USW**  
 Document Number: CZ30NIC220000-35 Revision: 220000  
 Sheet 35 of 37 Date: \* \*  
 Name: CZ30NIC\_PWR\_USW.SchDoc

CZ.NIC, z.s.p.o.  
 Milešovská 5  
 130 00 Praha 3  

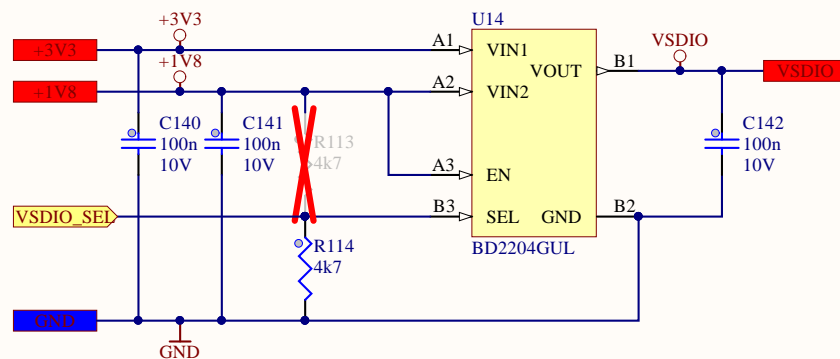



Author: Zbyněk Kos & Tomáš Rykl  
 Engineer: Zbyněk Kos  
 Drawn by: Zbyněk Kos & Tomáš Rykl  
 Checked by: Tomáš Rykl  
 Approved by: \*  
<http://www.nic.cz>

Title: **Turris Mox - CPU A - PWR - SDC SW**  
 Document Number: CZ30NIC220000-36  
 Sheet 36 of 37  
 Name: CZ30NIC\_PWR\_SDC\_SW.SchDoc

CZ.NIC, z.s.p.o.  
 Milešovská 5  
 130 00 Praha 3





Author: Zbyněk Kos & Tomáš Rykl  
 Engineer: Zbyněk Kos  
 Drawn by: Zbyněk Kos & Tomáš Rykl  
 Checked by: Tomáš Rykl  
 Approved by: \*  
<http://www.nic.cz>

Title: **Turris Mox - CPU A - PWR - SDIO SW**  
 Document Number: CZ30NIC220000-37  
 Sheet 37 of 37  
 Name: CZ30NIC\_PWR\_SDIO\_SW.SchDoc

CZ.NIC, z.s.p.o.  
 Milešovská 5  
 130 00 Praha 3

